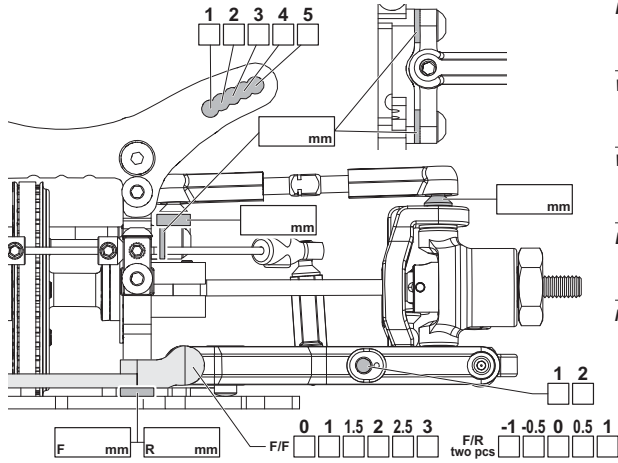


Name	Date	Event	Track	Track Condition Asphalt (Indoor/Outdoor) Carpet Low Medium High Bumpy Smooth	Temperature Air Track
------	------	-------	-------	---	------------------------------

Front



Front Diff
 Diff
 Spool
 One-way

Wheels Hubs
 4.5mm (114535)
 5.0mm (114536)
 6.0mm (72036)

Wheel Spacer _____ mm

Bearing Holder
 05 Up
 0
 05 Down

Notes _____

Ride Height _____ mm

Camber _____ °

Caster _____ °

Toe _____ °

Droop _____ mm

Sway Bar
 1.2mm
 1.3mm
 1.4mm

Shocks

Oil _____

Piston _____

Hole Diameter _____ mm

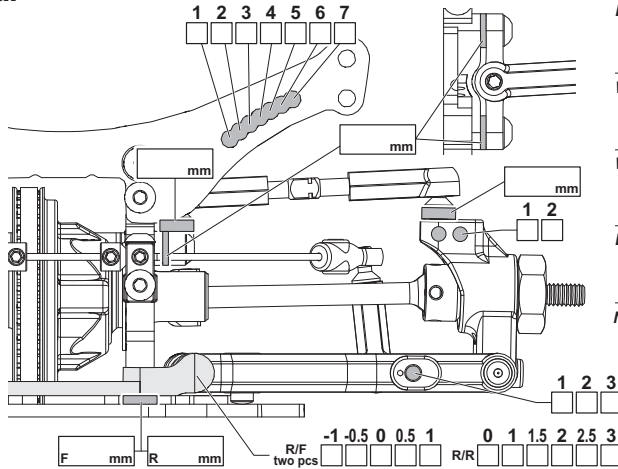
Nbr of holes: 1 2 3

Bladder _____

Spring _____

Notes _____

Rear



Diff Oil _____

Wheel Hubs
 4.5mm (114535)
 5.0mm (114536)
 6.0mm (72036)

Wheel Spacer _____ mm

Bearing Holder
 25 Up
 0
 25 Down

Notes _____

Ride Height _____ g

Camber _____ °

Droop _____ mm

Sway Bar
 1.2mm
 1.3mm
 1.4mm

Shocks

Oil _____

Piston _____

Hole Diameter _____ mm

Nbr of holes: 1 2 3

Bladder _____

Spring _____

Notes _____

Notes Chassis _____ Top Desk _____

Motor _____

Spur _____ **Pitch** _____

Pinion _____ **Pitch** _____

Battery _____

ESC _____

ESC Setting _____

Body _____

Wing _____

Tires	Front	Rear
Brand	_____	_____
Compound	_____	_____
Insert	_____	_____
Wheel	_____	_____
Additive	_____	_____
Notes	_____	_____