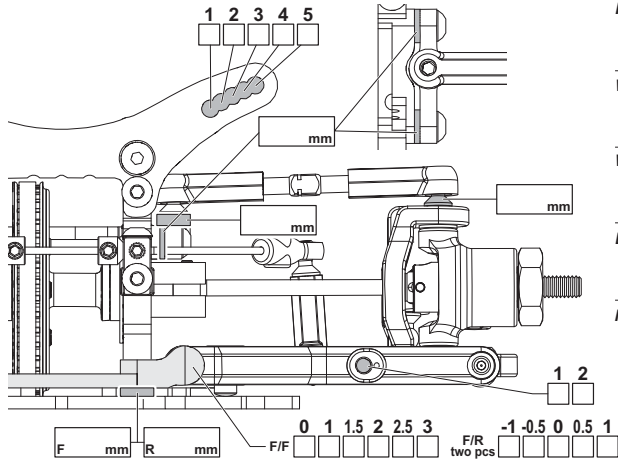


Name	Date	Event	Track	Track Condition Asphalt (Indoor/Outdoor) Carpet Low Medium High Bumpy Smooth	Temperature	Air Track
------	------	-------	-------	---	-------------	--------------

## Front



**Front Diff**  Diff  Spool  One-way

**Wheels Hubs**  4.5mm (114535)  5.0mm (114536)  6.0mm (72036)

**Wheel Spacer** \_\_\_\_\_ mm

**Bearing Holder**  05 Up  0  05 Down

**Notes** \_\_\_\_\_

**Ride Height** \_\_\_\_\_ mm

**Camber** \_\_\_\_\_ °

**Caster** \_\_\_\_\_ °

**Toe** \_\_\_\_\_ °

**Droop** \_\_\_\_\_ mm

**Sway Bar**  1.2mm  1.3mm  1.4mm

### Shocks

**Oil** \_\_\_\_\_

**Piston** \_\_\_\_\_

**Hole Diameter** \_\_\_\_\_ mm

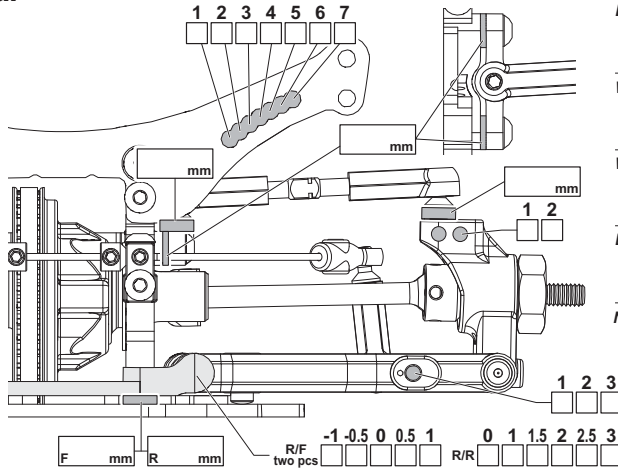
**Nbr of holes:**  1  2  3

**Bladder** \_\_\_\_\_

**Spring** \_\_\_\_\_

**Notes** \_\_\_\_\_

## Rear



**Diff Oil** \_\_\_\_\_

**Wheel Hubs**  4.5mm (114535)  5.0mm (114536)  6.0mm (72036)

**Wheel Spacer** \_\_\_\_\_ mm

**Bearing Holder**  25 Up  0  25 Down

**Notes** \_\_\_\_\_

**Ride Height** \_\_\_\_\_ g

**Camber** \_\_\_\_\_ °

**Droop** \_\_\_\_\_ mm

**Sway Bar**  1.2mm  1.3mm  1.4mm

### Shocks

**Oil** \_\_\_\_\_

**Piston** \_\_\_\_\_

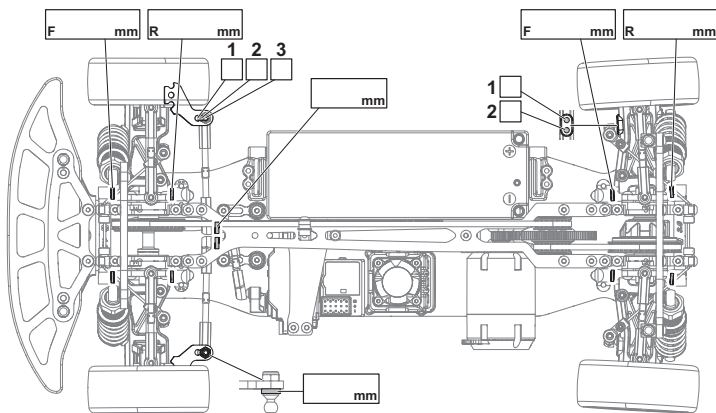
**Hole Diameter** \_\_\_\_\_ mm

**Nbr of holes:**  1  2  3

**Bladder** \_\_\_\_\_

**Spring** \_\_\_\_\_

**Notes** \_\_\_\_\_



**Motor** \_\_\_\_\_

**Spur** \_\_\_\_\_ **Pitch** \_\_\_\_\_

**Pinion** \_\_\_\_\_ **Pitch** \_\_\_\_\_

**Battery** \_\_\_\_\_


**ESC** \_\_\_\_\_

**ESC Setting** \_\_\_\_\_

**Body** \_\_\_\_\_

**Wing** \_\_\_\_\_

Tires	Front	Rear
<b>Brand</b>	_____	_____
<b>Compound</b>	_____	_____
<b>Insert</b>	_____	_____
<b>Wheel</b>	_____	_____
<b>Additive</b>	_____	_____
<b>Notes</b>	_____	_____



Notes