

H4 Touring Car Setup Sheet



Name: _____

Date: _____

City: _____

Event: _____

Track: _____

Track Conditions

Indoor Outdoor

Asphalt Carpet Other: _____

Low Medium High Air Temp: _____

Bumpy Medium Smooth Humidity: _____

Front Suspension

Ride Height _____ mm

Camber _____ °

Caster _____ °

Anti-Roll Bar
 1.1 1.3 1.5 mm

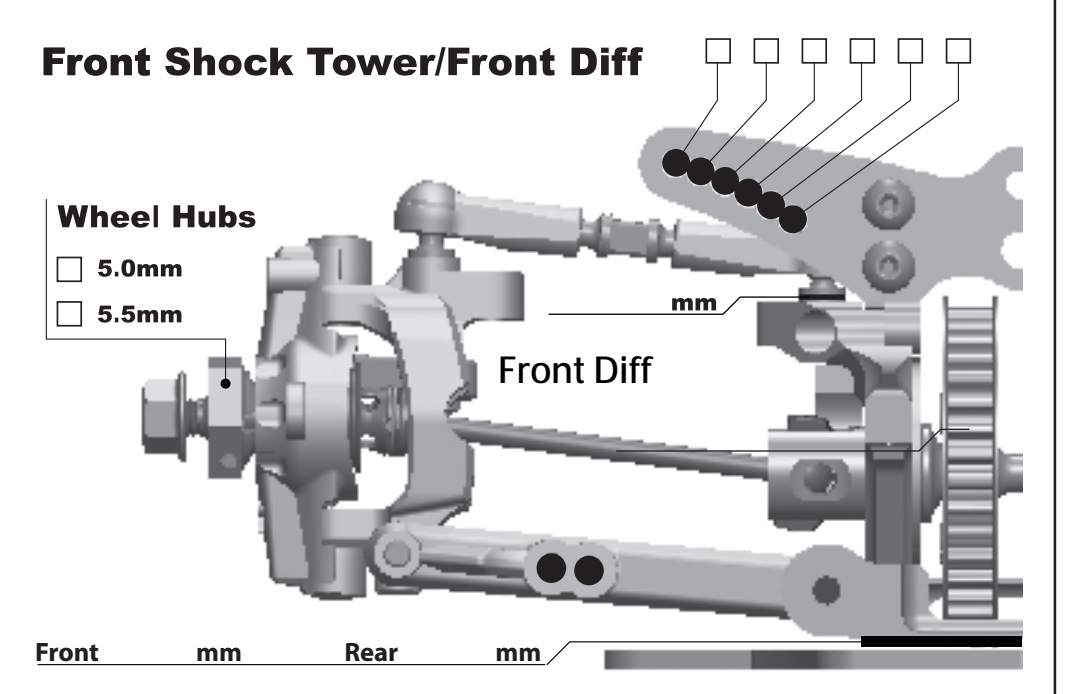
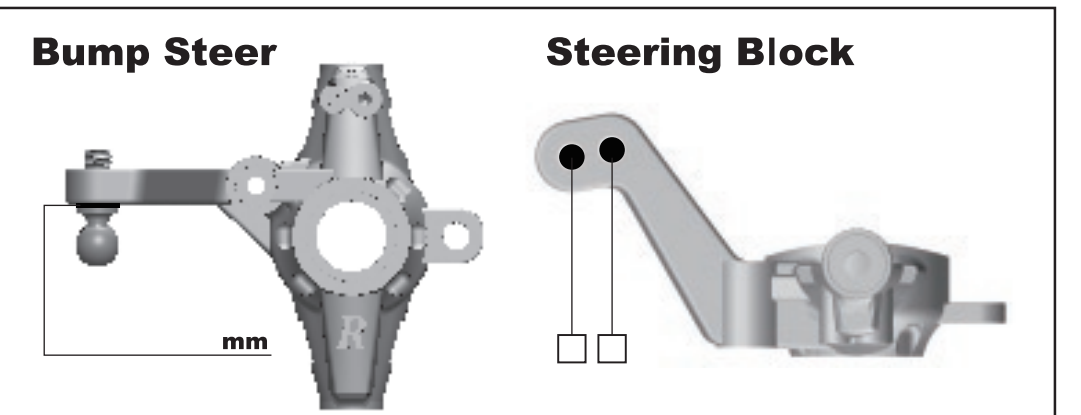
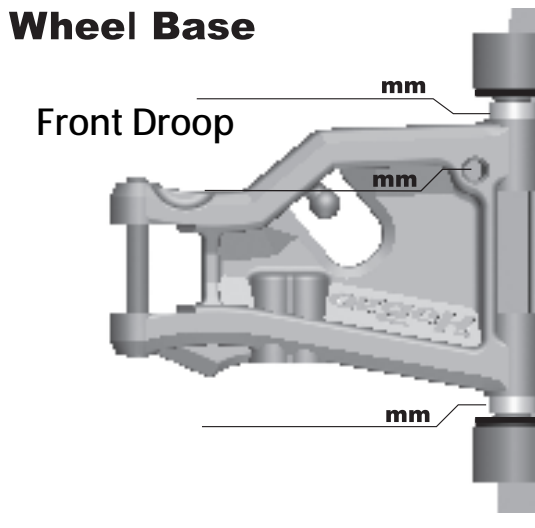
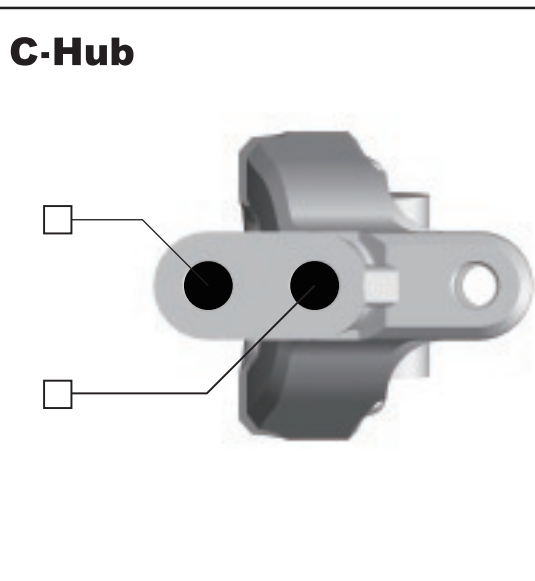
Toe _____ °

Shock Absorber

Oil _____

Piston 1.2 1.3

Spring
 S (Gray) M (White) H (Green)



Rear Suspension

Ride Height _____ mm

Camber _____ °

Caster _____ °

Anti-Roll Bar
 1.1 1.3 1.5 mm

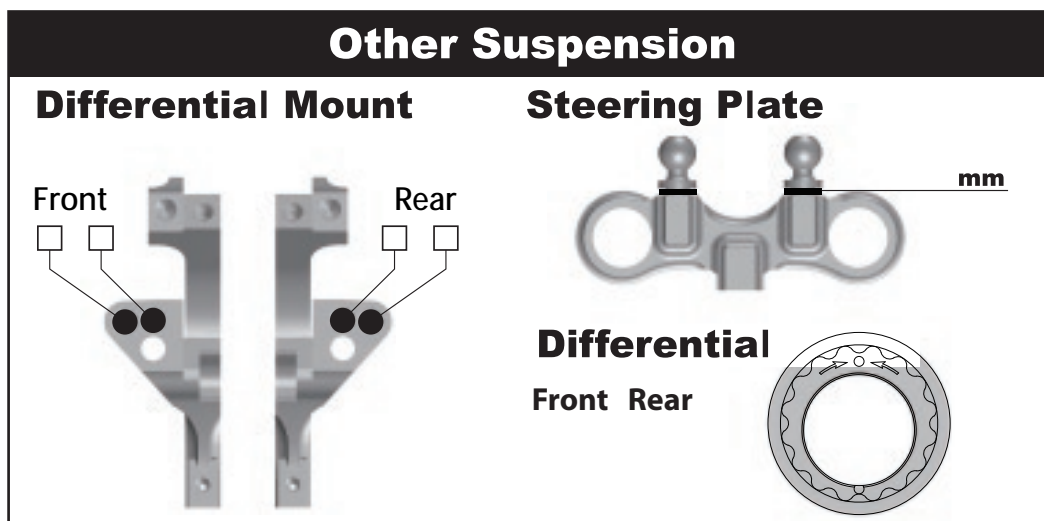
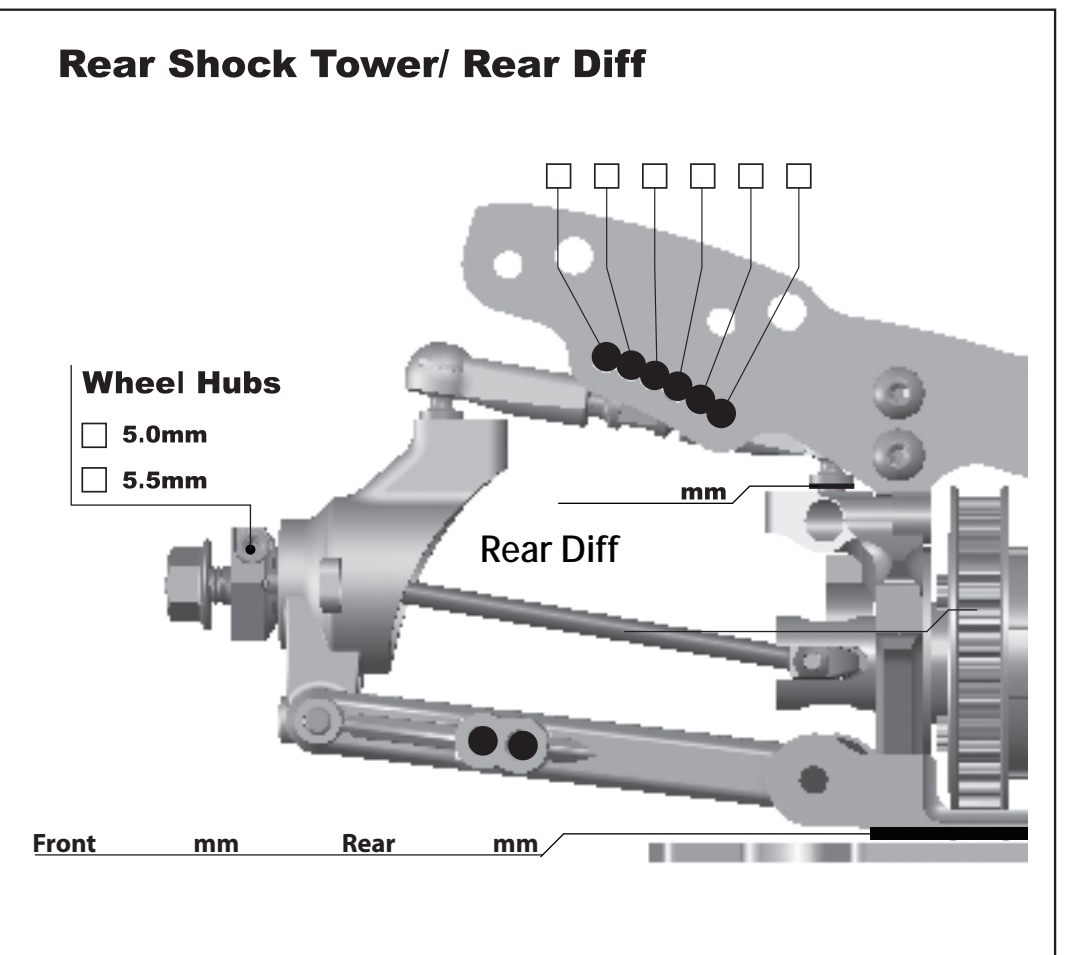
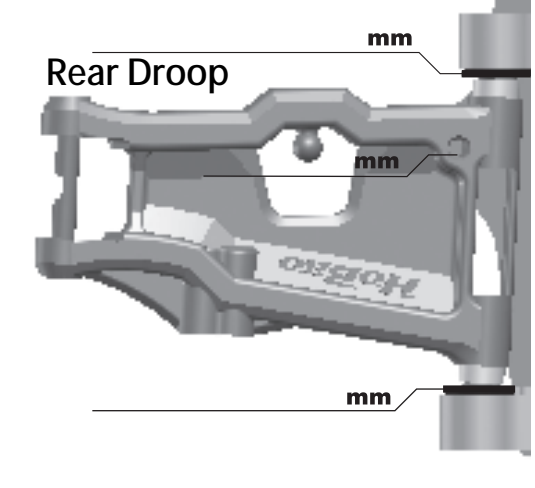
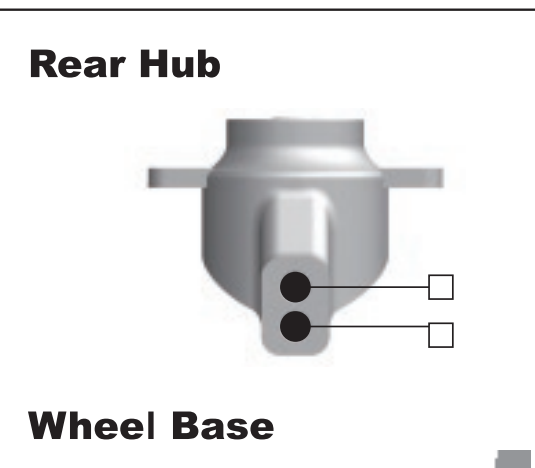
Toe _____ °

Shock Absorber

Oil _____

Piston 1.2 1.3

Spring
 S (Gray) M (White) H (Green)



Front		Rear	
		Tire	
		Wheel	
		Insert	
		Tire Treatment	
		Compound	
FL	FR	Treated Area	FL FR