

# H4 Touring Car Setup Sheet



**Name:** \_\_\_\_\_

**Date:** \_\_\_\_\_

**City:** \_\_\_\_\_

**Event:** \_\_\_\_\_

**Track:** \_\_\_\_\_

**Track Conditions**

Indoor     Outdoor

Asphalt     Carpet     Other: \_\_\_\_\_

Low     Medium     High    Air Temp: \_\_\_\_\_

Bumpy     Medium     Smooth    Humidity: \_\_\_\_\_

**Front Suspension**

Ride Height \_\_\_\_\_ mm

Camber \_\_\_\_\_ °

Caster \_\_\_\_\_ °

Anti-Roll Bar  
 1.1     1.3     1.5 mm

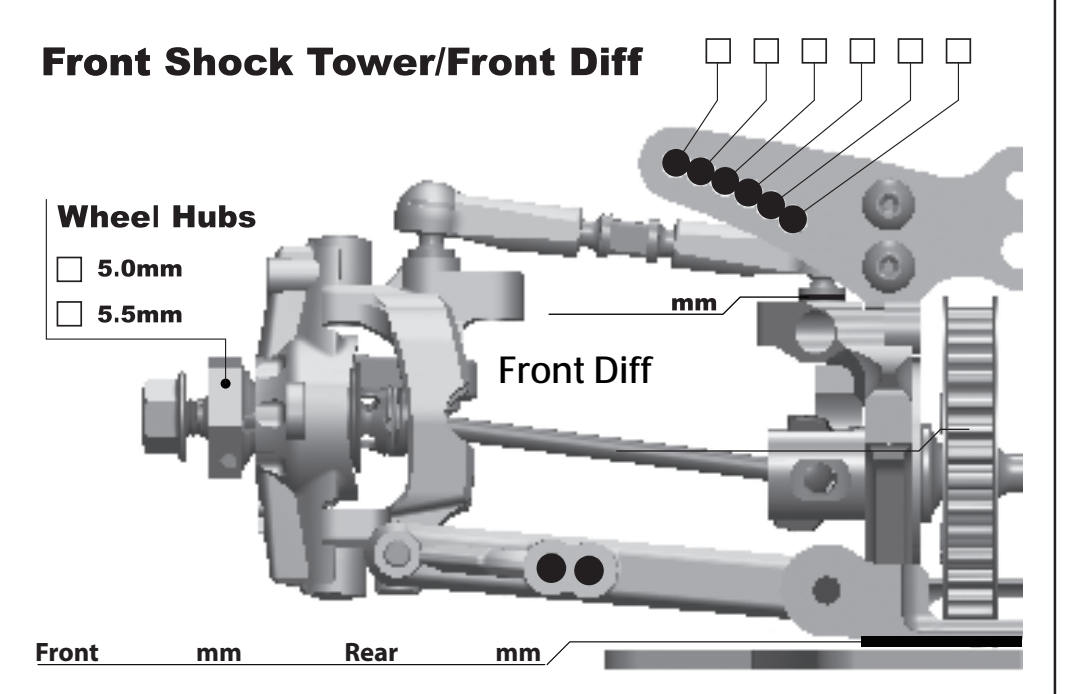
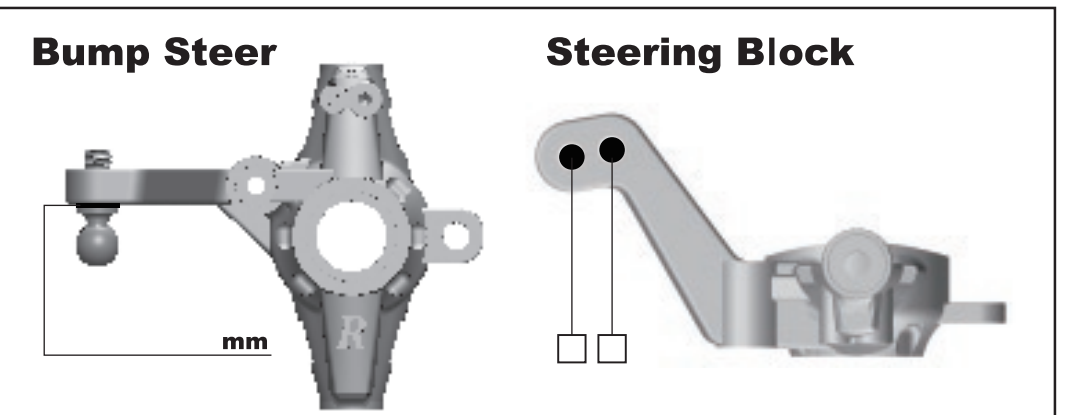
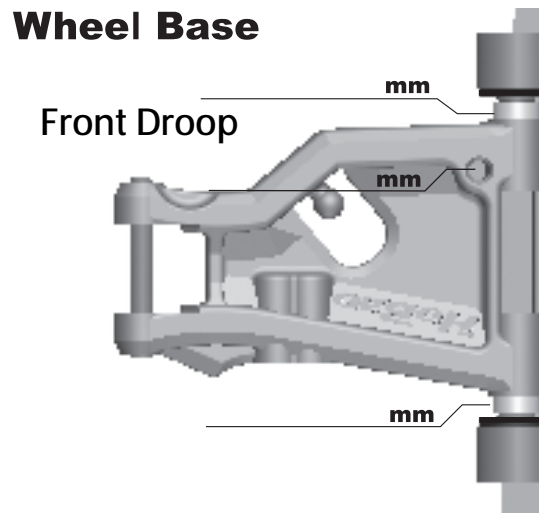
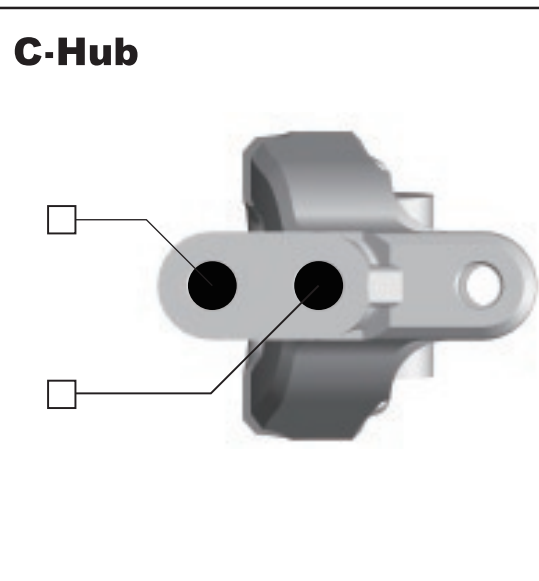
Toe \_\_\_\_\_ °

**Shock Absorber**

Oil \_\_\_\_\_

Piston     1.2     1.3

Spring  
 S (Gray)     M (White)     H (Green)



**Rear Suspension**

Ride Height \_\_\_\_\_ mm

Camber \_\_\_\_\_ °

Caster \_\_\_\_\_ °

Anti-Roll Bar  
 1.1     1.3     1.5 mm

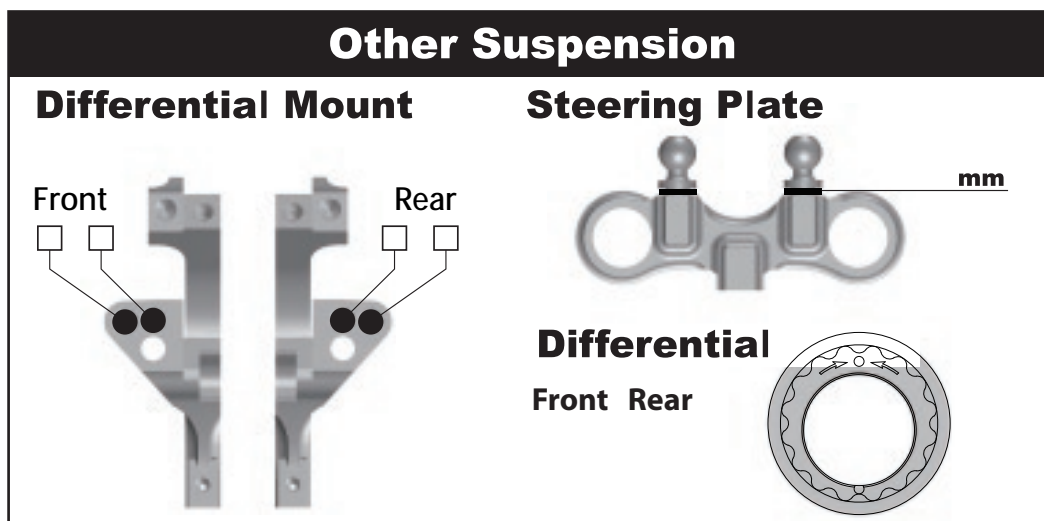
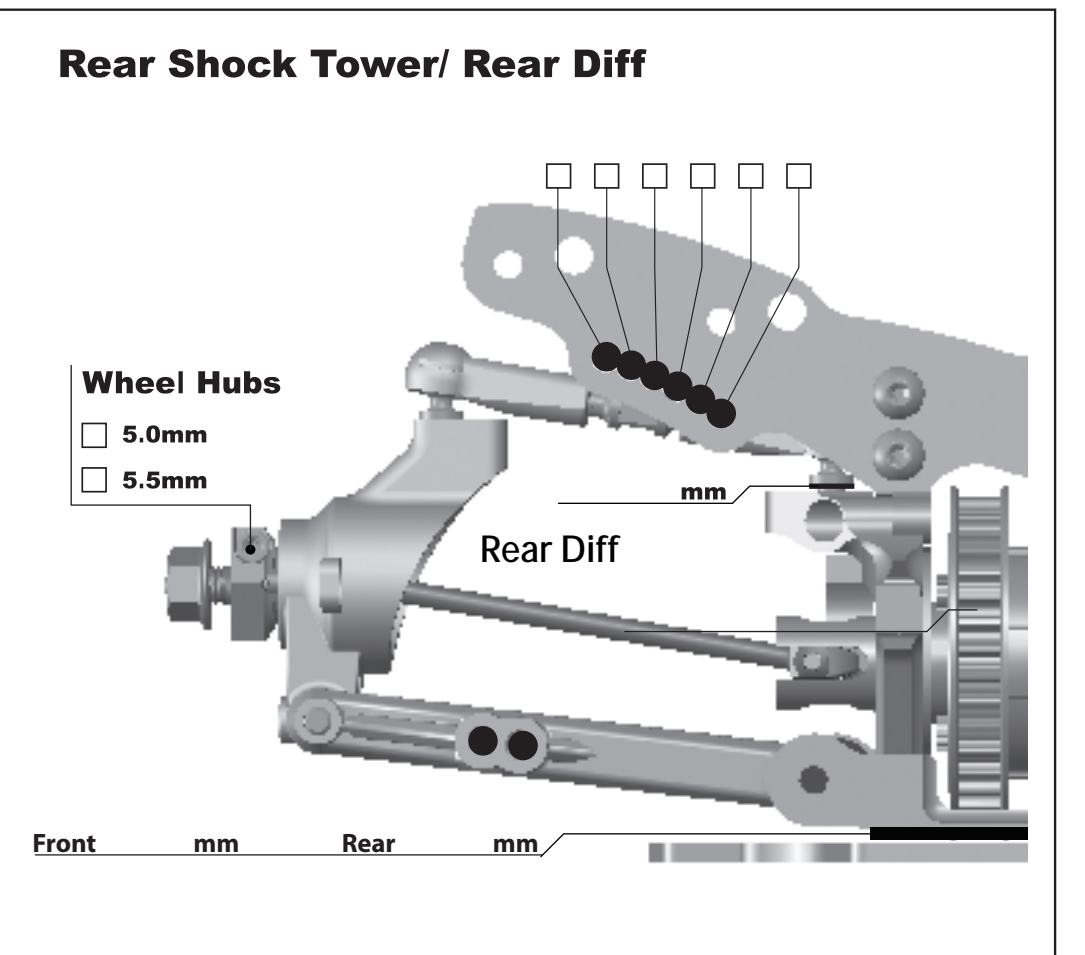
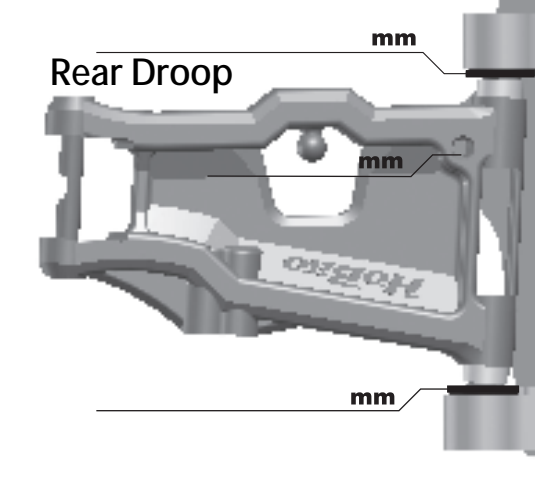
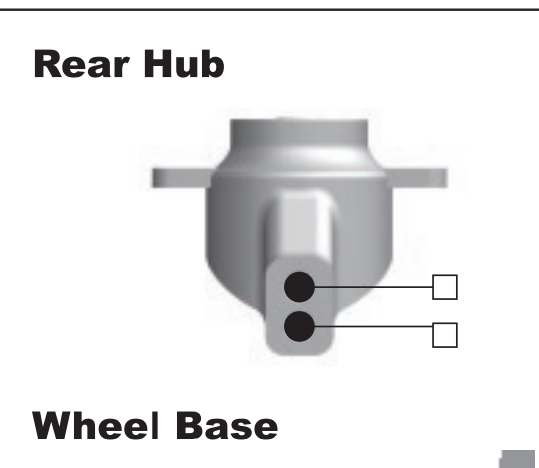
Toe \_\_\_\_\_ °

**Shock Absorber**

Oil \_\_\_\_\_

Piston     1.2     1.3

Spring  
 S (Gray)     M (White)     H (Green)



Front		Rear	
		<b>Tire</b>	
		<b>Wheel</b>	
		<b>Insert</b>	
		<b>Tire Treatment</b>	
		<b>Compound</b>	
FL	FR	<b>Treated Area</b>	FL    FR