

## SETUP SHEET

Base Model  
 F103  F104  F104W

■ Driver /                      ■ Date /                      ■ Temp /                      ■ Humidity /                      %

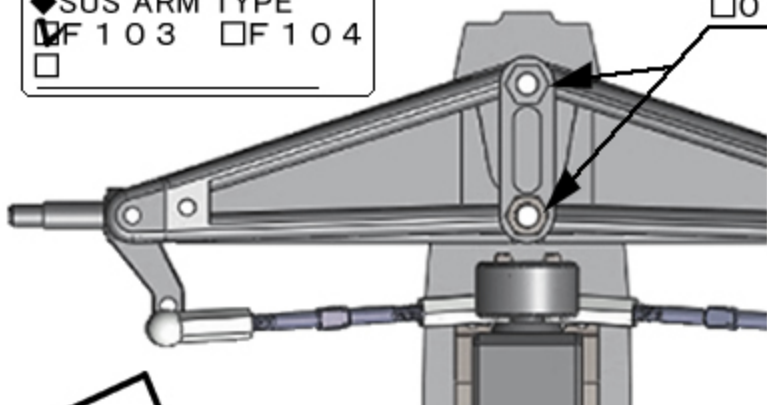
■ Track /                      ★ Standard setup ★

◆ Location     Indoor     Outdoor                      ◆ Size     Big     Med.     Small  
 ◆ Road surface     Asphalt     Carpet                      ◆ Traction     High     Med.     Low  
 ◆ Conditions     Smooth     Med.     Bumpy /     Wet

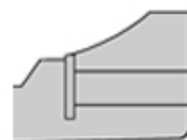
### FRONT

◆ SUS ARM TYPE  
 F103     F104

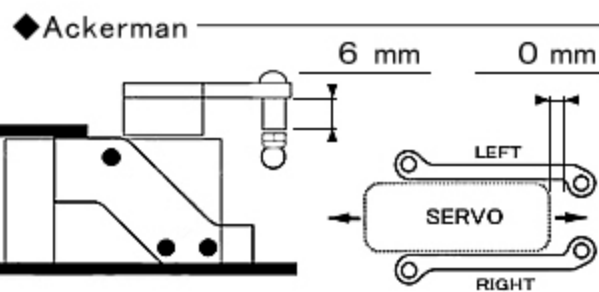
◆ F103 / Camber Spacer  
 0 mm     1.0 mm     2.0 mm     3.0 mm



■ Front Wing  
 TECH Type-B



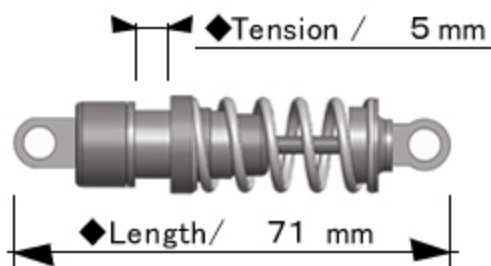
◆ UPRIGHT TYPE  
 ■ Maker /  
 InLine     Trail / 3.6 mm



◆ Width / 200 mm    ◆ Ride Height / 4.5 mm  
 ◆ Front Spring / TAMIYA-Soft  
 ◆ Camber F104  
 0°     1.0°     1.5°     2.0°     2.5°  
 ◆ Toe     IN     OUT / 0°  
 ◆ Front Tire / ZEN Hi-Rubber 55 mm  
 ◆ Additive     Yes     No  
 Maker /  
 Time ~ min / Width mm  
 ◆ Notes

### Rear

■ Rear Damper / AE-R5



◆ Spring / YOKOMO-R12 Silver  
 ◆ Piston / Hole    ◆ Oil / # 400

■ Roll-Damper  
 ◆ Length / 71.5 mm    ◆ Oil / # 200

◆ Width / 200 mm  
 ◆ Height Adapter  
 2.5     2.0     1.0     0     1.0     2.0  
 ◆ Ride Height / 5 mm  
 ◆ Rear Tire / ZEN Soft2 5 54 mm  
 ◆ Additive     Yes     No  
 Maker /  
 Time ~ min / Width

◆ Body /  
 ◆ Rear Wing / TRG  
  
 Height 95 mm  
 ◆ Motor /  
 ◆ Spur / Pinion / RollOut  
 T / T /  
 ◆ ESC /  
 ◆ Weight / g  
 ◆ Steering Gyro  
 Maker / R246  
 ON (GAIN 0 %)  
 ◆ Notes

■ Side Link-Rod

