

Track Condition

Composition: Asphalt Carpet

Environment: Indoor Outdoor

Surface: Smooth Both Bumpy

Traction: Low Medium High

Size: Tight Mixed Open

Track Temp.: _____ Air Temp.: _____

Electronics

Motor: _____ Timing: _____

ESC: _____ Battery: _____

Spur: _____ Pinion: _____ Ratio: _____

Aerodynamics

Body: _____ Wing: _____

Front	Shocks	Rear
_____	- Spring - _____	_____
_____	- Oil - _____	_____
_____	- Piston - _____	_____
_____	- Rebound (%) - _____	_____
_____	- Foam Inserts - _____	_____

Anti-Roll Bar

Tires

_____ - Inserts - _____

_____ - Rims - _____

_____ - Additive - _____

_____ - Additive Time - _____



Transmission

Gear Ball - Diff - Gear Ball

- Oil - _____

- Oil Weight (Grs) - _____

- Settings - _____

Spool

Front

Toe: _____

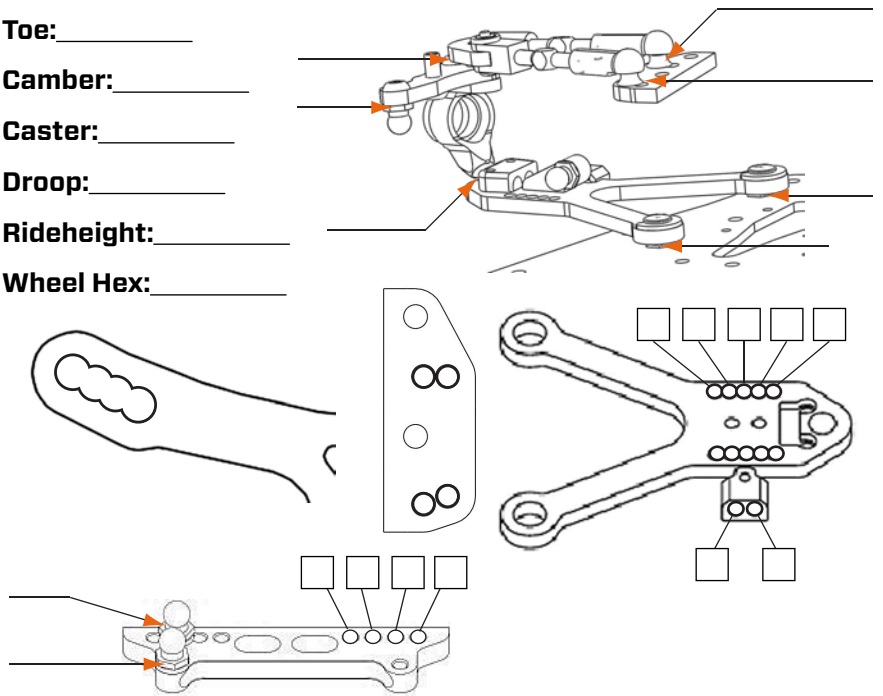
Camber: _____

Caster: _____

Droop: _____

Rideheight: _____

Wheel Hex: _____



Rear

Toe: _____

Camber: _____

Caster: _____

Droop: _____

Rideheight: _____

Wheel Hex: _____

