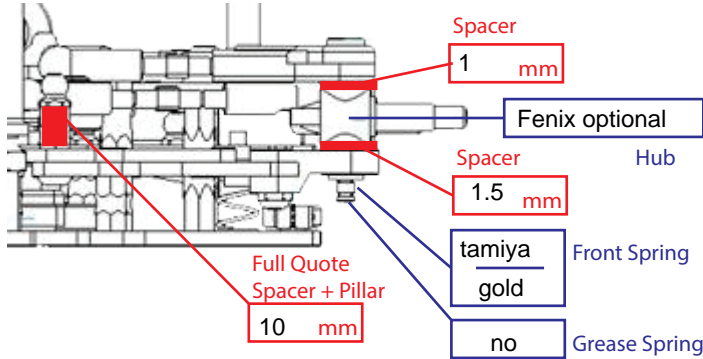




FENIX RACING MISTRAL

Driver : Giorgio Favaretto
 Date : 15 Jan 2017
 Event : Charity 2017
 Track : Scandiano

Temp : Fxxxing Cold
 Condition :
 Surface : bumpy/grippy carpet



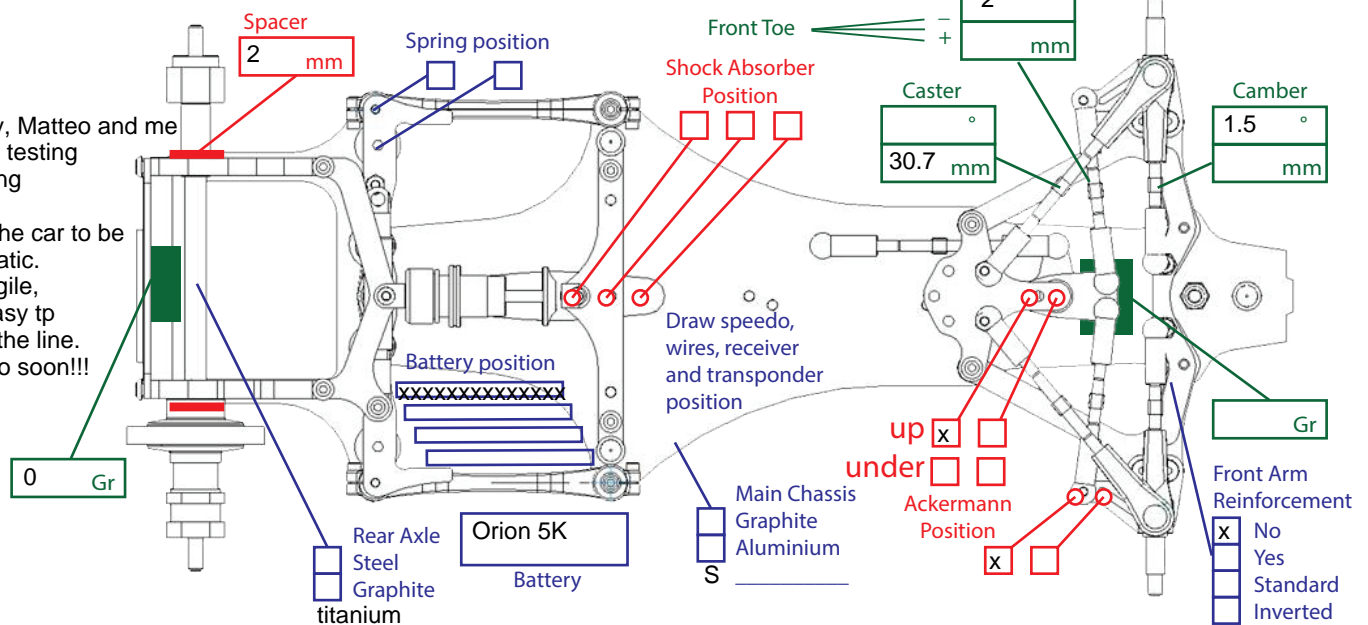
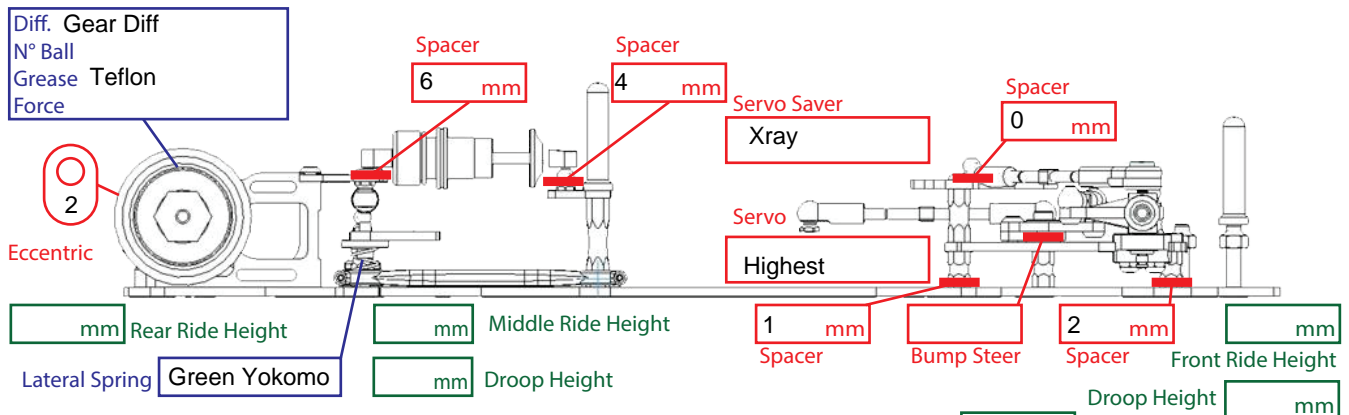
Shock Absorber:

Piston: 3 holes
 Oil: 1500
 Spring: Silver Fenix
 Length: 67 mm

Roll Damper:



Oil / Grease
 50000 x 2



Honestly, Matteo and me we were testing something new. I found the car to be Orgasmatic. Super agile, super easy to keep at the line. More info soon!!!

Motor HW Handout Spur Gear 84 Pinion Gear 28 Body Phigamma 2 Front Wing Fenix + Montech winglet Rear Wing Old Serpent (xray) inside and low as much as possible Weight	Front Tire Ride Wheels Inserts Traitment MR33 ETS Rear Tire Ride XR Wheels Inserts Traitment	 HALF Full	Esc Justock BLU set up Radio Th EPA Brake EPA Steering EPA
--	---	----------------------	---