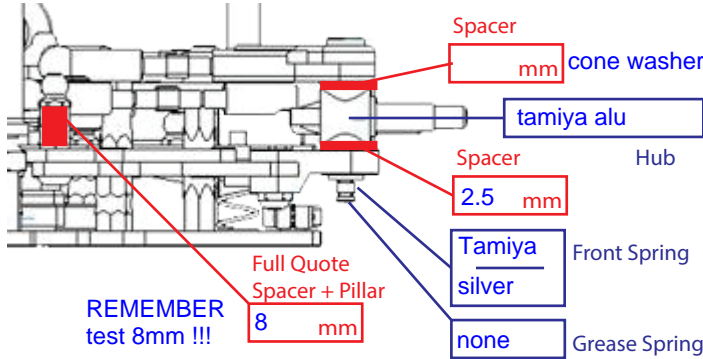




FENIX RACING MISTRAL

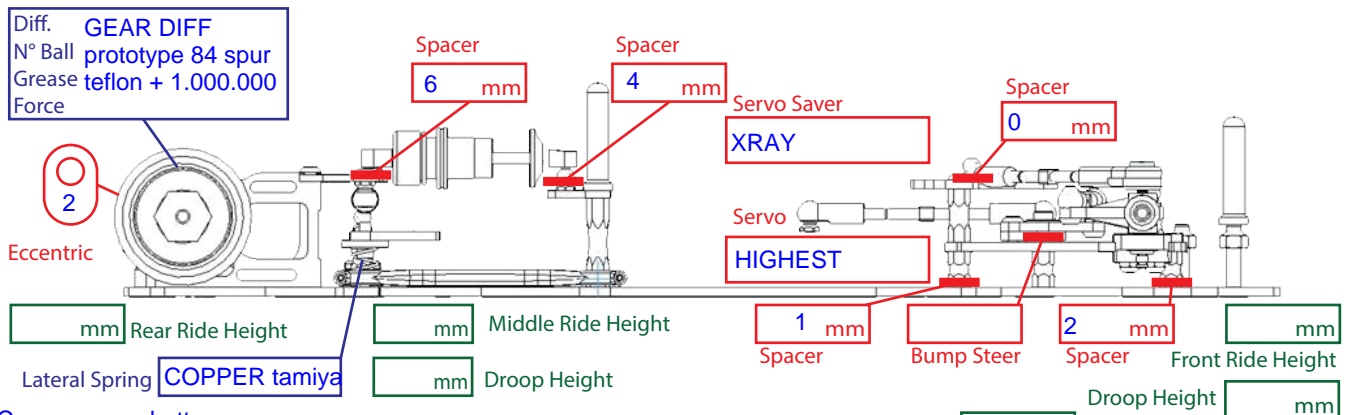
Driver : Giorgio Favaretto
 Date : 30 october
 Event : 2° Chiari indoor
 Track : Chiari

Temp :
 Condition : Clean
 Surface : ETS carpet



Shock Absorber:
 Piston: 3 hole
 Oil: 600 much more
 Spring: Black
 Length: 67 mm
 center to center

Roll Damper:
 dual damper
 Oil / Grease 30.000

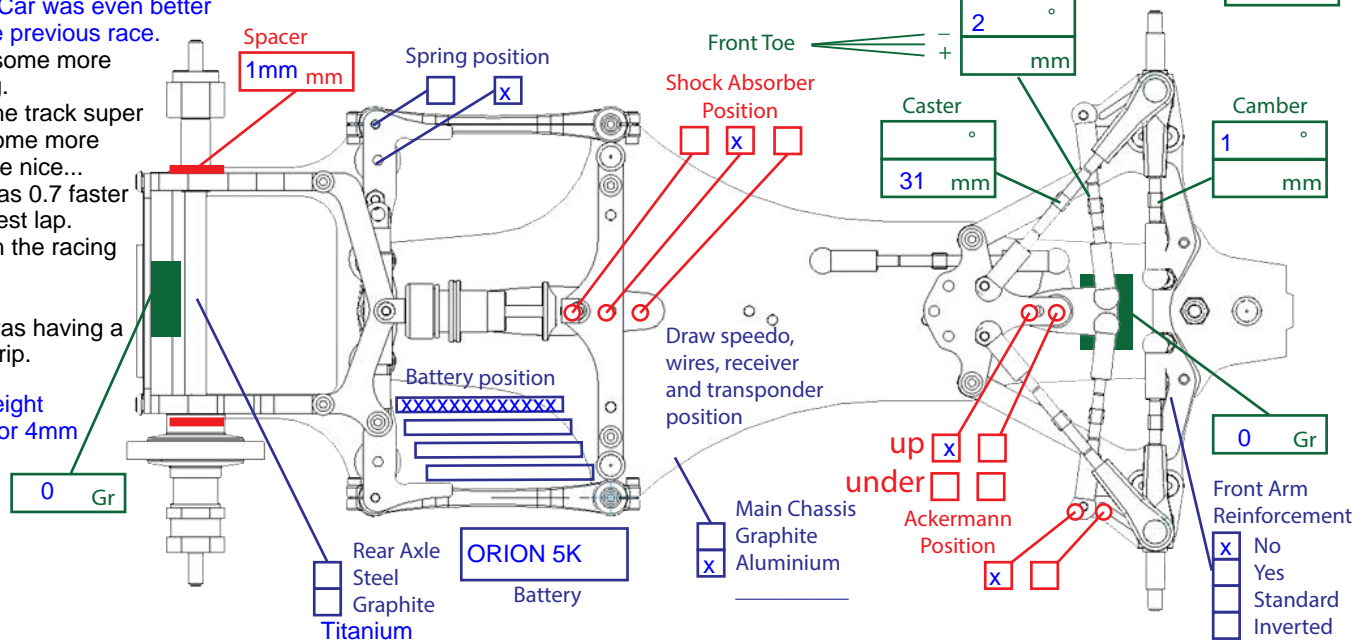


NOTE: Car was even better than the previous race.

Found some more steering.
 Being the track super small some more would be nice...
 But, I was 0.7 faster in the best lap.
 Same in the racing pace

Track was having a better grip.

CAR height is fine for 4mm test



Motor Hobbywing 21.5 stock Spur Gear 84 Pinion Gear 33 Body Phigamma2 Front Wing ETS Montech Rear Wing ETS Montech Weight	Front Tire ETS Ride Wheels Inserts Traitment ETS MR33 - 1 Rear Tire ETS Ride Wheels Inserts Traitment ETS MR33 - 1	 	Esc JUSTOCK set up Radio SANWA ZZ Th EPA Brake EPA 75 Steering EPA 100
---	---	------	--