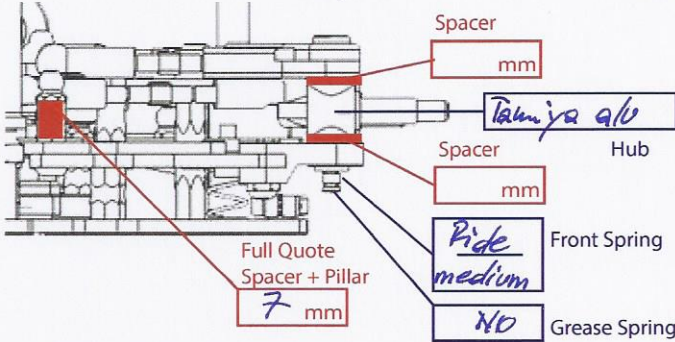


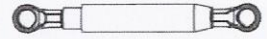
FENIX RACING MISTRAL

Driver : *Moretti Giacomo* Temp :
 Date : *21-2-2016* Condition : *high prep*
 Event : *Free practice*
 Track : *Indoor, Senigra (I)* Surface : *Asphalt*



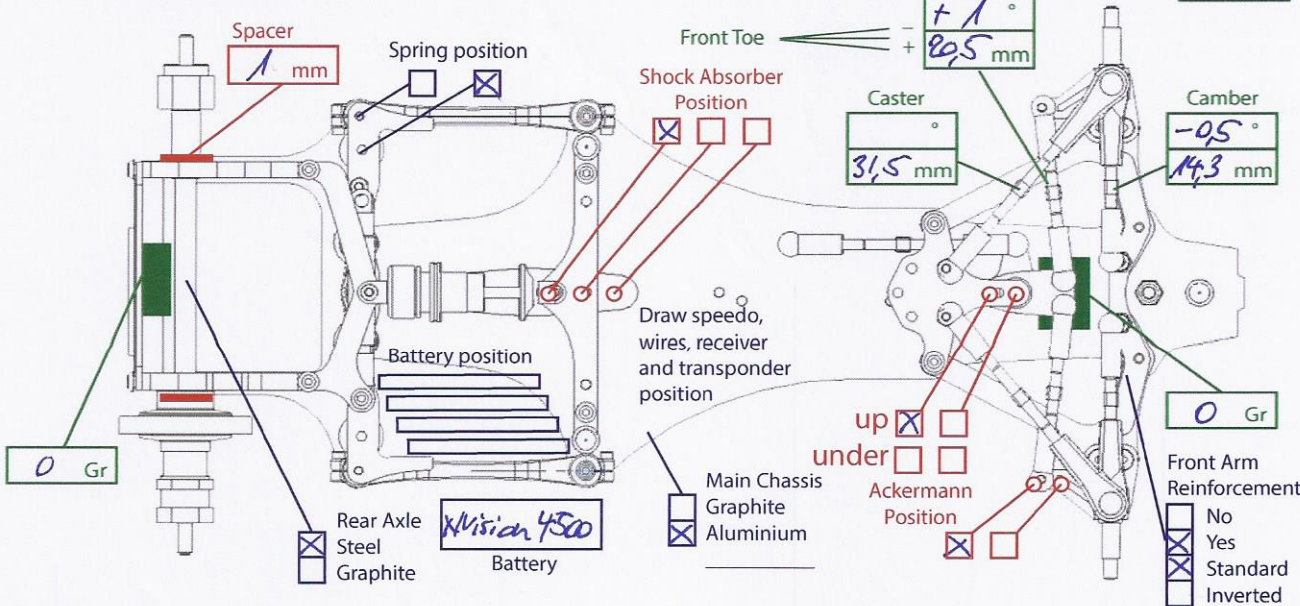
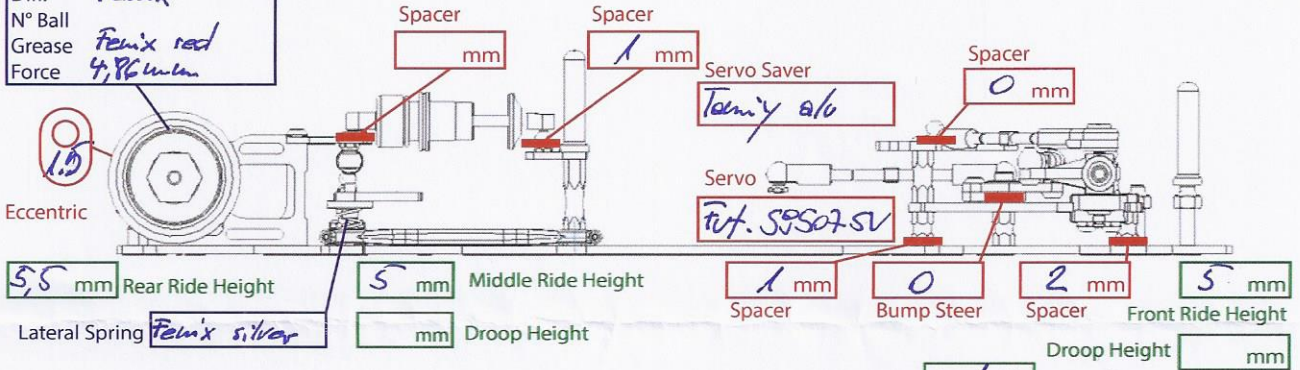
Shock Absorber: *Fenix*
 Piston: *3 holes*
 Oil: *600*
 Spring: *Fenix Silver*
 Length:

Roll Damper: *Fenix alu*



Oil / Grease *80'000*

Diff. *Fenix*
 N° Ball *Fenix red*
 Grease *4,86 mkn*
 Force *1.5*



Motor <i>HW Justech 21.5 ETS</i>	Front Tire <i>Hot Race</i>		Esc <i>HW Justech ETS set up</i>
Spur Gear <i>88</i>	Wheels		Radio <i>Futaba 4PX</i>
Pinion Gear <i>25</i>	Inserts		Th EPA <i>100%</i>
Body <i>Montech F13</i>	Treatment <i>LRP Comp. 3</i>		Brake EPA <i>40%</i>
Front Wing <i>Montech ETS</i>	Rear Tire <i>Hot Race</i>		Steering EPA
Rear Wing <i>Serpent ETS</i>	Wheels		
Weight <i>1060g</i>	Inserts		
	Treatment <i>LRP Comp. 3</i>		