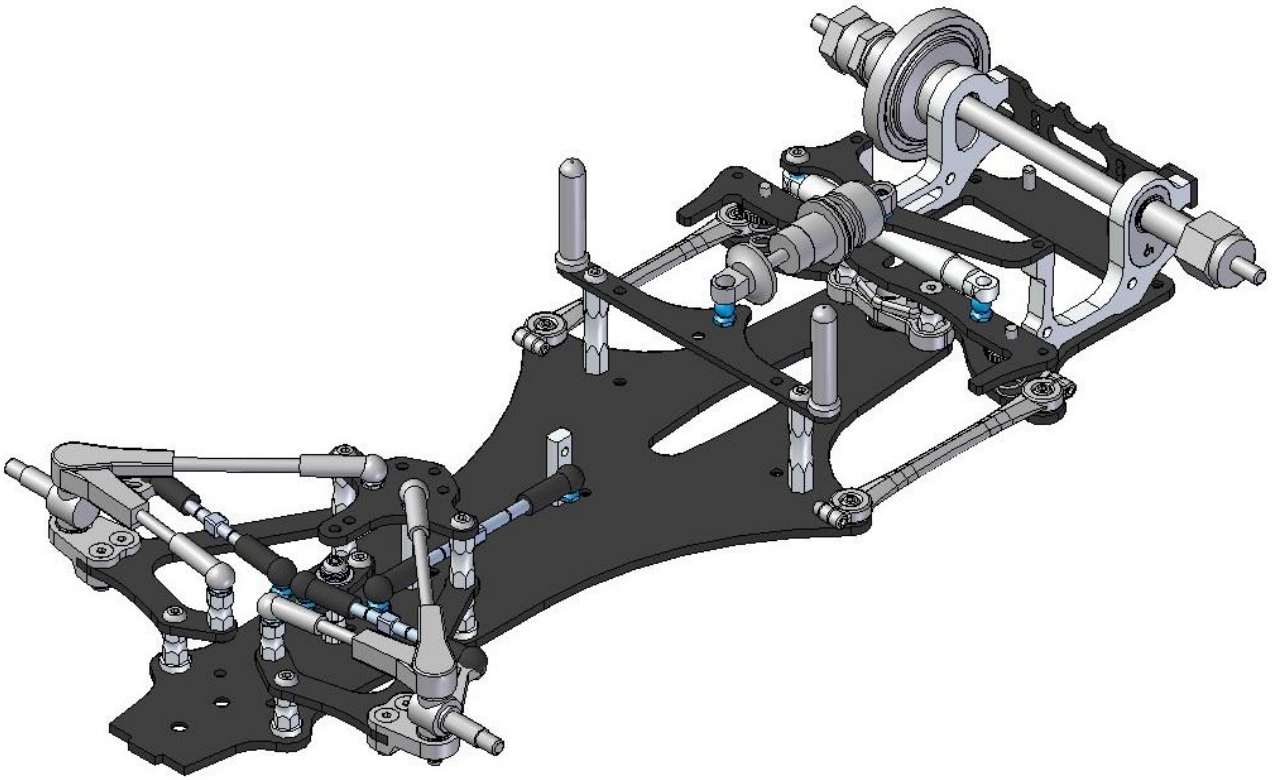


FENIX MISTRAL - 2017



FENIX MISTRAL

2017

rev2



FENIX MISTRAL - 2017

Mistral is a high-competition, high-quality, 1/10-scale Formula car intended for persons aged 16 years and older with previous experience building and operating RC model racing cars. This is not a toy; it is a precision racing model. This model racing car is not intended for use by beginners, inexperienced customers, or inexperienced racers or by children without direct supervision of a responsible, knowledgeable adult.

Before building and operating your Mistral, YOU MUST read through all of the operating instructions and instruction manual and fully understand them to get the maximum enjoyment and prevent unnecessary damage. Read carefully and fully understand the instructions before beginning assembly.

Contents of the box may differ from pictures. In line with our policy of continuous product development, the exact specifications of the kit may vary without prior notice.

Take appropriate safety precautions prior to operating this model. You are responsible for this model's assembly and safe operation! Please read the instruction manual before building and operating this model and follow all safety precautions

IMPORTANT NOTES – GENERAL

- This product is not suitable for children under 16 years of age without the direct supervision of a responsible and knowledgeable adult.
 - Carefully read all manufacturers warnings and cautions for any parts used in the construction and use of your model.
 - Assemble this kit only in places away from the reach of very small children.
 - First-time builders and users should seek advice from people who have building experience in order to assemble the model correctly and to allow the model to reach its performance potential.
 - Exercise care when using tools and sharp instruments.
 - Take care when building, as some parts may have sharp edges.
 - Keep small parts out of reach of small children. Children must not be allowed to put any parts in their mouth, or pull vinyl bag over their head.
 - Read and follow instructions supplied with paints and/or cement, if used (not included in kit).
 - Immediately after using your model, do NOT touch equipment on the model such as the motor and speed controller, because they generate high temperatures. You may seriously burn yourself seriously touching them.
 - Follow the operating instructions for the radio equipment at all times.
 - Do not put fingers or any objects inside rotating and moving parts, as this may cause damage or serious injury as your finger, hair, clothes, etc. may get caught.
 - Be sure that your operating frequency is clear before turning on or running your model, and never share the same frequency with somebody else at the same time. Ensure that others are aware of the operating frequency you are using and when you are using it.
 - Use a transmitter designed for ground use with RC cars. Make sure that no one else is using the same frequency as yours in your operating area. Using the same frequency at the same time, whether it is driving, flying or sailing, can cause loss of control of the RC model, resulting in a serious accident.
 - Always turn on your transmitter before you turn on the receiver in the car. Always turn off the receiver before turning your transmitter off.
 - Keep the wheels of the model off the ground when checking the operation of the radio equipment.
 - Disconnect the battery pack before storing your model.
 - When learning to operate your model, go to an area that has no obstacles that can damage your model if your model suffers a collision.
 - Remove any sand, mud, dirt, grass or water before putting your model away.
 - If the model behaves strangely, immediately stop the model, check and clear the problem.
 - To prevent any serious personal injury and/or damage to property, be responsible when operating all remote controlled models.
 - The model car is not intended for use on public places and roads or areas where its operation can conflict with or disrupt pedestrian or vehicular traffic.
 - Because the model car is controlled by radio, it is subject to radio interference from many sources that are beyond your control. Since radio interference can cause momentary loss of control, always allow a safety margin in all directions around the model in order to prevent collisions.
 - Do not use your model:
 - Near real cars, animals, or people that are unaware that an RC car is being driven.
 - In places where children and people gather
 - In residential districts and parks
 - In limited indoor spaces
 - In wet conditions
 - In the street
 - In areas where loud noises can disturb others, such as hospitals and residential areas.
 - At night or anytime your line of sight to the model may be obstructed or impaired in any way.
- To prevent any serious personal injury and/or damage to property, please be responsible when operating all remote controlled models.

Failure to follow these instructions will be considered as abuse and/or neglect.

We have made every effort to make these instructions as easy to understand as possible.

However, if you have any difficulties, problems, or questions, please do not hesitate to

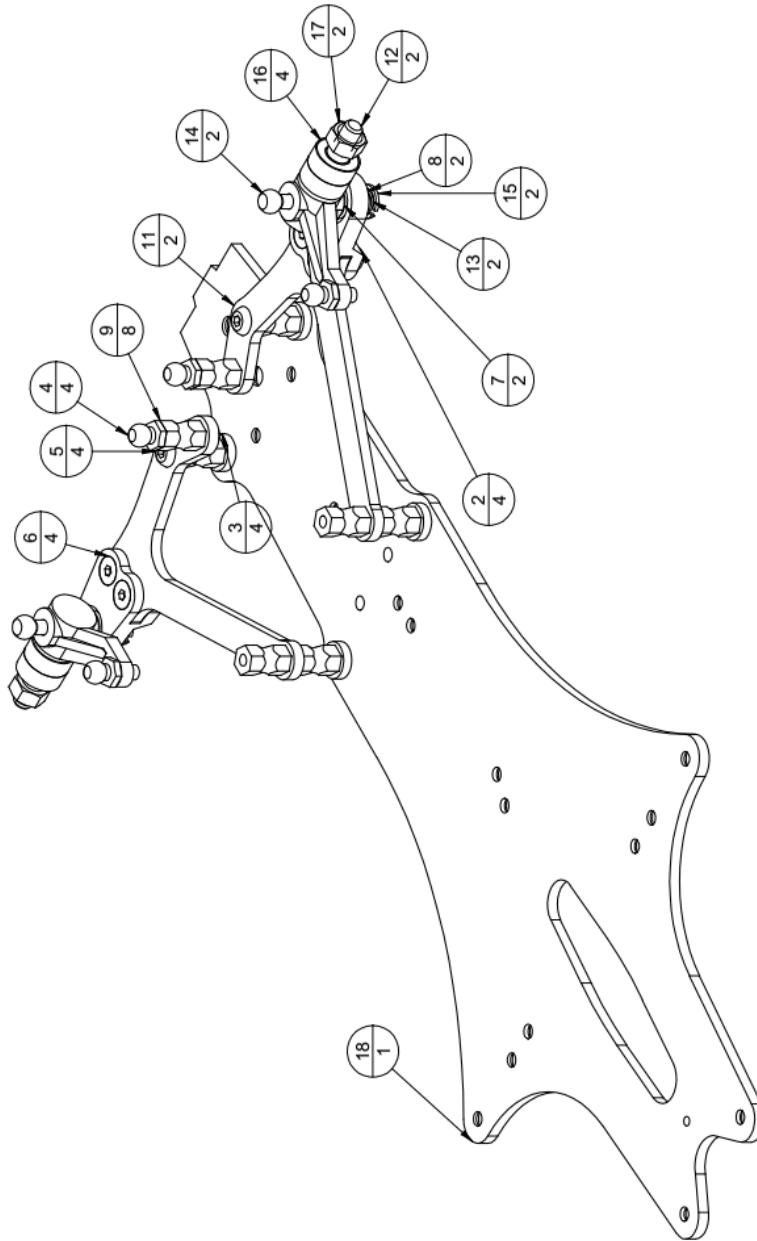
contact the Fenix support team at racing@fenixwaterjet.com . Also, please visit our Web site

at www.fenix-racing.com or www.fenixracingshop.com or <https://www.facebook.com/FenixRacing.it/>

the latest updates, set-up information, option parts, and many other goodies. We pride ourselves on taking excellent care of our customers.

FENIX MISTRAL - 2017

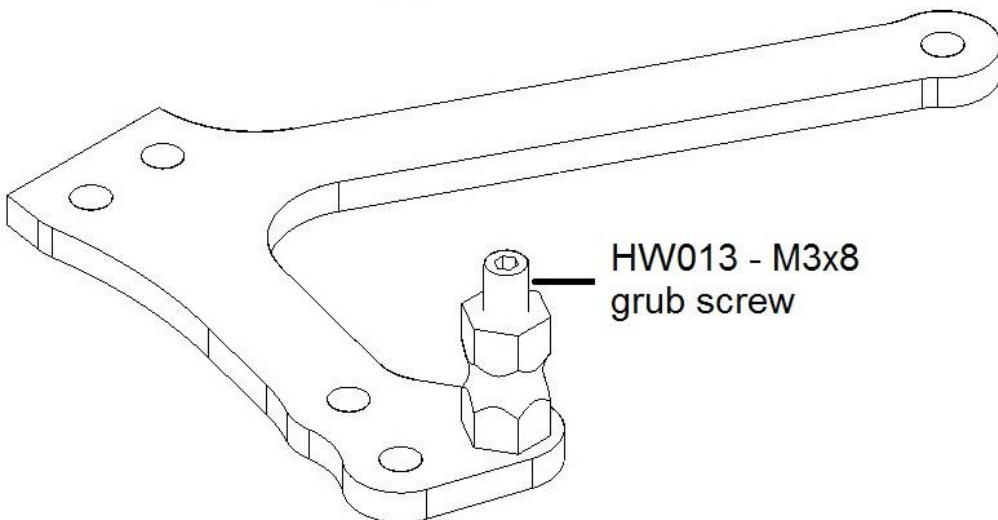
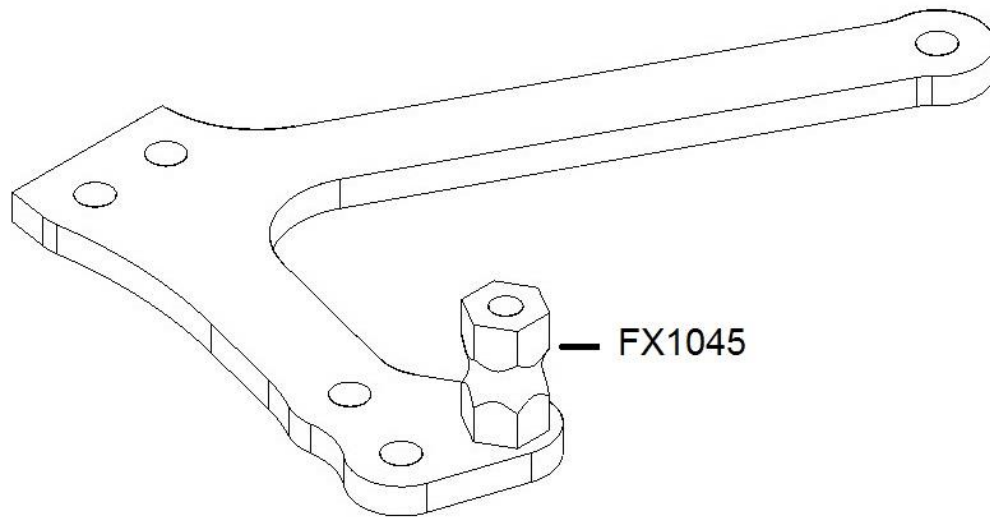
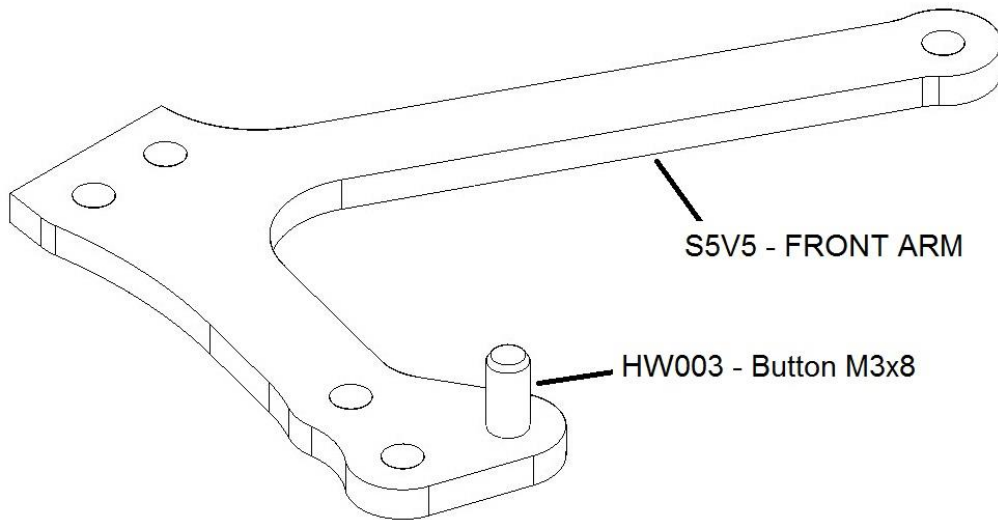
Bag A



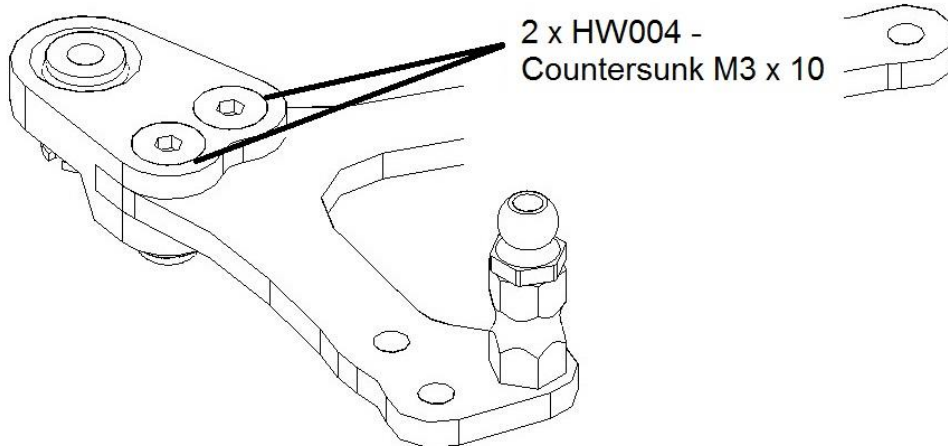
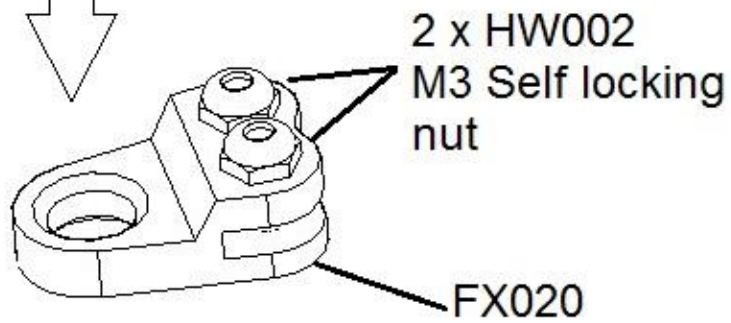
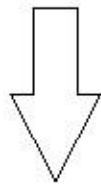
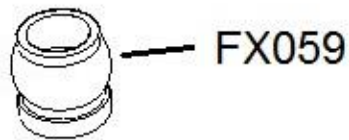
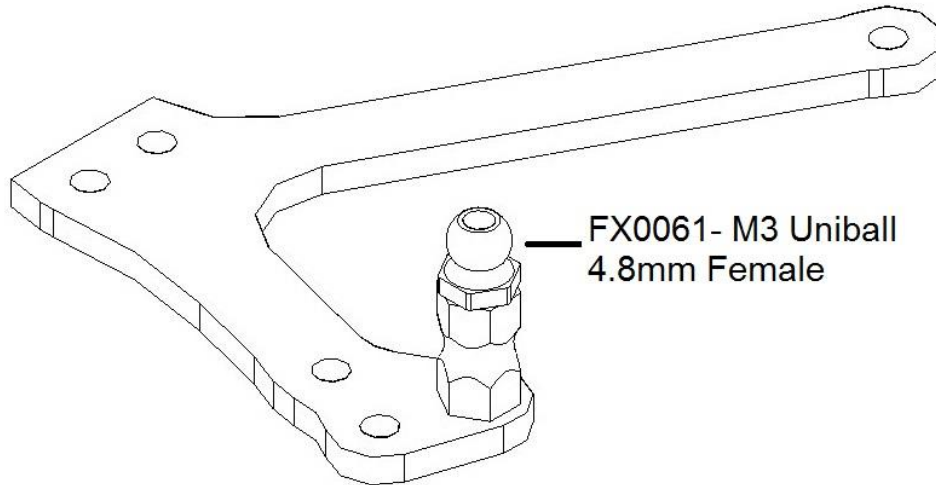
Item	CPN	Description	Qty
1*	HW001	Screw - M3*20 - Hexagon Socket Countersunk	2
2	HW002	M3 Self Locking nut - standard	4
3	FX02009	Aluminum M3 Flat Washer 2mm	4
4	FX0024 - Male	Aluminum M3 Uniball 4.8	4
5	HW003	Screw - M3*8 - Hexagon Socket Button	4
6	HW004	Screw - M3*10 - Hexagon Socket Countersunk	4
7	FX059	Suspension Sphere	2
8	FX020	Sphere Holder	2
9	FX1045	10mm Post	8
10*	HW007	Screw - M3*8 - Hexagon Socket Countersunk	2
11	S5V3	Front Triangle	2
12	FX0014	Steering upright	2
13	FX0034-A	Fenix Front Silver - medium	2
14	FX0031	Mistral Titanium Kingpin	2
15	HW005	Seeger	2
16	FX105	Bearing 10mm* 5mm* 4mm	4
17	HW006	Self locking nut M4 - standard	2
18	F1 L	Mistral black main chassis - Carbon	1
19*	HW0018	Washer 3mm	2

FENIX MISTRAL - 2017

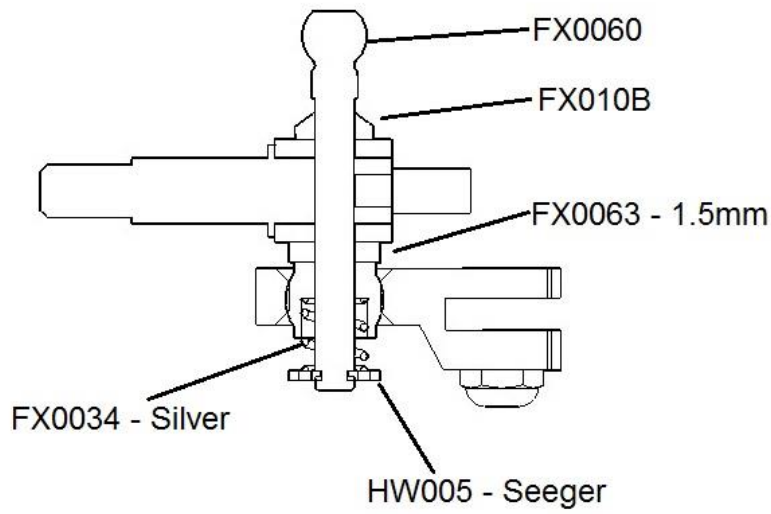
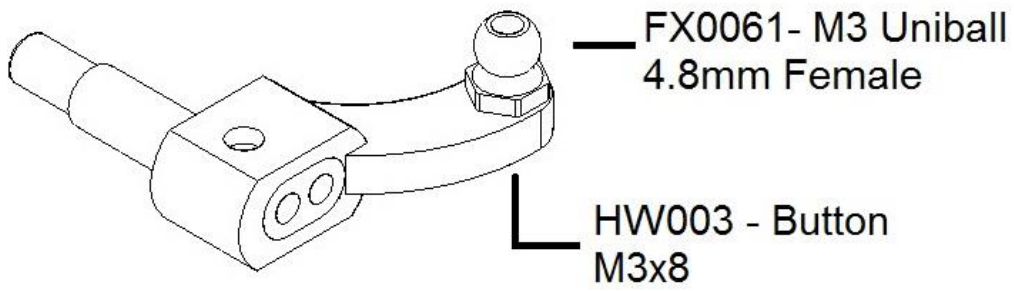
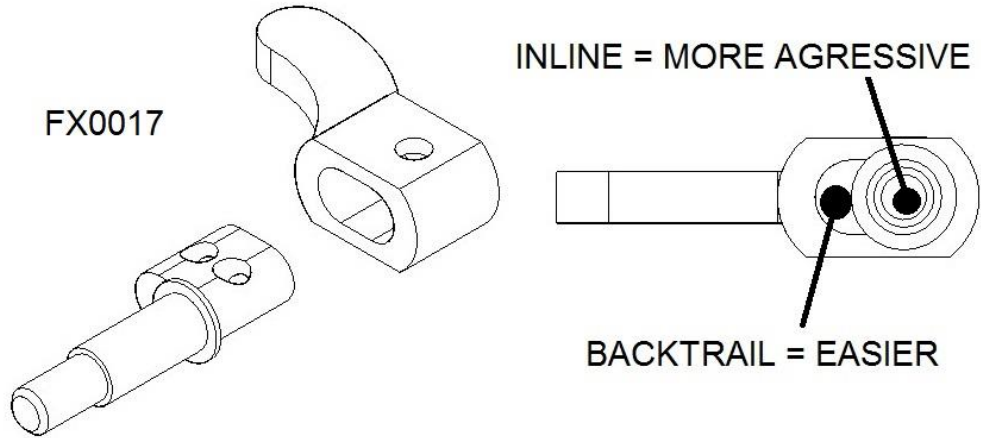
FRONT SUSPENSION



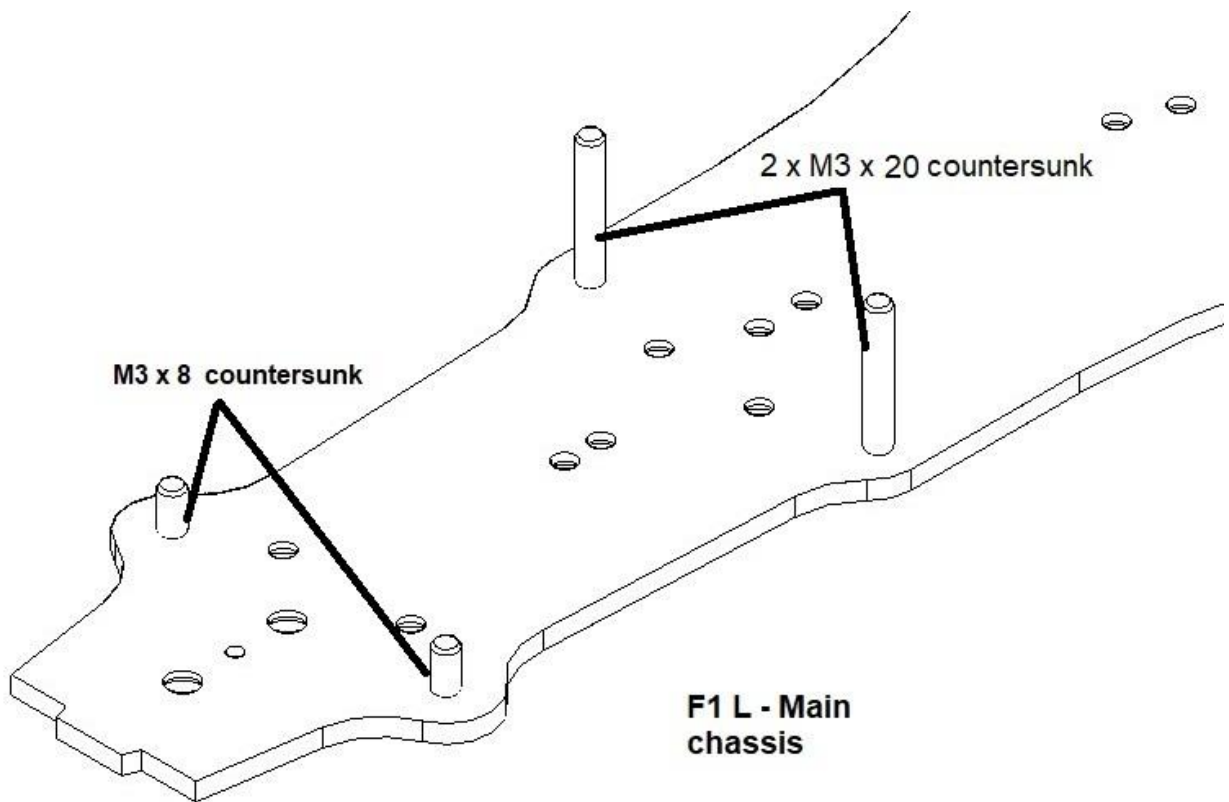
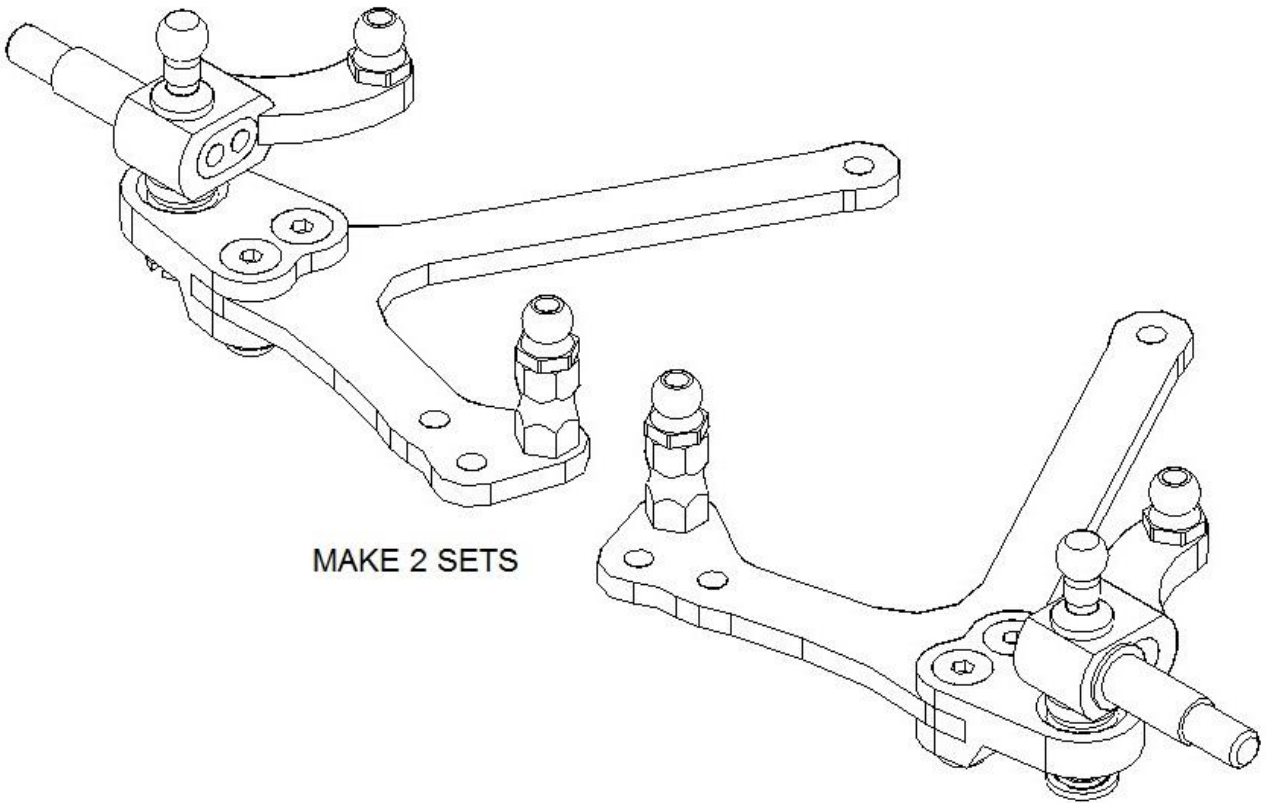
FENIX MISTRAL - 2017



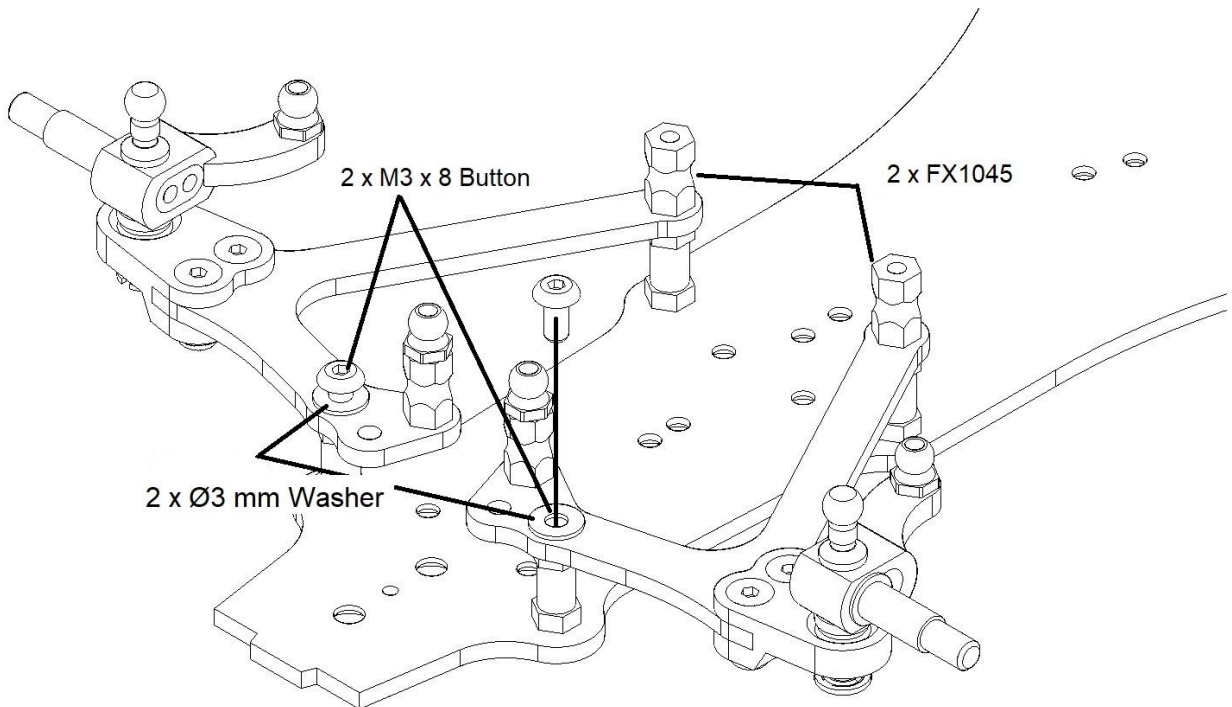
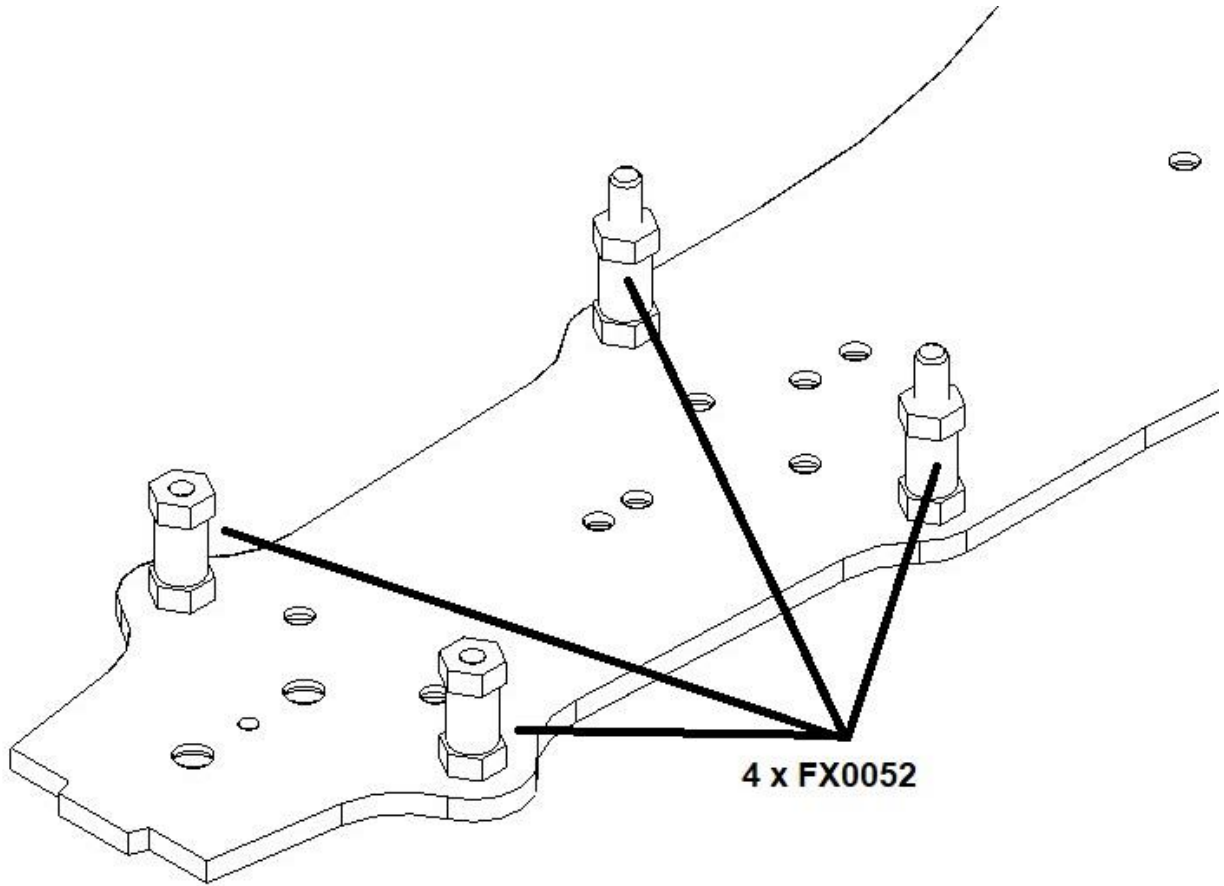
FENIX MISTRAL - 2017



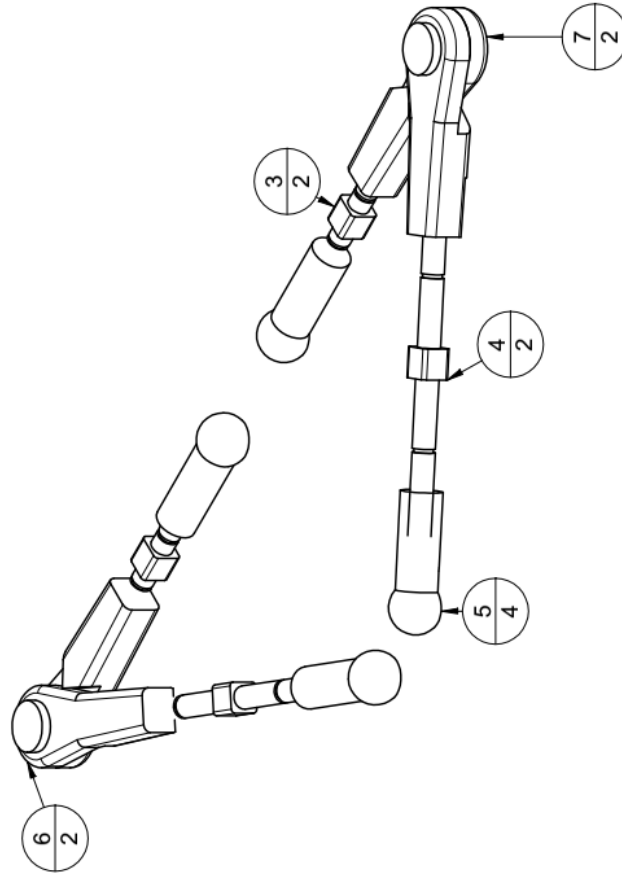
FENIX MISTRAL - 2017



FENIX MISTRAL - 2017

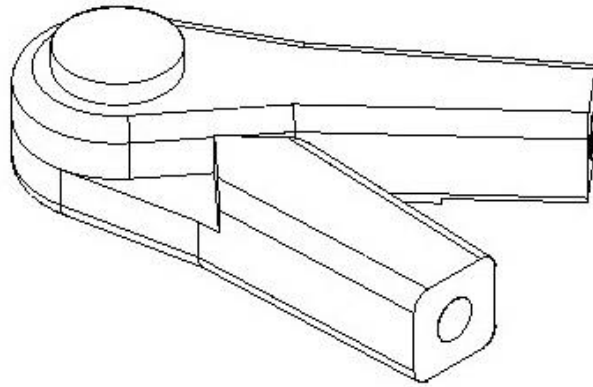


Bag B

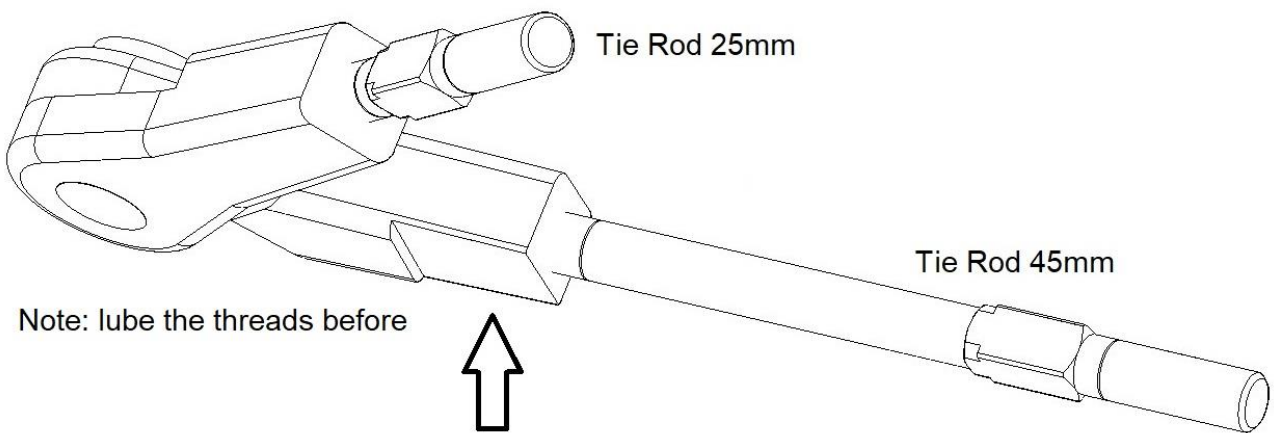


Item	CPN	Description	Qty
3	FX0027-T	Mistral front turnbuckle short - Titanium	2
4	FX0025-T	Mistral front turnbuckle Long - Titanium	2
5	FX0037	Ball Joint	4
6	FX024	Front Ball Joint	2
7	FX024	Front Ball Joint	2

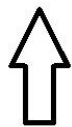
FENIX MISTRAL - 2017



Make 2 sets

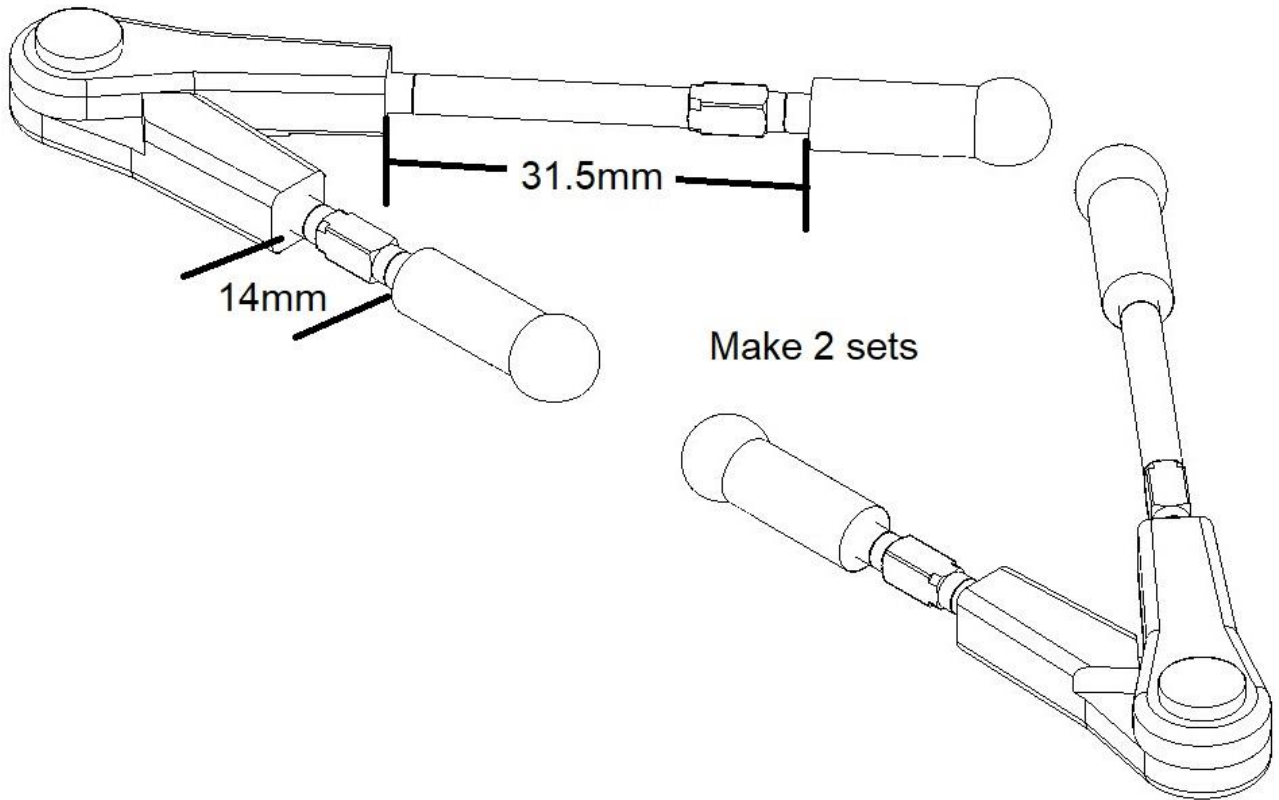


Note: lube the threads before

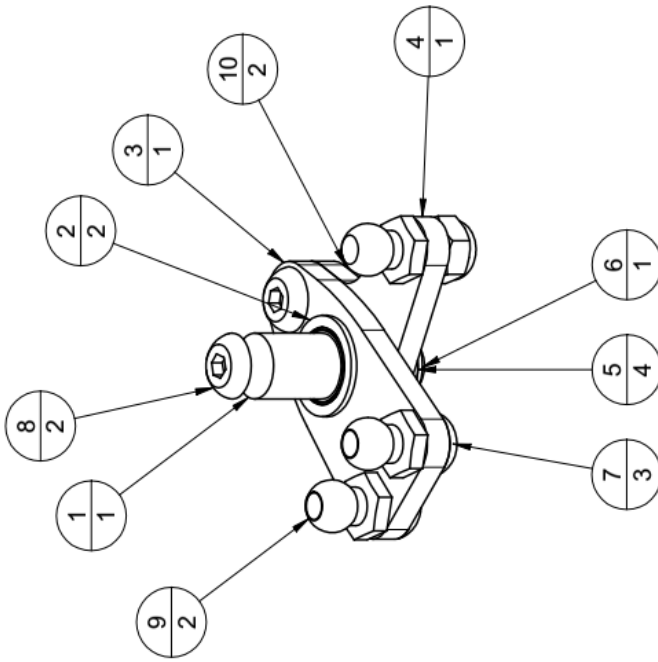


Remove about 0,5mm
from this area

FENIX MISTRAL - 2017



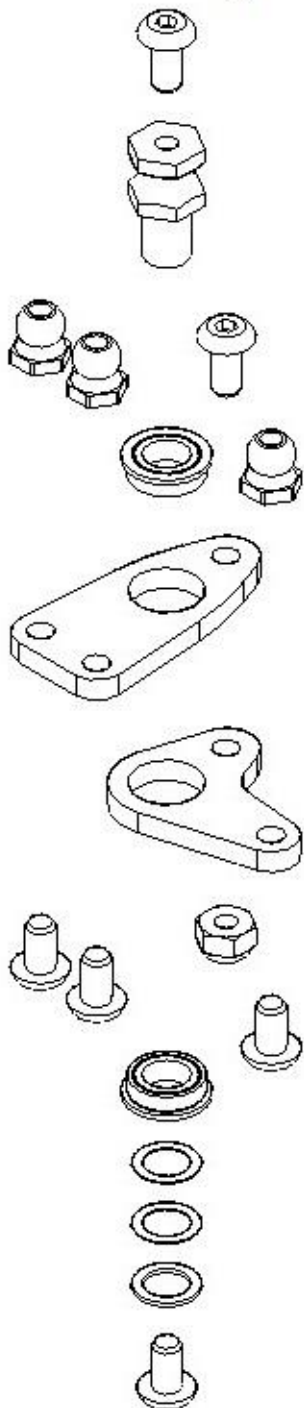
Bag C



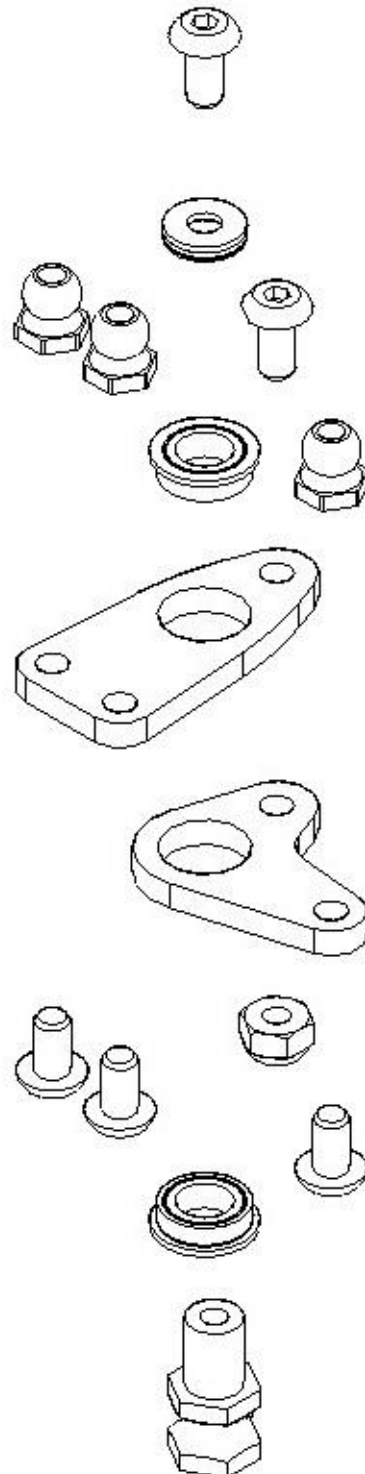
Item	CPN	Description	Qty
1	HW011	Steering post	1
2	FX0032	5x8x2.5 - Flanged ball Bearing	2
3	SS2	Ackermann plate	1
4	SS1	Steering link	1
5	HW010	0.5mm shims	4
6	HW009	0,2mm shims	1
9	FX0024 - Female	Aluminum M3 Uniball 4.8	2
11*	FX0024 - Male	Aluminum M3 Uniball 4.8	1
12*	HW008	Screw - M3*6 - Hexagon Socket Button	3
13*	HW002	M3 Self Locking nut - standard	2
14*	HW003	Screw - M3*8 - Hexagon Socket Button	2

FENIX MISTRAL - 2017

Upside down steering



On the chassis steering

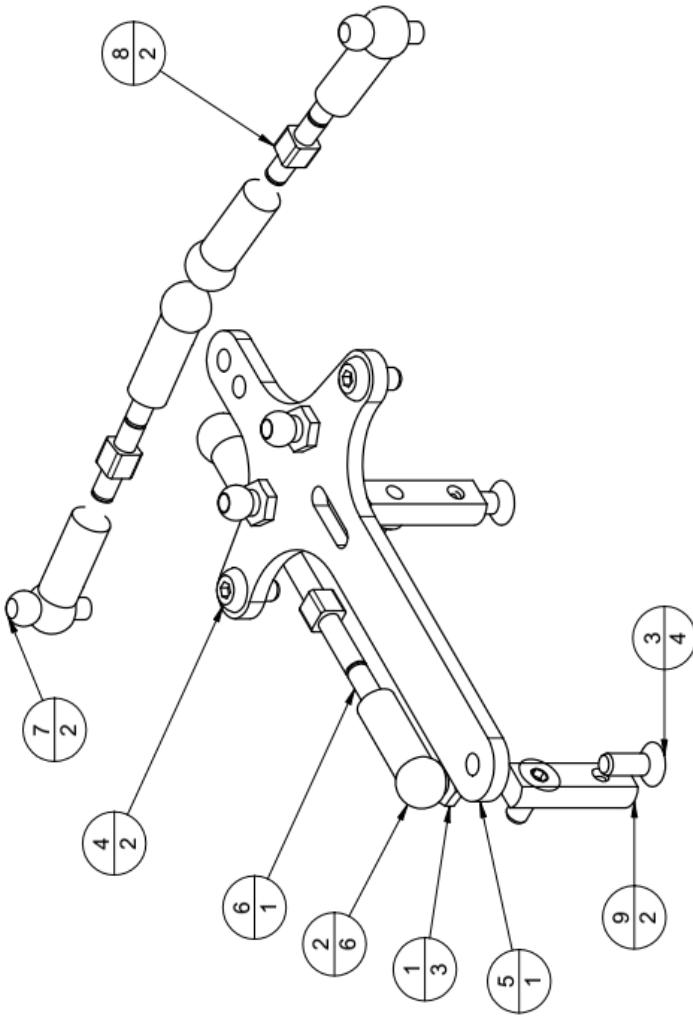


Upside down steering = bumpy track, the car will be a little “wandering”

On the chassis= more direct feeling, more precise

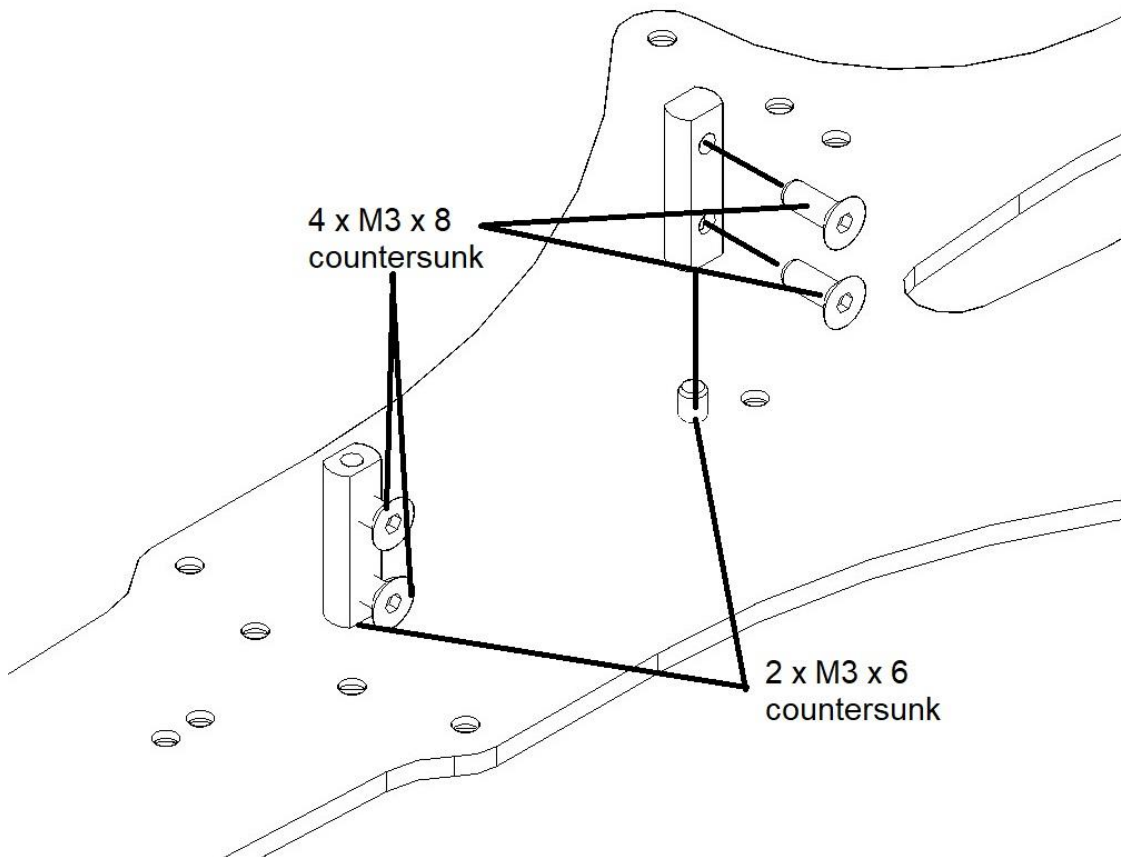
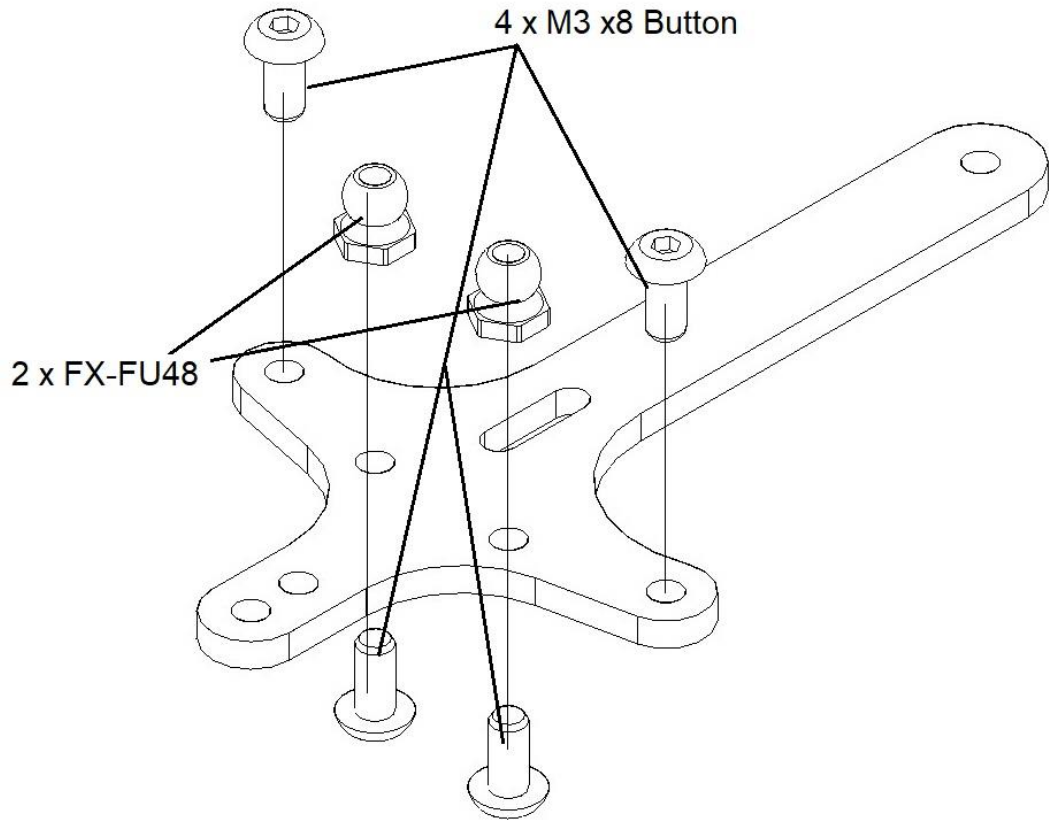
FENIX MISTRAL - 2017

Bag D

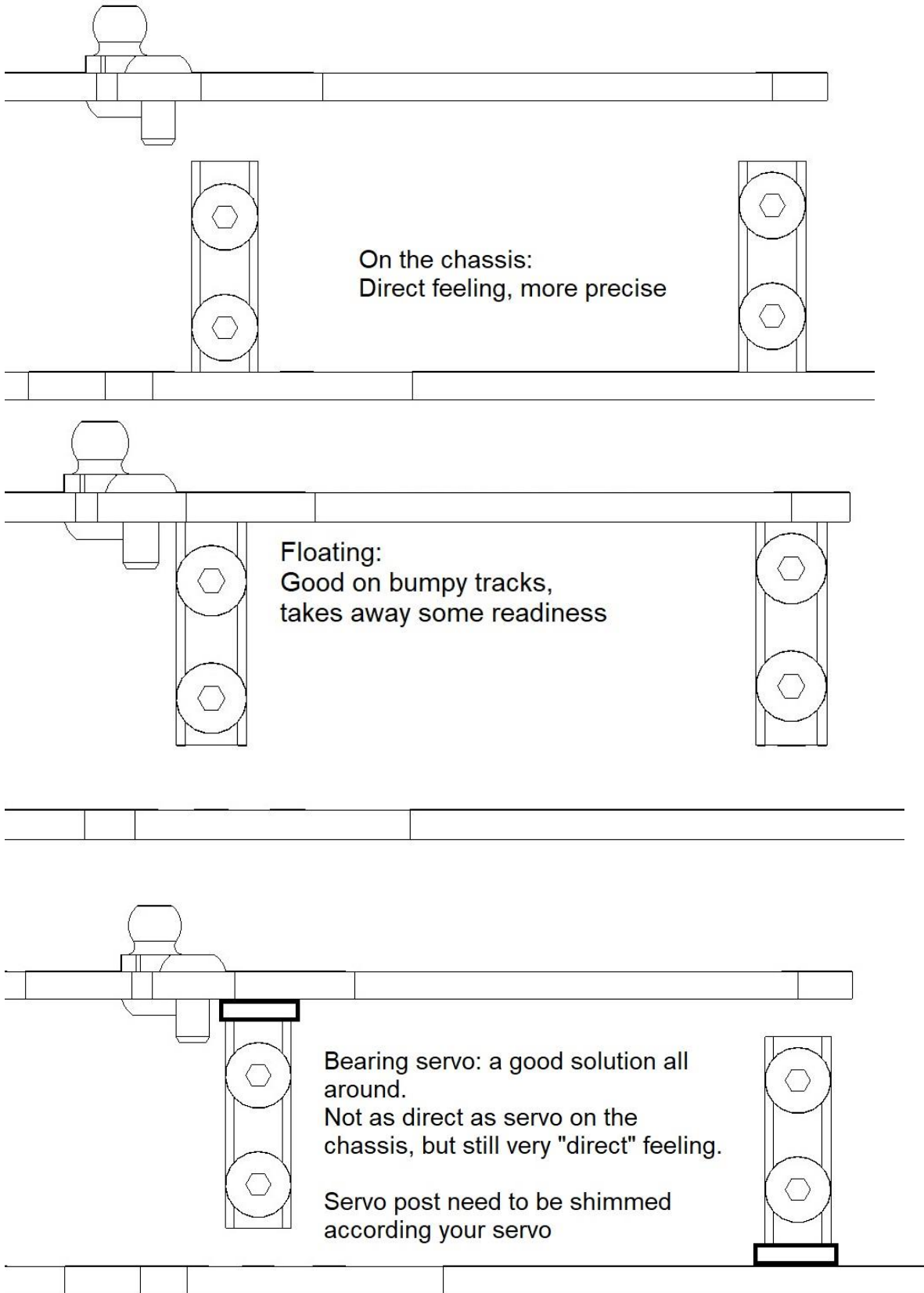


Item	CPN	Description	Qty
1	FX0024 - Female	Aluminum M3 Uniball 4.8	3
2	FX0037	Ball Joint	6
3	HW007	Screw - M3*8 - Hexagon Socket Countersunk	4
4	HW003	Screw - M3*8 - Hexagon Socket Button	2
5	F14	Caster plate	1
6	FX0025-T	Mistral front turnbuckle Long - Titanium	1
7	FX0024 - Male	Aluminum M3 Uniball 4.8	2
8	FX0026-T	Mistral turnbuckle steering - Titanium	2
9	FX0022	Mistral Servo Mount	2
10*	HW008	Screw - M3*6 - Hexagon Socket Button	2

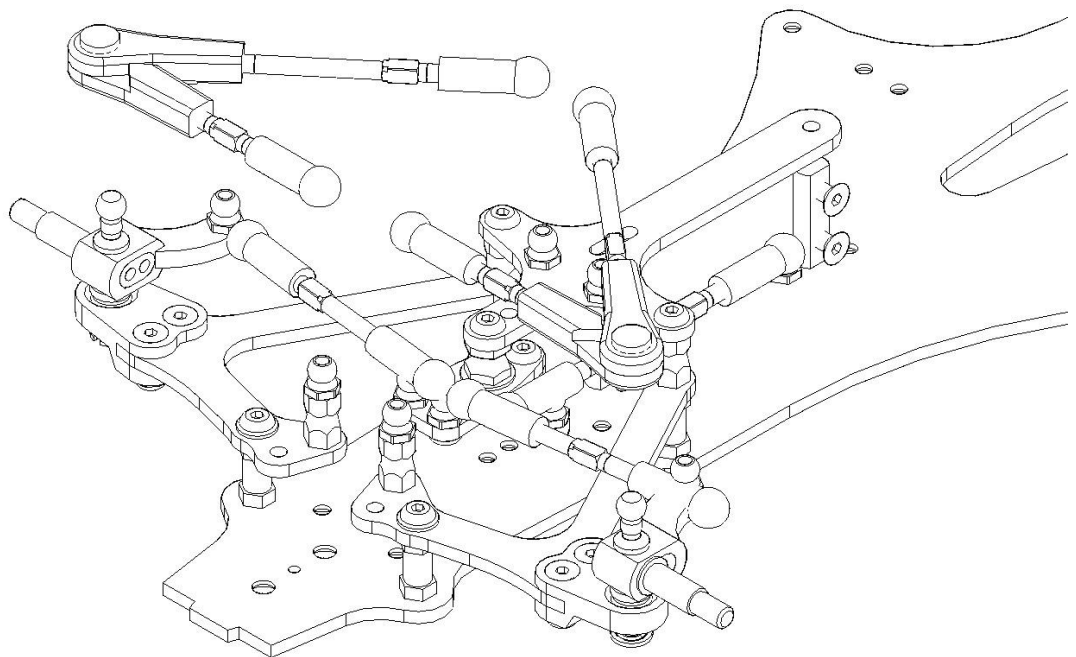
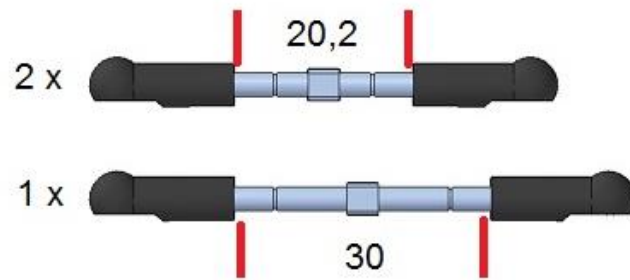
FENIX MISTRAL - 2017



Servo Mount options

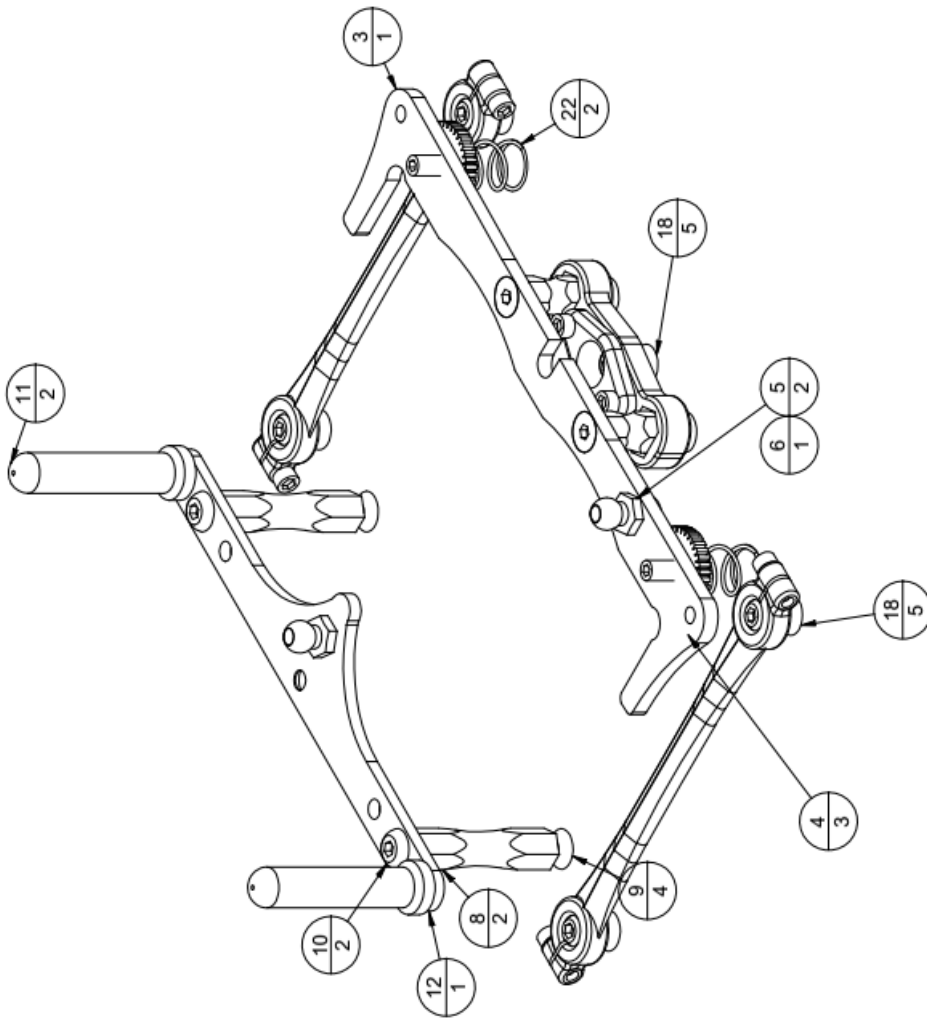


FENIX MISTRAL - 2017



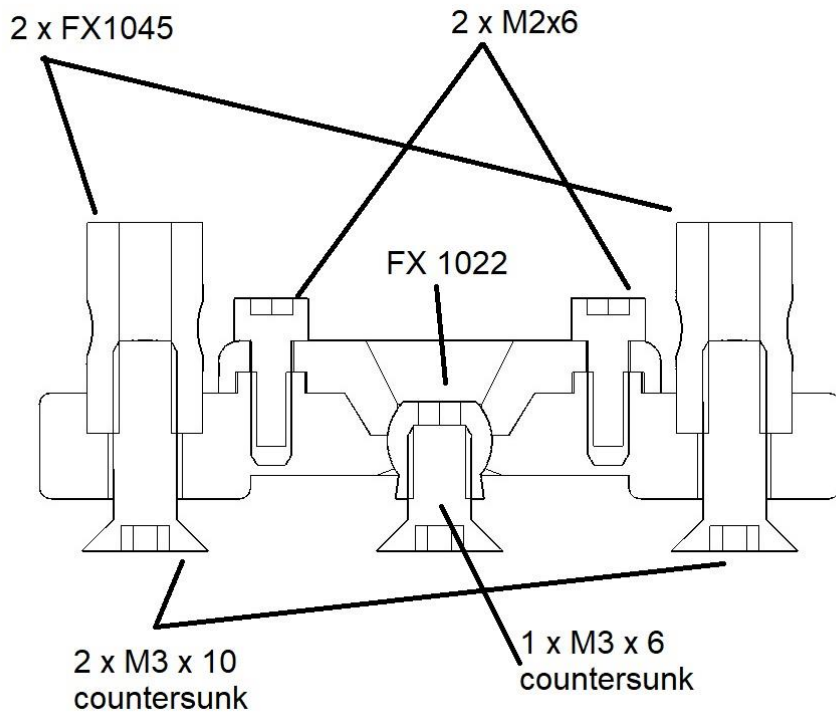
FENIX MISTRAL - 2017

Bag E

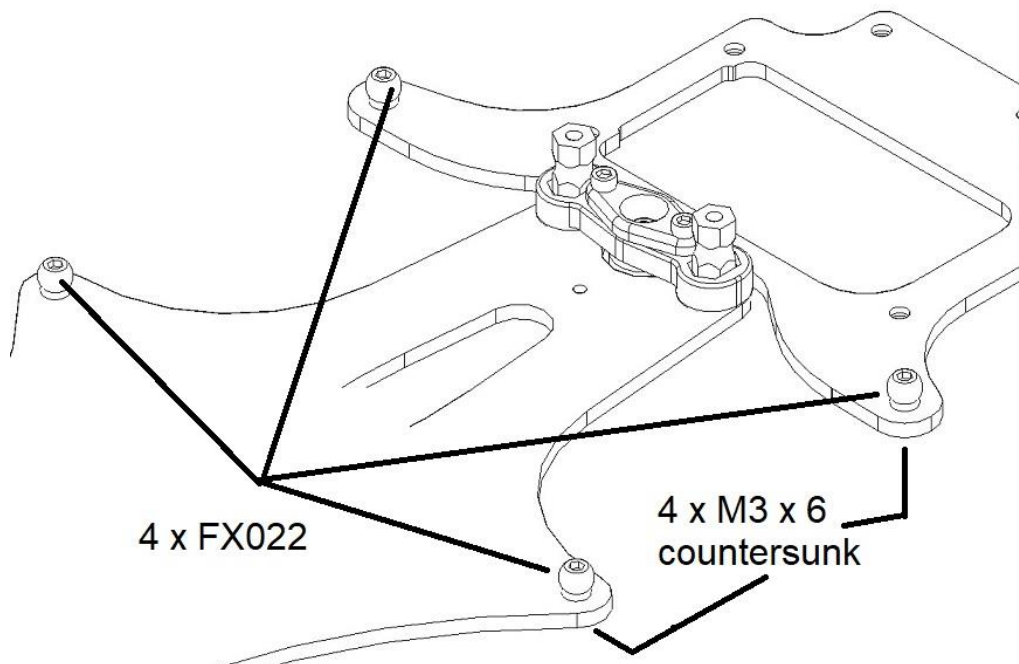


Item	CPN	Description	QTY
3	F7	REAR BATTERY HOLDER	1
4*	HW012	Screw - M3*6 - Hexagon Socket Countersunk	3
5	FX0024 - Female	Aluminum M3 Uniball 4.8	2
6	HW008	Screw - M3*6 - Hexagon Socket Button	1
8	FX1148	25mm Post	2
9	HW007	Screw - M3*8 - Hexagon Socket Countersunk	4
10	HW003	Screw - M3*8 - Hexagon Socket Button	2
11	HW015	Body bost	2
12	F6	Shock Holder	1
13*	FX022	Suspension Sphere - link	5
14*	FX0015	Side link kit - Pivot	1
15*	FX0015	Side link kit - cover	1
16*	HW014	Screw - M2*6 - Hexagon Socket Cylinder	6
17*	FX1045	10mm Post	2
18	HW012	Screw - M3*6 - Hexagon Socket Countersunk	5
19*	HW004	Screw - M3*10 - Hexagon Socket Countersunk	2
20*	FX0015	Side Links kit - link	2
21*	FX0015	Side Link kit - spring holder	2
22	TS01806	Side spring	2
23*	HW013	Grub screw M3*8	2

FENIX MISTRAL - 2017

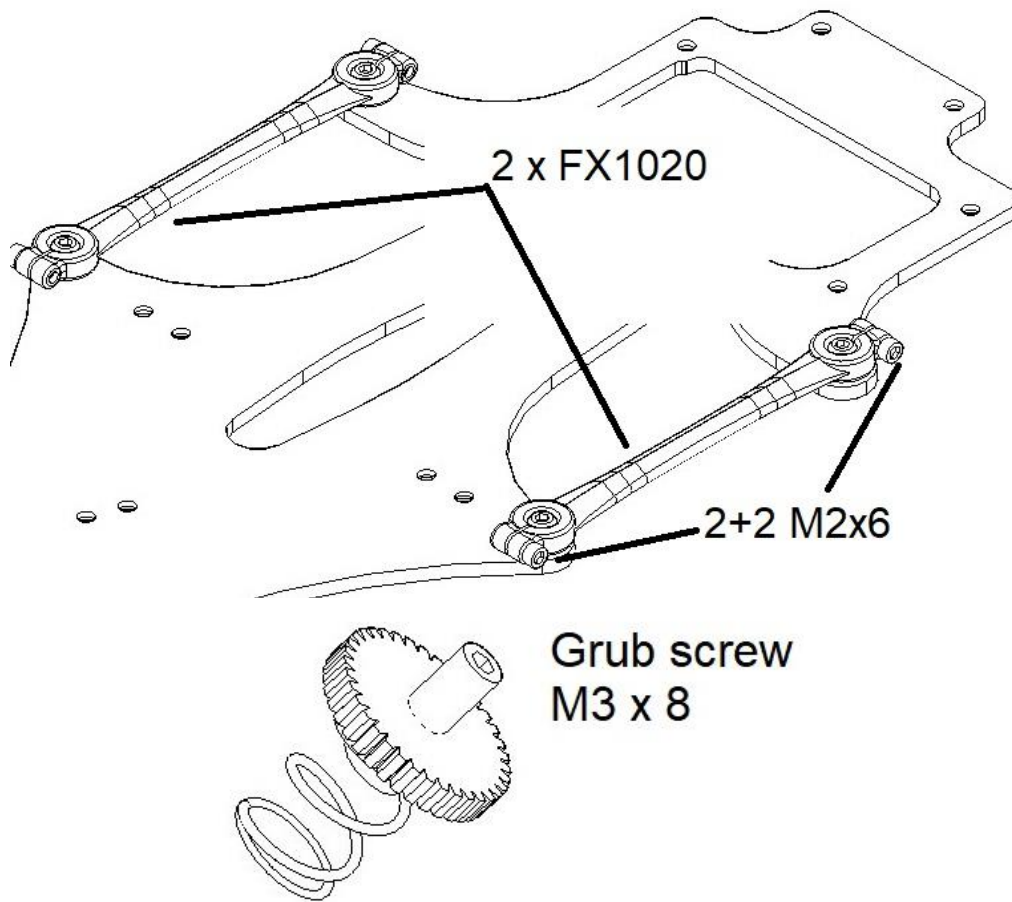


NOTE: PUT A DROP OF SHOCK OIL OVER THE SPHERE AND CAREFULLY TIGHT M2X6 SCREWS. THE SPHERE SHOULD MOVE FREELY WITHOUT TOO MUCH PLAY

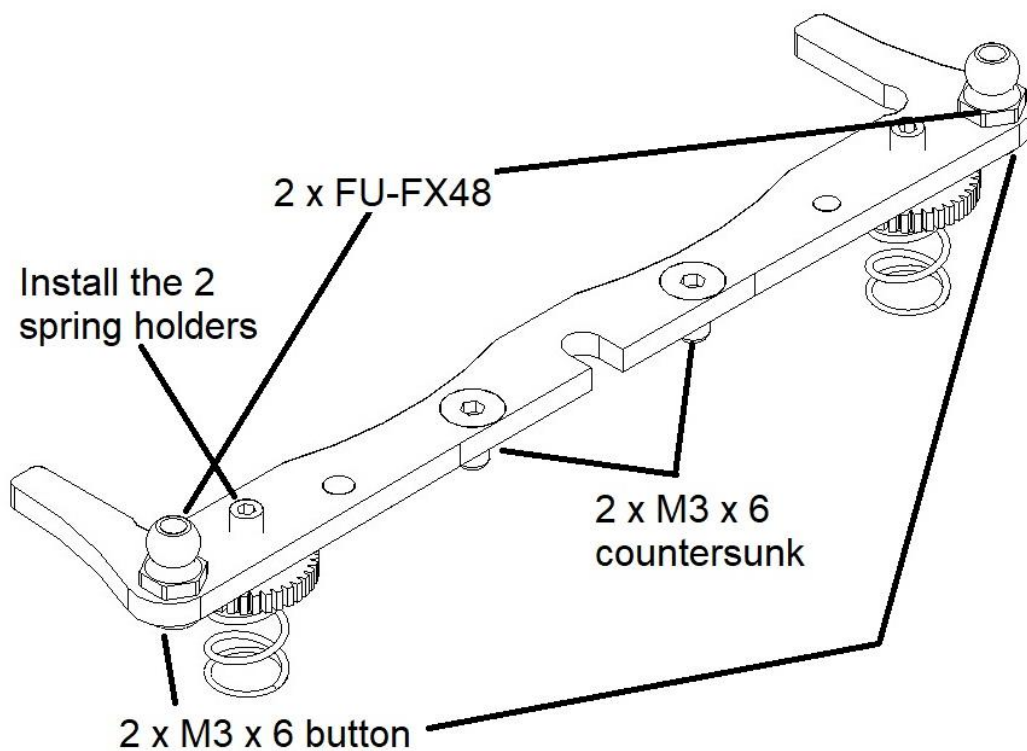


Note: when using the 7075 Alu chassis, use the provided 0,5 shims under all 5 FX022

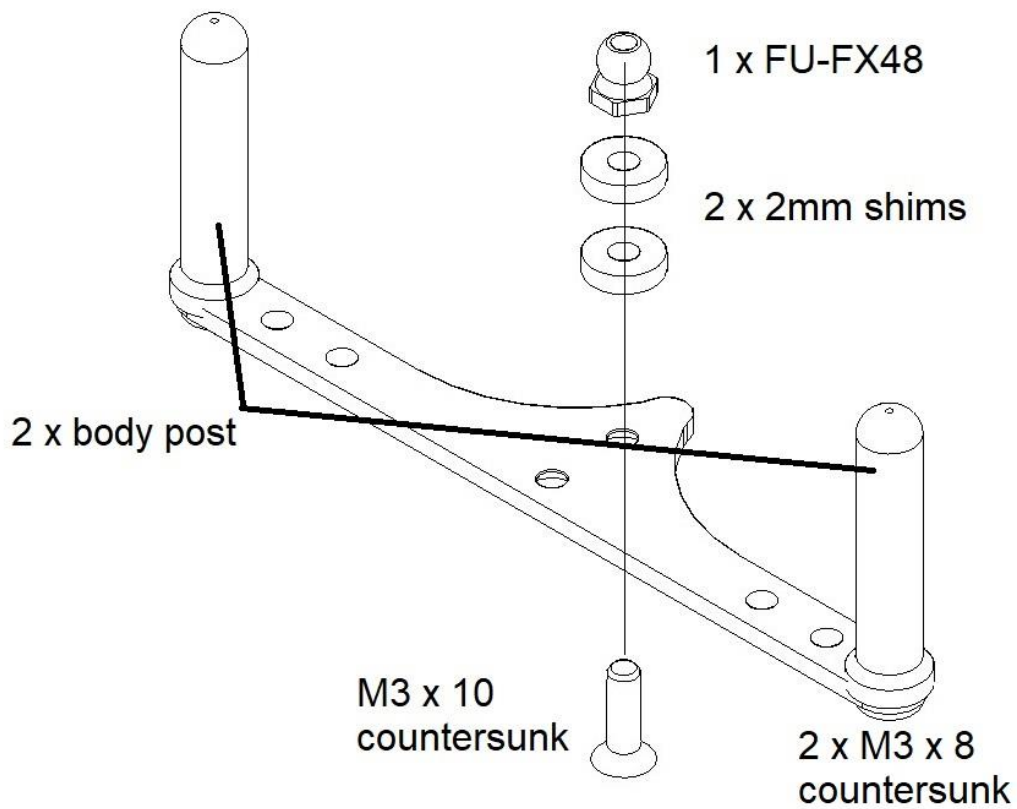
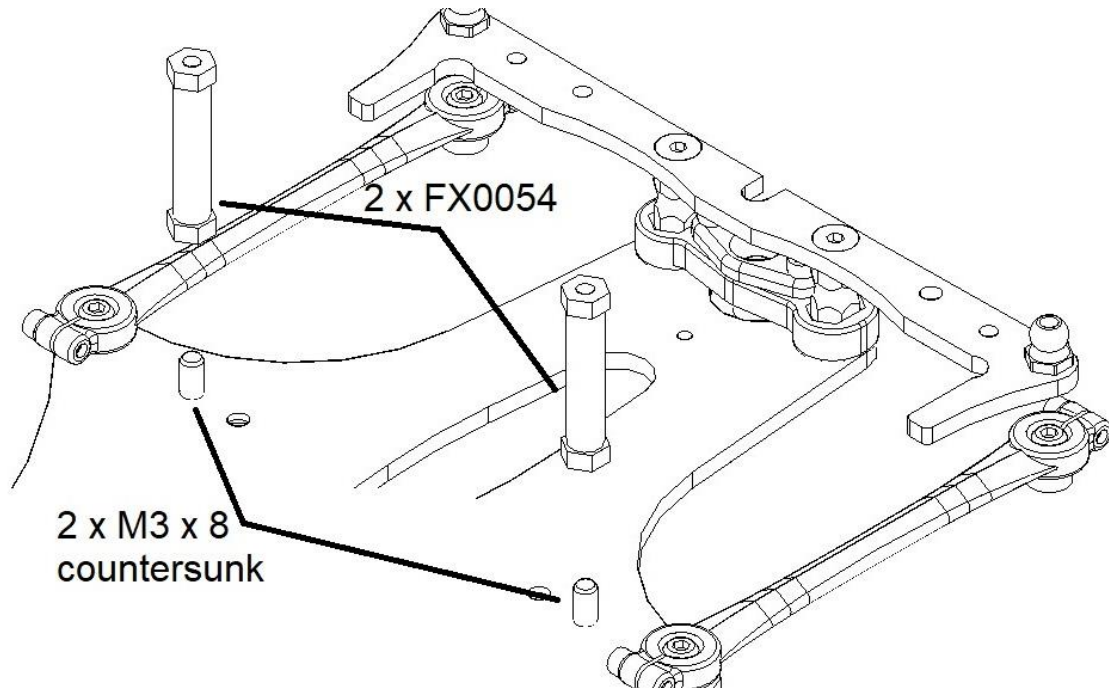
FENIX MISTRAL - 2017



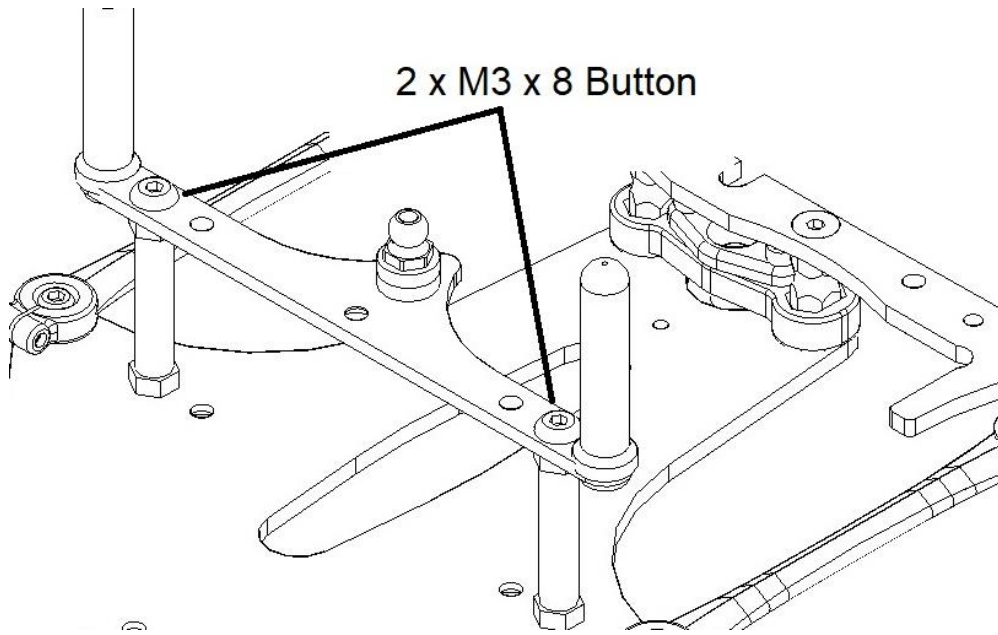
Note: you might want to reduce the external diameter of the spring holder to get a more rearward battery fitting.

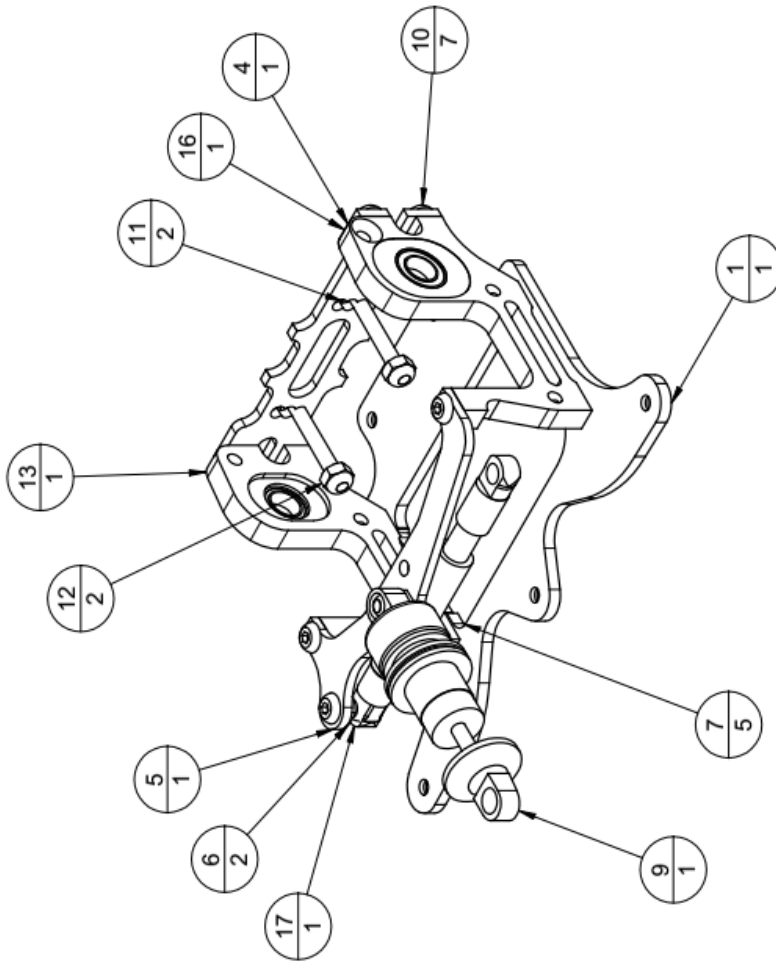


FENIX MISTRAL - 2017



FENIX MISTRAL - 2017

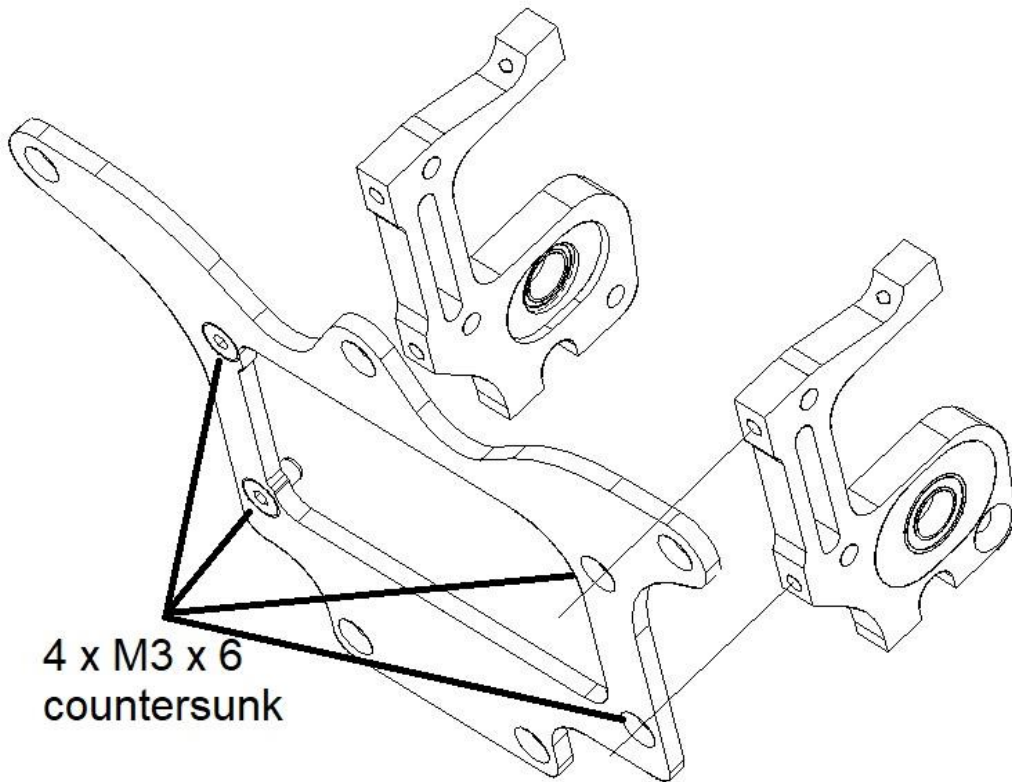




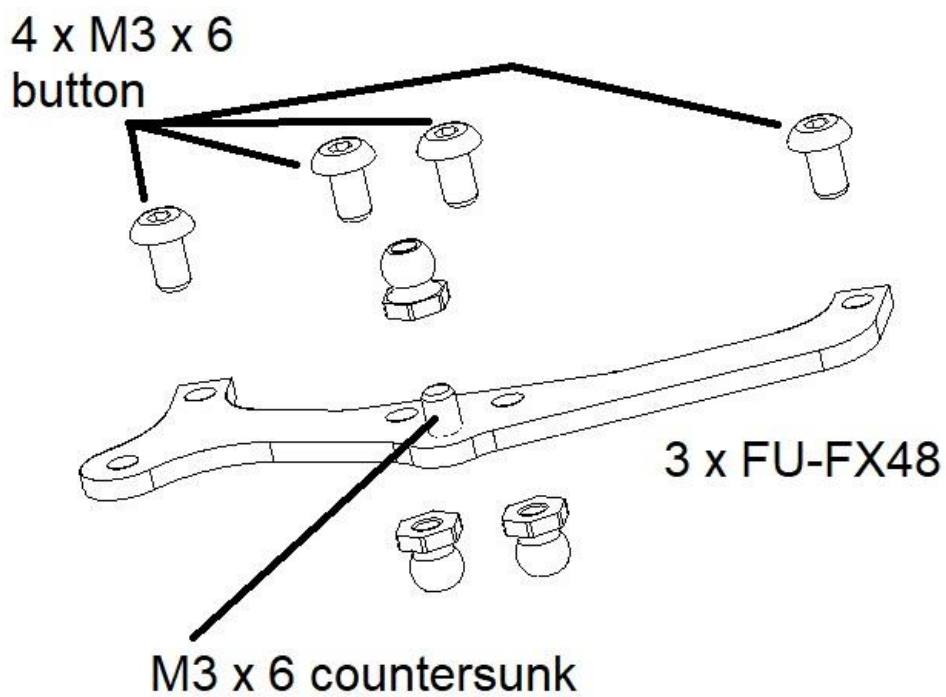
Bag F

Item	CPN	Description	Qty
1	F4 - POD	Mistral Motor Pod	1
4	F15	Motor Pod Wing Holder	1
5	F10	Motor Pod Upper plate	1
6	FX0024 - Female	Aluminum M3 Uniball 4.8	2
7	HW012	Screw - M3*6 - Hexagon Socket Countersunk	5
9	BM-010	Black Mistral shock kit	1
10	HW008	Screw - M3*6 - Hexagon Socket Button	7
11	HW014	Screw - M3*20 - Hexagon Socket Button	2
12	HW002	M3 Self Locking nut - standard	2
13	FX050-A	MOTOR HOLDER - A	1
14*	FX0048	Ride height adjuster - (for FX050 motor holder)	2
15*	FX14-38	Ball Bearing Flanged 3/8"x1/4"	2
16	FX050-B	MOTOR HOLDER B	1
17	BM-011	Black Mistral single damper - part 1	1
18*	BM-011	Black Mistral single damper - part 2	1

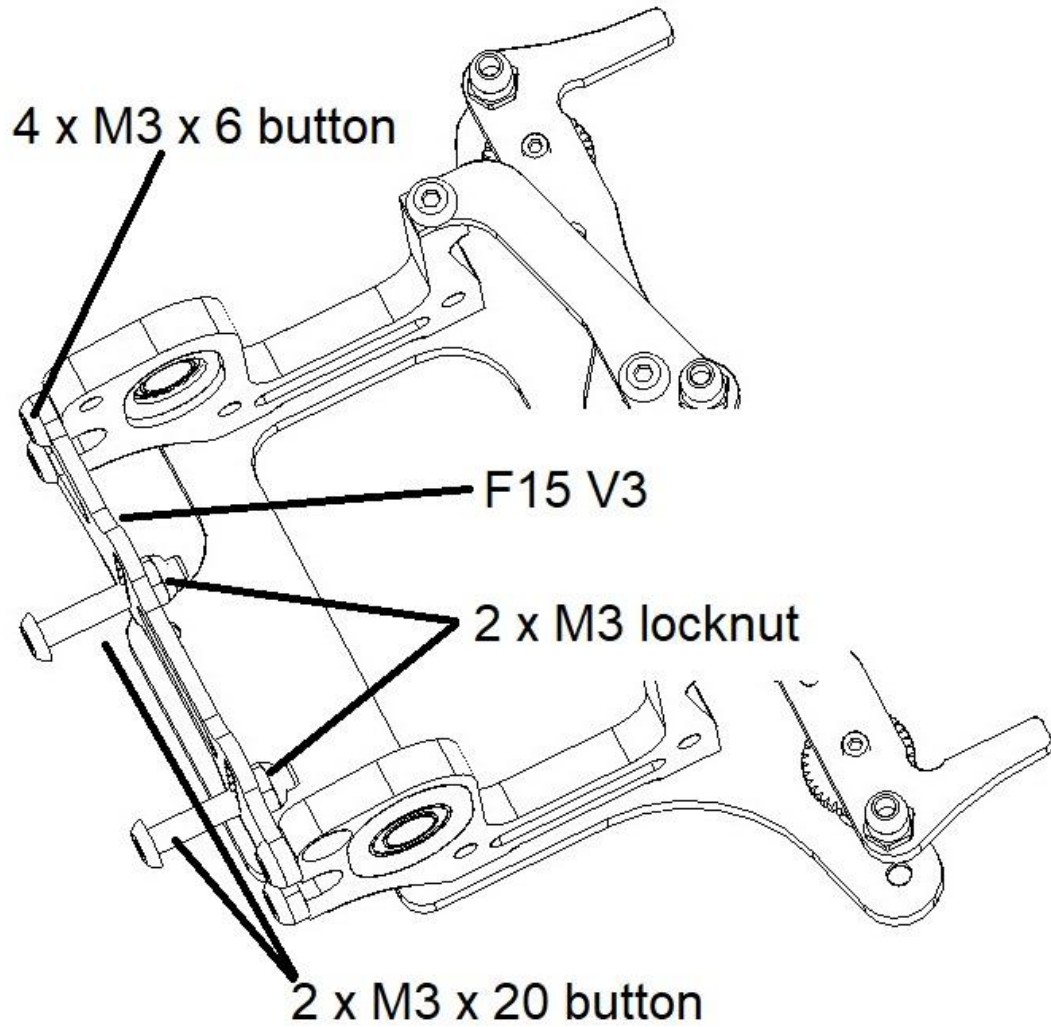
FENIX MISTRAL - 2017



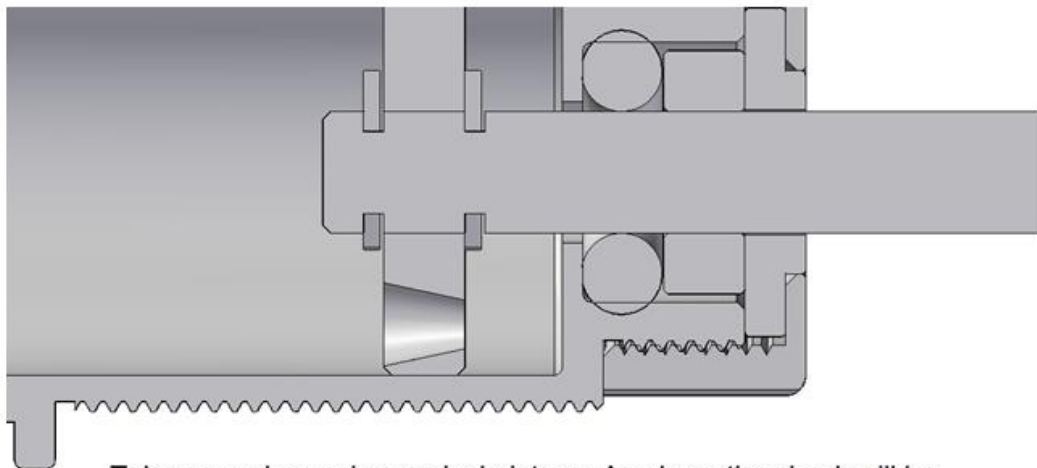
Insert the eccentric and the ¼" flanged bearing in the motor holder



FENIX MISTRAL - 2017

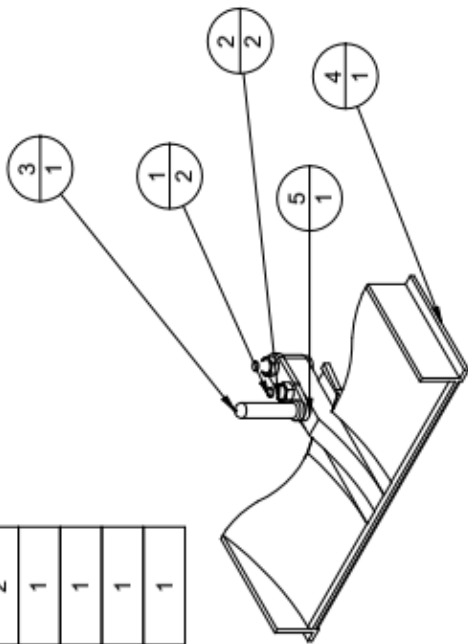
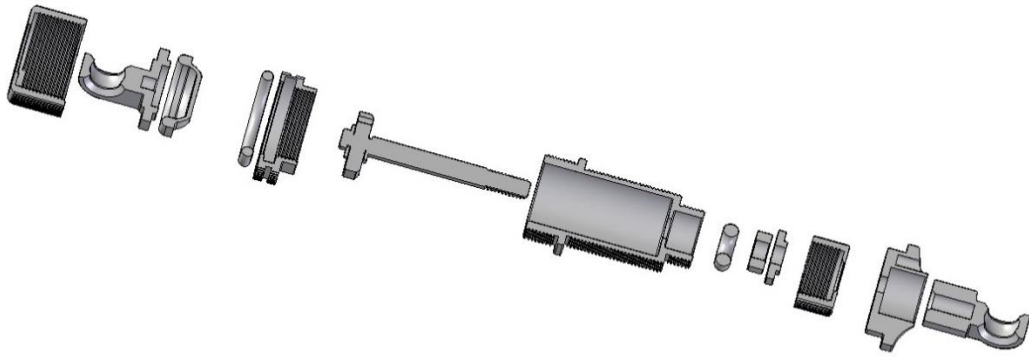


Differential: Please refer to the separate instruction sheet

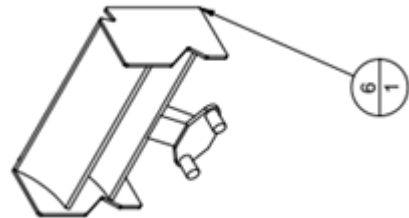


Take care when using conical pistons. As show, the shock will be harder in compression and softer in extension

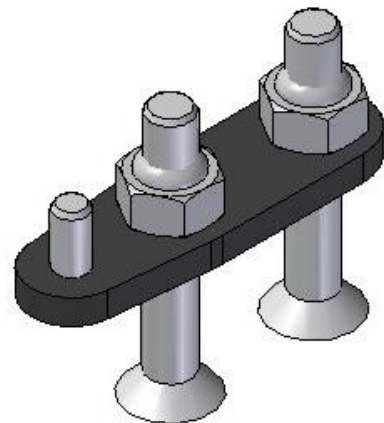
FENIX MISTRAL - 2017



Bag G

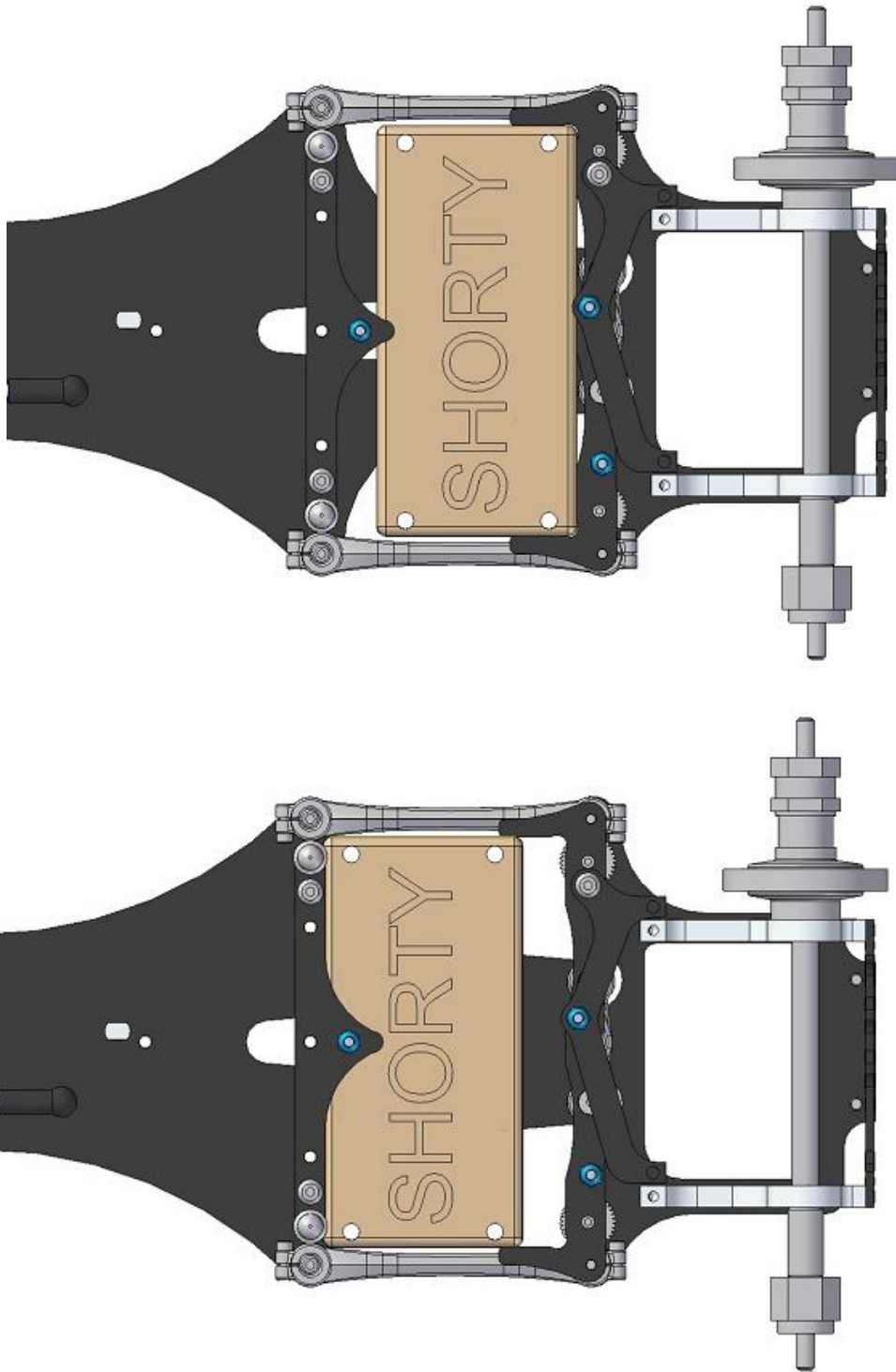


Item	CPN	Description	Qty
1	HW017	Screw - M4*25 - Hexagon Socket Countersunk	2
2	HW006	Self locking nut M4 - standard	2
3	HW015	Body bost	1
4	MKB1	Fenix front wing	1
5	BH1	body holder	1
6	MKN1	Fenix Rear Wing	1



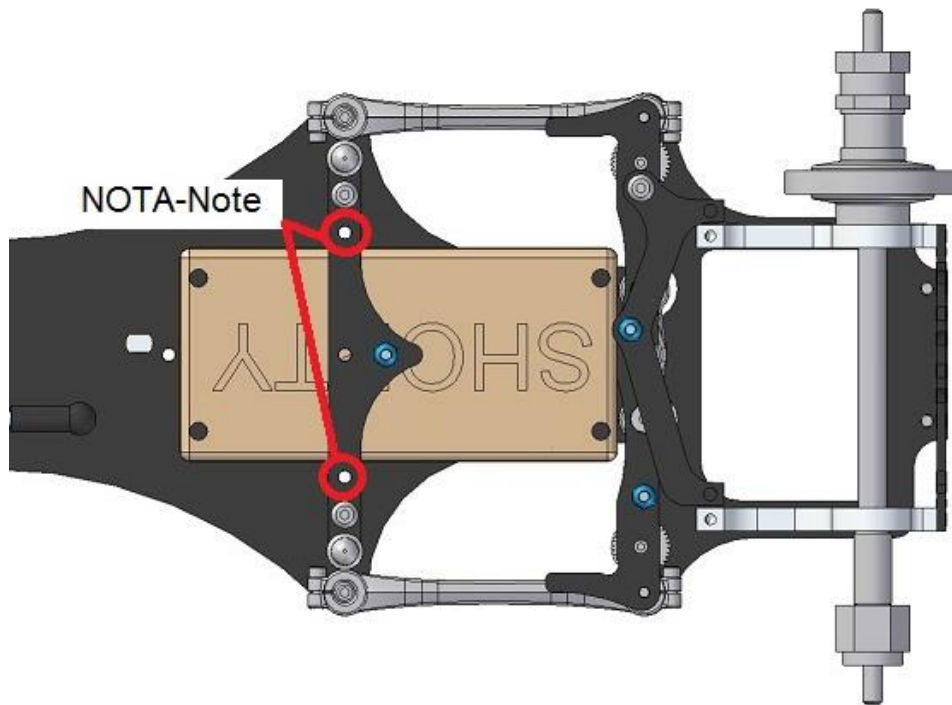
FENIX MISTRAL - 2017

Posizione della batteria - Battery position



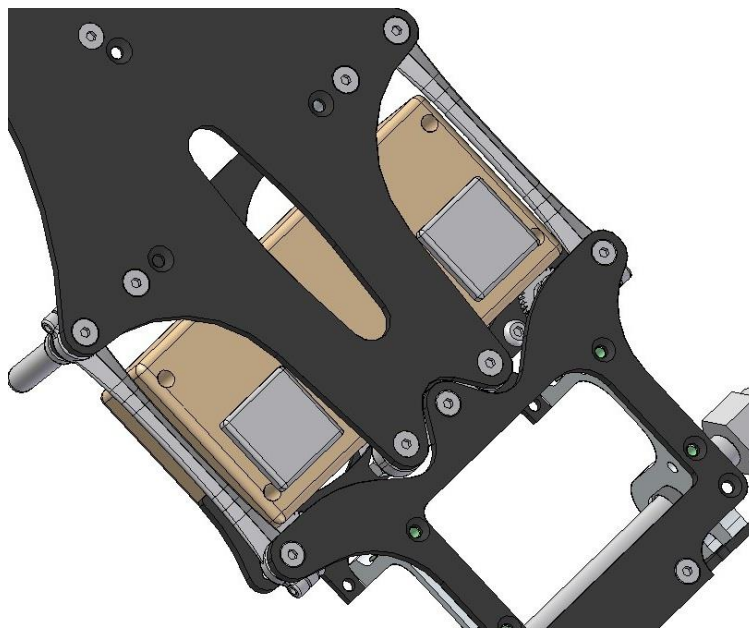
Cross battery, can be placed fully backward or 10mm toward the front end.

FENIX MISTRAL - 2017



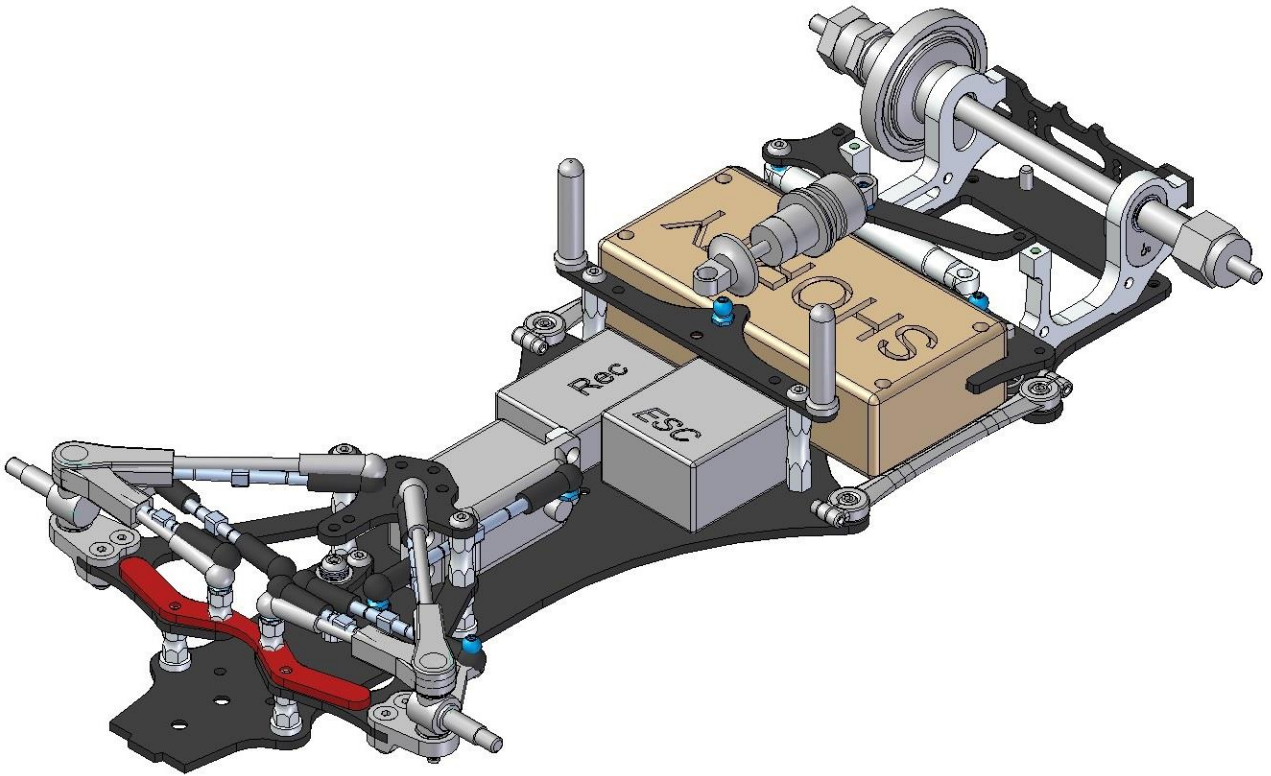
Note: Using in line battery, FX1148 posts, might be used closer to the battery.

TECH TIP!



When using "Slim" Shorty batteries, ballast can be locate below the batteries, getting the advantage by lowering the COG. Another good place, might be below the rear axle

FENIX MISTRAL - 2017



Typical electronic setup (not included)