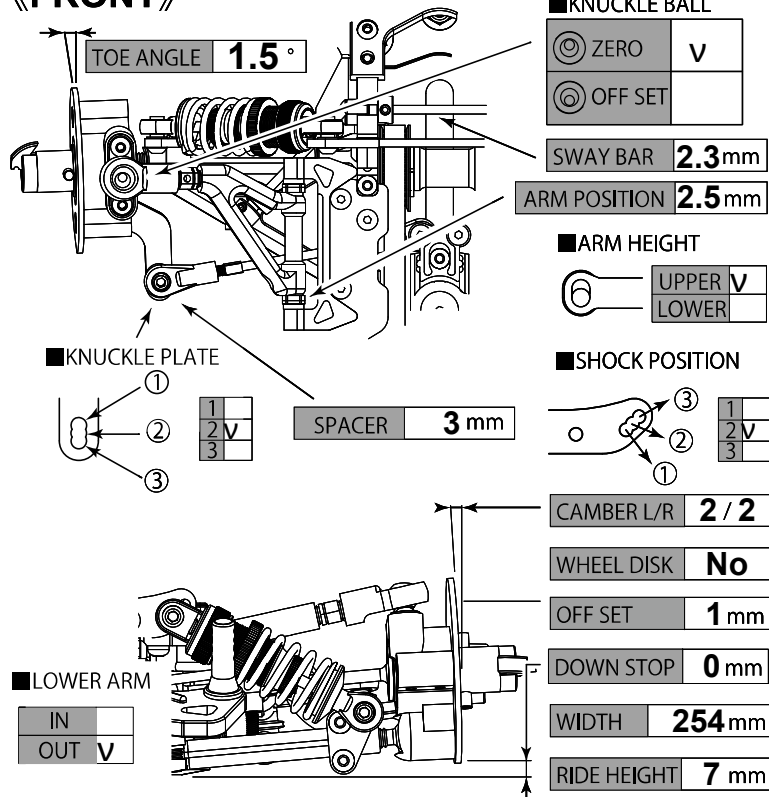


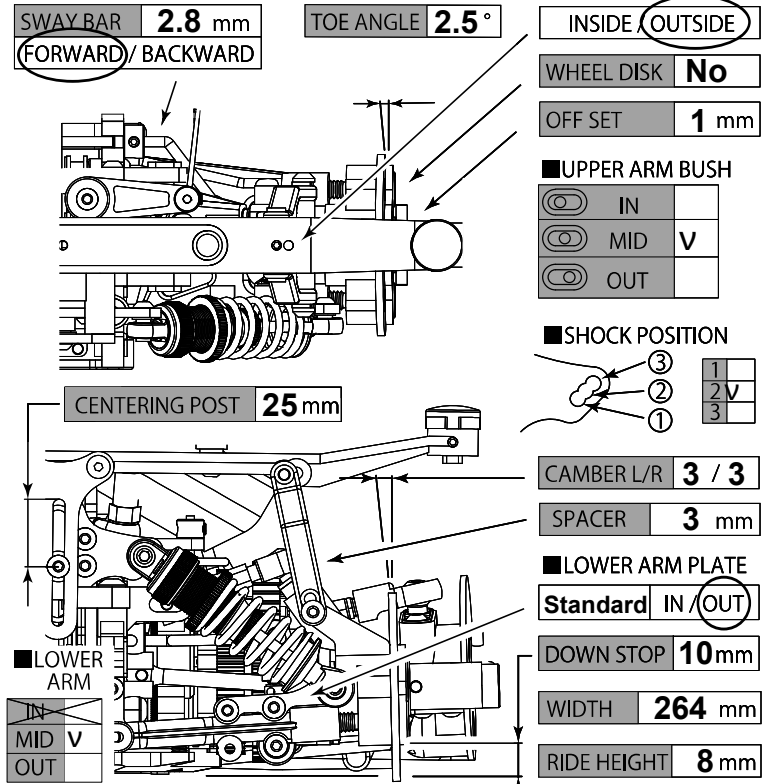
DATE	16 Feb 2016	DRIVER	Basic Set-Up	TRACK	
TEMP		BODY SHELL	BLITZ TS030 / 27 mm	REAR WING	8 mm
ENGINE		PIPE		PLUG	

FRONT TIRE	L ULTI Light 32 shore / R ULTI Light 32 shore	CLUTCH BELL	STANDARD(Kit)	1st PINION GEAR	16 T	SHOCK OIL (F/R)	STANDARD(Kit) STANDARD(Kit) #600 / #600
REAR TIRE	L ULTI Light 35 shore / R ULTI Light 35 shore	CLUTCH SHOE	STANDARD(Kit)	2nd PINION GEAR	20 T	SPRING (F/R)	STANDARD(Kit) STANDARD(Kit) 1.9-6T / 1.9-7T
FRONT TIRE φ	L 68 mm / R 68 mm	BELL CLEARANCE	0.5 mm	1st SPUR GEAR	50 T	SHOCK PISTON (F/R)	STANDARD(Kit) STANDARD(Kit) 1.3x1 / 1.1x2
REAR TIRE φ	L 75 mm / R 75 mm	CLUTCH SPRING	0.8 mm	2nd SPUR GEAR	45 T	SHOCK O-RING	STANDARD(Kit) (White)

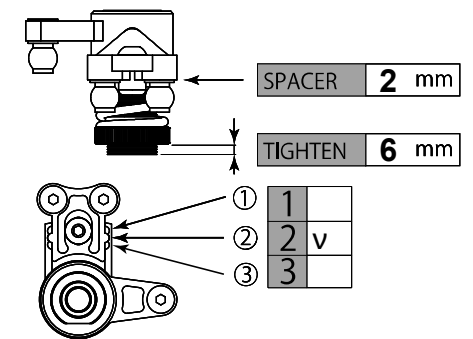
《FRONT》



《REAR》



■ SERVO SAVER



■ CHASSIS WEIGHT

