

IF11 SET-UP SHEET

NAME Jitse Miedema
 DATE 28 July 2019
 TRACK Hudy Arena, Slovakia
 EVENT ETS rnd#6 2019

QUAL POSITION 3 FINAL POSITION 4 BEST LAP 21.0 sec RACE LENGTH 5 min

TEMPERATURE AIR 35 TEMPERATURE TRACK 55

TRACK
 TRACK SURFACE ASPHALT CARPET
 TRACK LAYOUT TECHNICAL MIXED FAST
 TRACTION LOW MEDIUM HIGH

GEARING
 PINION GEAR 44 SPUR GEAR 84 FINAL DRIVE RATIO 1.90

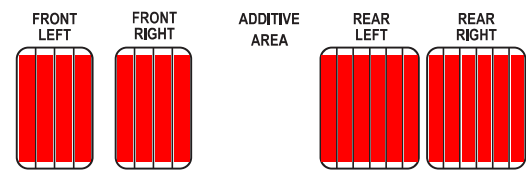
DIFF SETTING
 LOOSE MEDIUM TIGHT

CENTER SHOCK
 SPRING Tamiya TC Blue OIL 700
 REBOUND (%) 20% INNER SHIM Standard mm
 PISTON 1 HOLES 1.1mm 1.2mm
 2 HOLES mm LENGTH 9.3 mm

OTHER

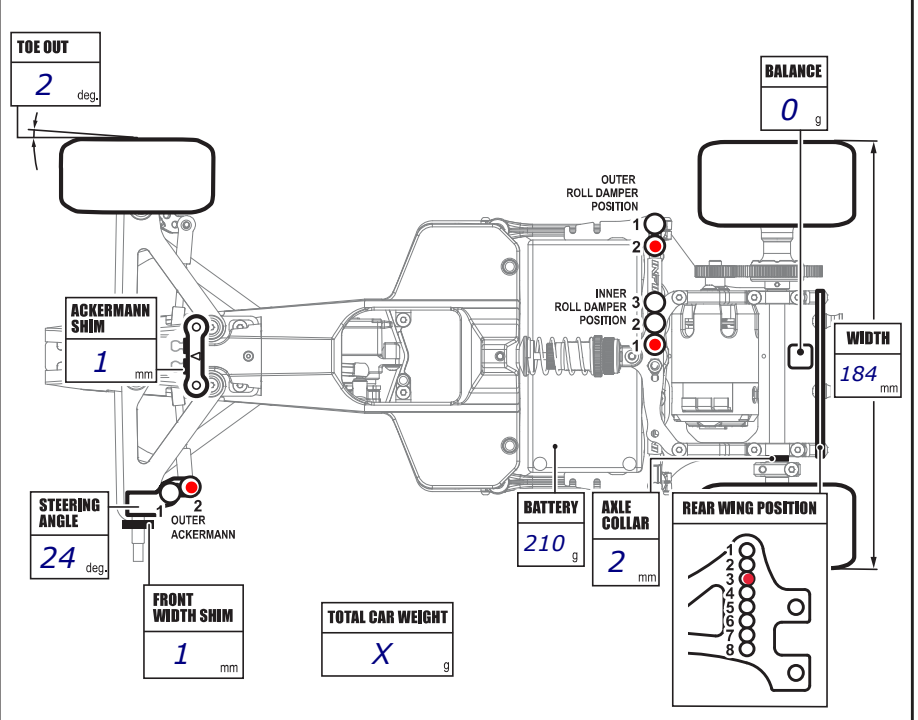
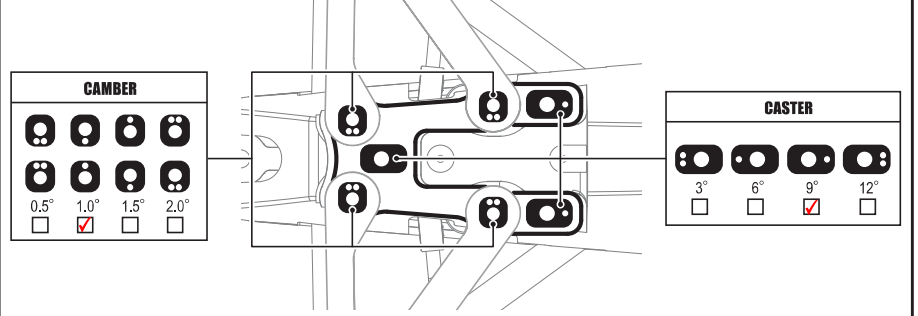
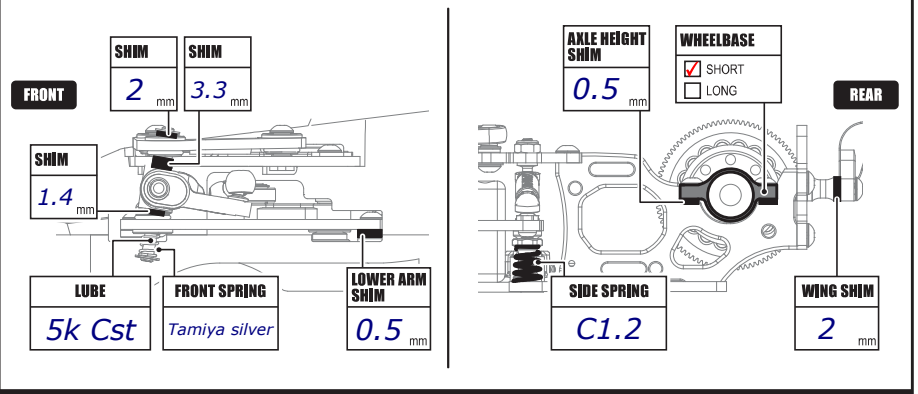
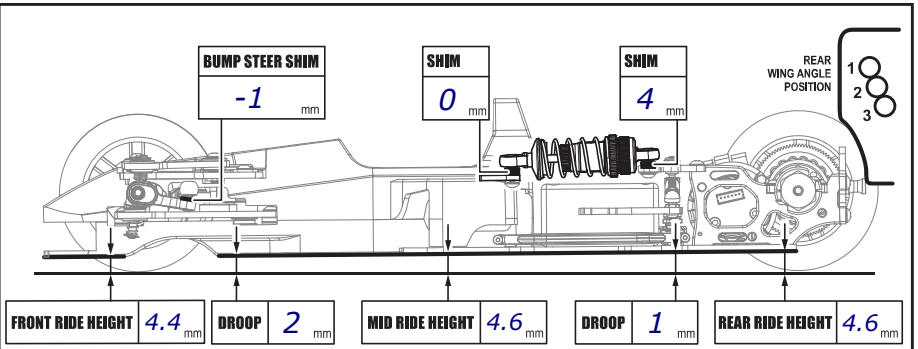
SIDE DAMPER
 OIL 40.000Cst

FRONT TIRES Volante FM **REAR TIRES** Volante HARSS
MR33 V3 ADDITIVE MR33 V3
25min ADDITIVE TIMING 20min



AERO
 BODY Protoform F26
 FRONT WING Old Montech, no flaps
 REAR WING Serpent #411292

ELECTRONICS
 MOTOR Spec TIMING Spec
 ESC Spec BATTERIES GensAce 5500



COMMENTS
Used prototype Chassis Wingmount, and prototype kingpins
Carbon rear axle.