

IF11 SET-UP SHEET

NAME Jitse Miedema
 DATE 3 March 2019
 TRACK RC Addict Bangkok
 EVENT TITC 2019

QUAL POSITION 2 FINAL POSITION - BEST LAP 18.6 sec RACE LENGTH 15 min

TEMPERATURE AIR 35 TEMPERATURE TRACK 50

TRACK
 TRACK SURFACE ASPHALT CARPET
 TRACK LAYOUT TECHNICAL MIXED FAST
 TRACTION LOW MEDIUM HIGH

GEARING
 PINION GEAR 37 SPUR GEAR 92 FINAL DRIVE RATIO 2.48

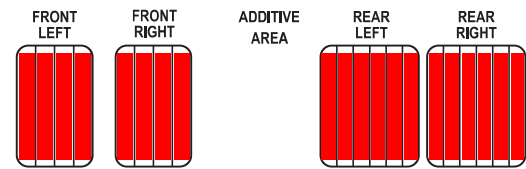
DIFF SETTING
 LOOSE MEDIUM TIGHT

CENTER SHOCK
 SPRING Tamiya TC yellow OIL 600 Cst
 REBOUND (%) 20% INNER SHIM Standard mm
 PISTON 1 HOLES 1.1mm 1.2mm LENGTH 9.2 mm
 2 HOLES

OTHER

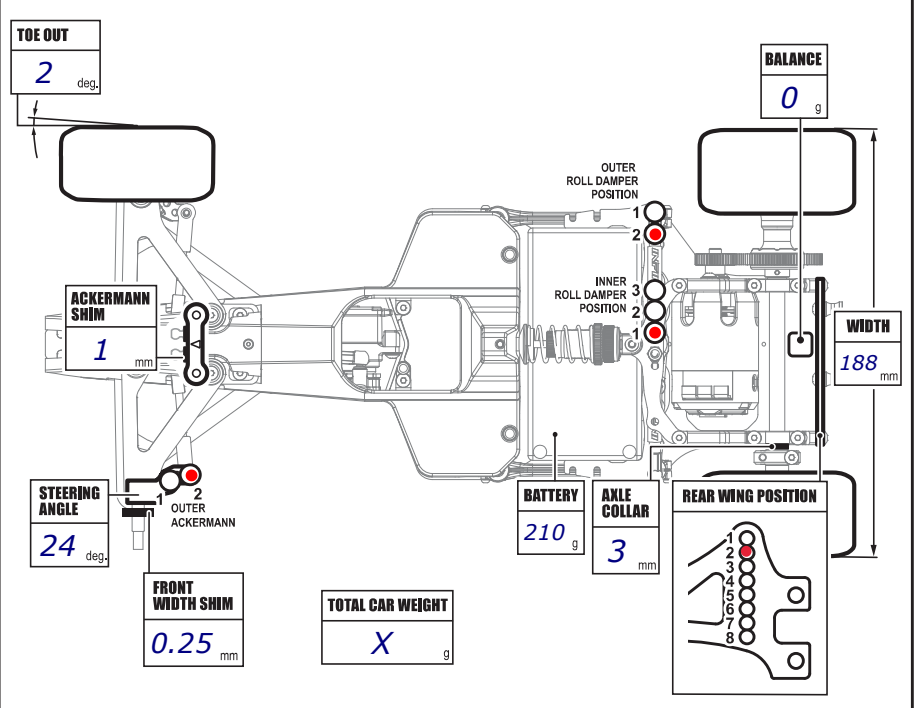
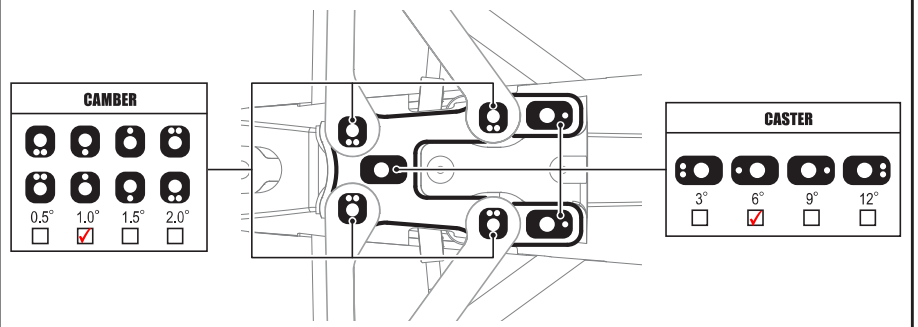
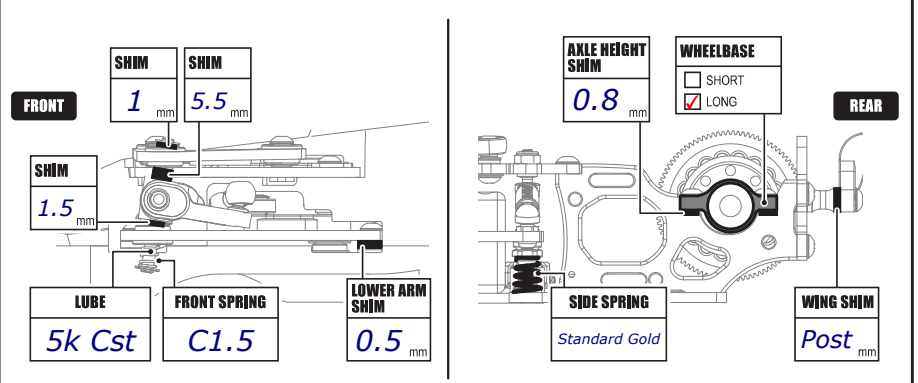
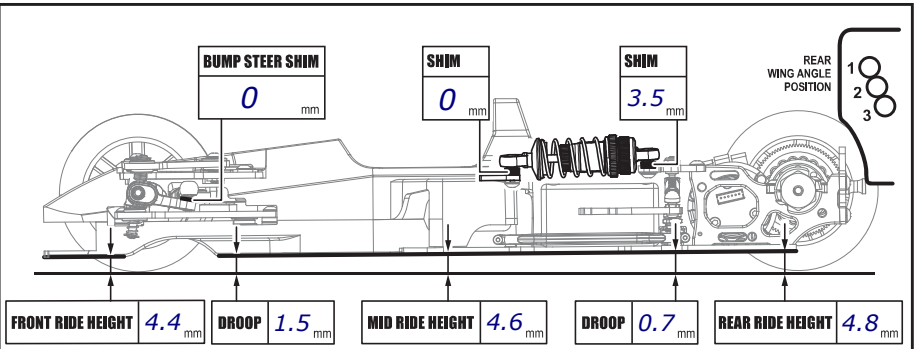
SIDE DAMPER
 OIL 40.000Cst

FRONT TIRES Ride GR **REAR TIRES** Ride GR
 Tire Tweak + Mighty Yellow ADDITIVE Tire Tweak + Mighty Yellow
 20 + 5min ADDITIVE TIMING 20 + 5min



AERO
 BODY Protoform F26
 FRONT WING Montech 2017, no flaps
 REAR WING Serpent #411292

ELECTRONICS
 MOTOR Hobbywing G3 21.5 TIMING -
 ESC Hobbywing Justock BATTERIES GensAce 5500



COMMENTS
Used prototype Chassis Wingmount, and prototype kingpins
Carbon rear Axel
End of the day car gets aggressive. traction is super high