

IF11 SET-UP SHEET

NAME Jitse Miedema
 DATE 30 June 2019
 TRACK AMCA Apeldoorn, Netherlands
 EVENT ETS rnd#5 2019

QUAL POSITION 3 FINAL POSITION 3 BEST LAP 18.2 sec RACE LENGTH 5 min

TEMPERATURE AIR 33 TEMPERATURE TRACK 55

TRACK
 TRACK SURFACE ASPHALT CARPET
 TRACK LAYOUT TECHNICAL MIXED FAST
 TRACTION LOW MEDIUM HIGH

GEARING
 PINION GEAR 43 SPUR GEAR 84 FINAL DRIVE RATIO 1.95

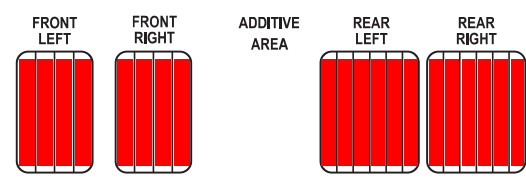
DIFF SETTING
 LOOSE MEDIUM TIGHT

CENTER SHOCK
 SPRING Standard OIL 650
 REBOUND (%) 20% INNER SHIM Standard mm
 PISTON 1 HOLES 1.1mm 1.2mm
 2 HOLES mm LENGTH 9.9 mm

OTHER Preload 5.85mm

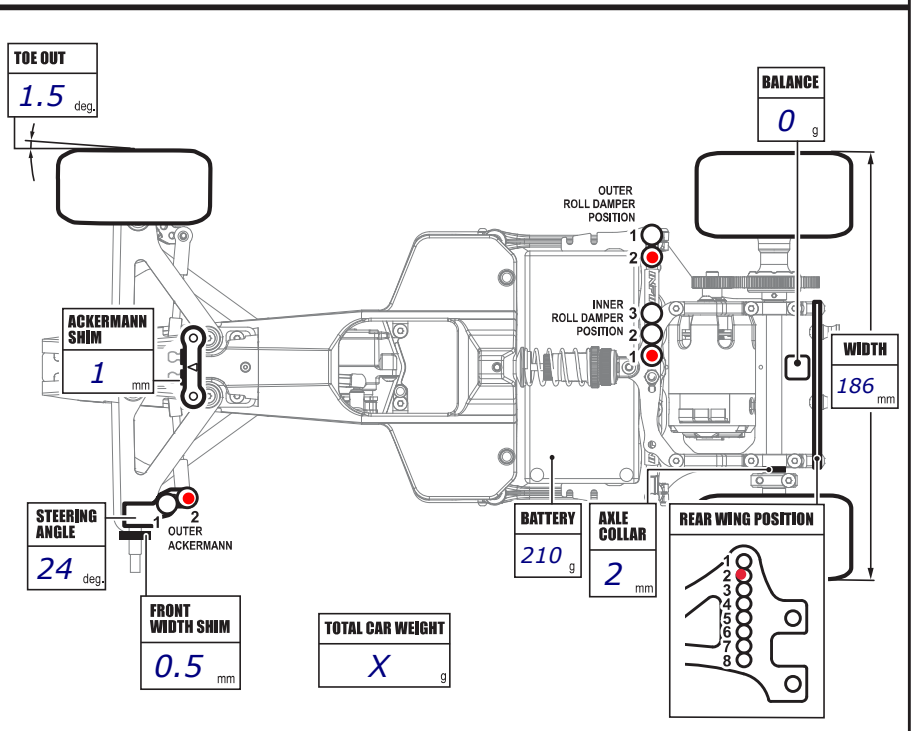
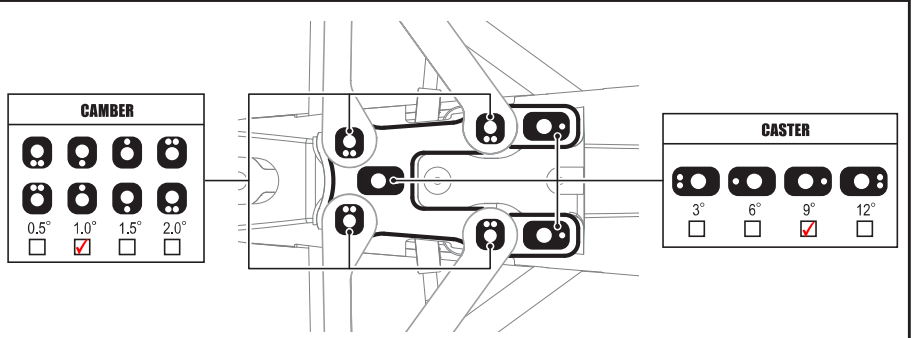
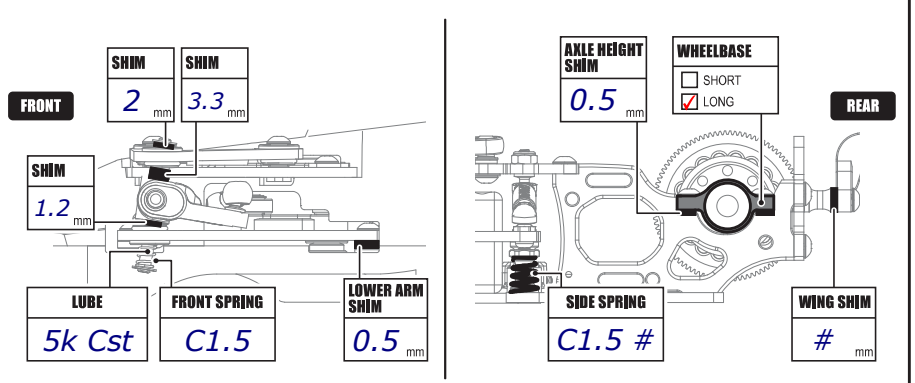
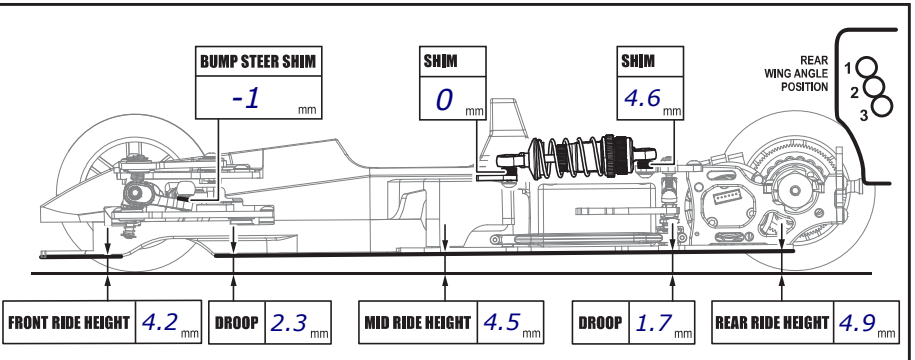
SIDE DAMPER
 OIL 30.000CST

TIRES
 FRONT Volante FM REAR Volante HARSS
MR33 V3 ADDITIVE MR33 V3
15 ADDITIVE TIMING 20



AERO
 BODY Protoform F26
 FRONT WING old Montach, no flap
 REAR WING Serpent #411292

ELECTRONICS
 MOTOR Spec TIMING Spec
 ESC Spec BATTERIES GensAce



COMMENTS
Used prototype Chassis Wingmount, and prototype kingpins
Sidesprings 0.3mm free from the podplate
Wing in front of the wingmount