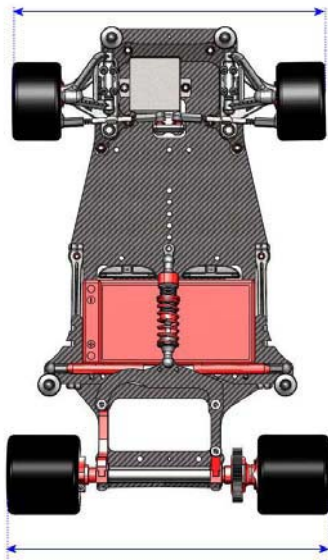


CRC XTI-WC SETUP SHEET

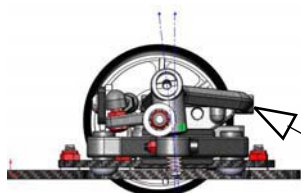
Driver: _____ Composition: Asphalt (Indoor Outdoor) Carpet Open Tight
 Date: _____ Traction: Low High Surface: Smooth Bumpy
 Event: _____ Body: _____ Motor: _____ Spur: _____ Pinion: _____
 City: _____ Battery: _____ Servo: _____ Receiver: _____
 Result: _____ ESC: _____ Settings: _____

Width: _____ mm



Width: _____ mm

Caster Angle: _____ °



Caster Shim:

Front: _____ Shim

Rear: _____ Shim

Caster Block

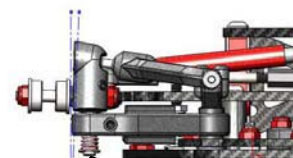
0° 5° 10°

Roll Center Adjusters: _____

Battery Position: Inline Sideway

Notes:

Camber Angle: _____ °

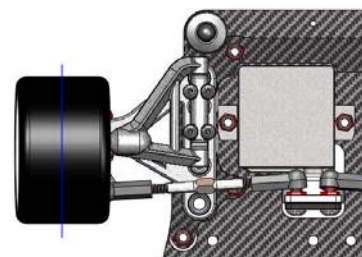


Spring: _____

Rebound: _____ mm

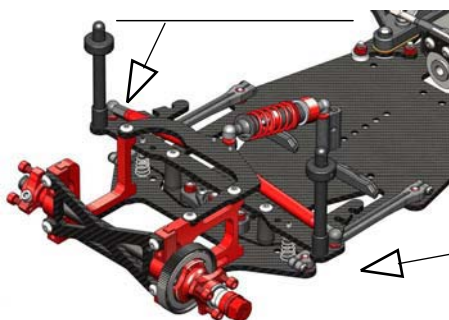
Graphite Brace

Toe: _____ ° Yes No



Servo Horn: _____

Damper Tube Lube:



Side Link Spacer:

Front: _____ Shim

Rear: _____ Shim

Side Spring:

Preload: _____

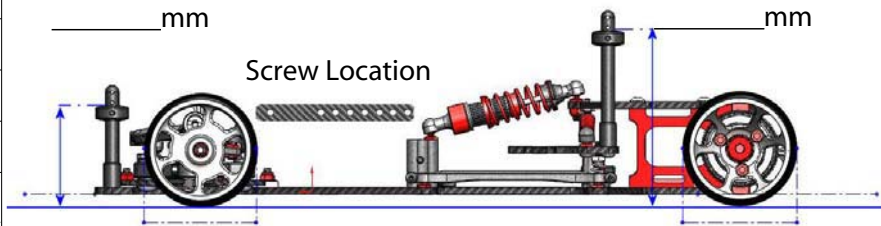
	Front	Rear
Tire		
Diameter		
Wheel		
Additive		
Surface		
Time		

Damper	
Oil	
Spring	
Piston	
Rebound	
Diaphragm	
Notes	

Body Height: _____ Chassis: _____ Body Height:

_____ mm

_____ mm



Ride Height:

Front: _____ mm

Middle: _____ mm

Rear: _____ mm

Notes