

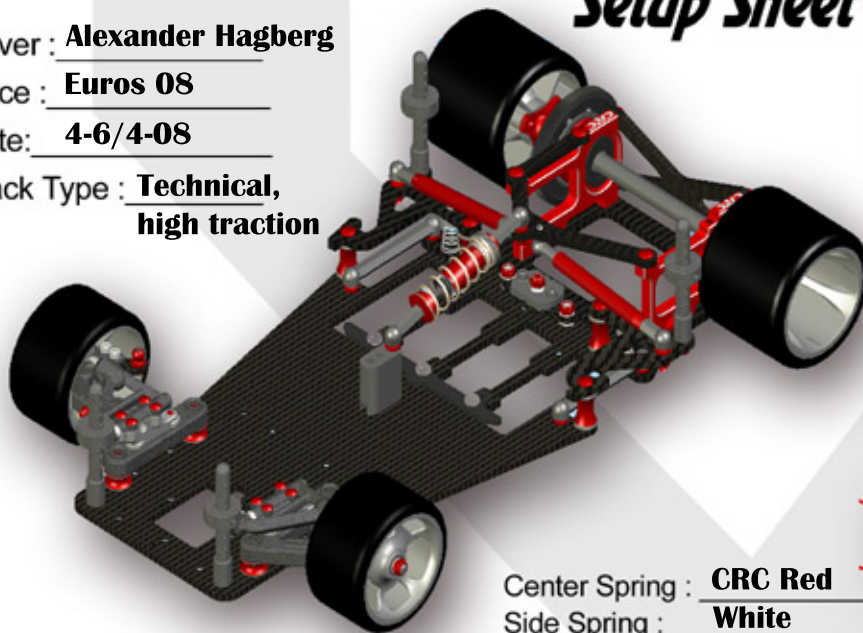
CARPET KNIFE Generation X Setup Sheet

Driver : Alexander Hagberg

Race : Euros 08

Date : 4-6/4-08

Track Type : Technical,
high traction

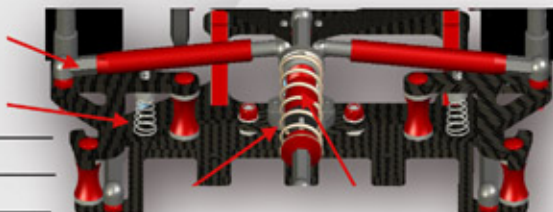


Rear End

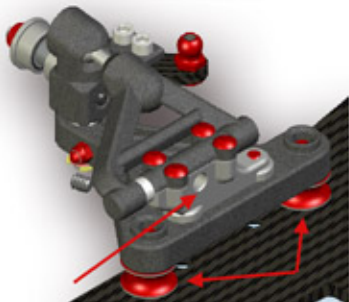


Battery Position: Forward

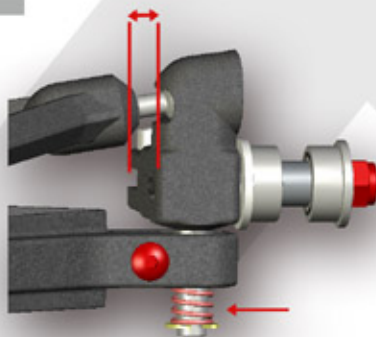
Center Spring : CRC Red
Side Spring : White
Damper Tube : CRC Blue
Shock Oil : Xray 400 wt



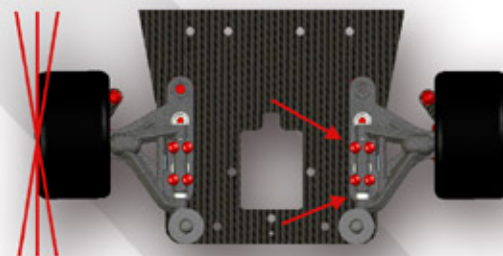
Front End



Ride Height Adjuster : 3 + 1mm
Caster Block : 5 0



Front Spring : .45 mm
Camber : -0.5 0



Caster Shims : 1 front 2 back
Toe Angle : -0.5 0

Tires - Ride Height - Droop

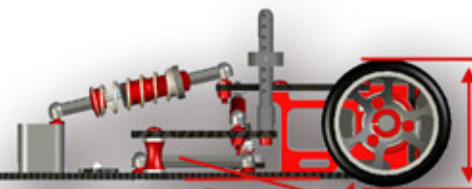
Parma Pro 38

Front Tire Cmpd : Magenta
Tire Size : 41.0
Treatment :: CS Grip High



Ride Height : Front 3.8 mm
Rear Pod Droop : 0.5 mm

Parma ZyteK Bodyshell



Center : 3.8 mm Rear : 4 mm

Parma Pro 38

Rear Tire Cmpd : Grey
Tire Size : 44.0
Treatment :: CS Grip High

Other Notes: Long front arms, pin brace stiffener
additive 40 minutes rear, 10 minutes front 30%



CALANDRA RACING CONCEPTS
6785 MARTIN STREET ROME, NY 13440, USA
PHONE & FAX: (315) 338-0867

<http://www.teamcrc.com>
info@teamcrc.com