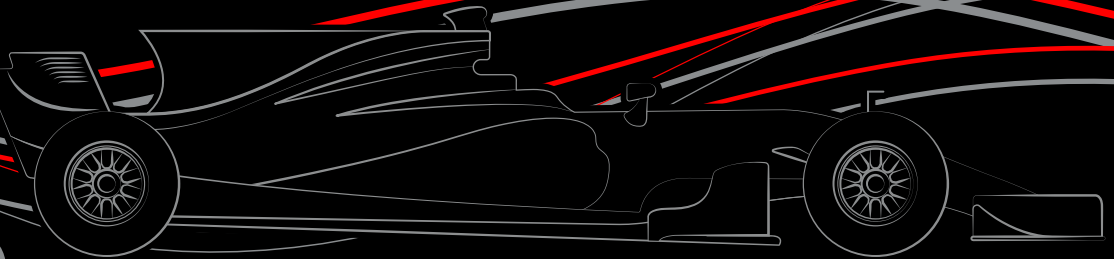




FX10

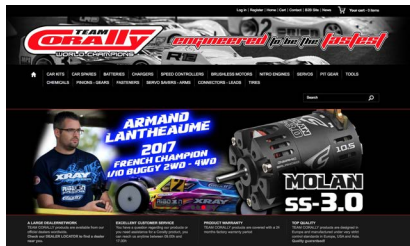
Engineered to be the fastest



INSTRUCTION MANUAL

**STAY
TUNED...**

WWW.CORALLY.COM



<https://www.facebook.com/Team.Corally>

RECOMMENDED ACCESSORIES

To obtain the maximum performance out of your FSX-10 we recommend the following accessories

"CS 4014" SERVO ULTRA HIGH SPEED HIGH VOLTAGE SERVO

C-52002



- Ultra High Speed
- High Voltage 6 - 8.4V
- Coreless Motor
- Titanium Gears
- 12 Kg Torque/cm @ 7.4V
- Speed 0.08 sec/60°
- 40.5 x 20.5 x 26mm

DYNOSPEED SPEC 3.0 STOCK 215T

C-61103



Features

- Precision machined T6 aluminium motor can
- High purity copper windings maximizes conductivity
- High power solder tabs
- Removable and replaceable rotor
- Powerful sintered Neodymium magnet
- Improved stator design for higher efficiency
- Dual Sensor Port
- Adjustable Timing
- Compatible with all Sensored/ Sensorless ESC
- Compliant with EFRA, BRCA, IFMAR, ROAR rules

CONTROLLER "CERIX 120 PRO"

C-53002-1



- For sensored and sensorless motors
- Manufactured with the highest grade components
- Ultra compact design
- Aluminium case for improved heat dissipation
- Built in power switch
- Advanced boost & turbo timing system for improved acceleration performance
- Enhanced throttle & brake control function.
- 10 programmed profiles can be stored in the ESC
- BEC voltage 6.0V 3A Current
- Powerful TC Link software to test motor timing and advise the best ESC timing setting

VOLTAX 120C



C-49505



C-49500

VOLTAX HV 120C



C-49605



C-49600

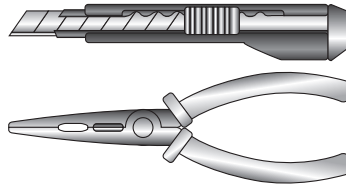
TOOLS NEEDED FOR ASSEMBLY

Hex Drivers

Aluminium handle • Hardened tool tip



C-16130	Factory Pro Tool - Hex Driver 1.5 mm
C-16131	Factory Pro Tool - Hex Driver 2.0 mm
C-16132	Factory Pro Tool - Hex Driver 2.5 mm
C-16133	Factory Pro Tool - Hex Driver 3.0 mm



Nut Drivers

Aluminium handle • Hardened tool tip



C-16161	Factory Pro Tool - Nut Driver 5.5 mm
C-16162	Factory Pro Tool - Nut Driver 7.0 mm

100 Lock-It Screwlock - Soft



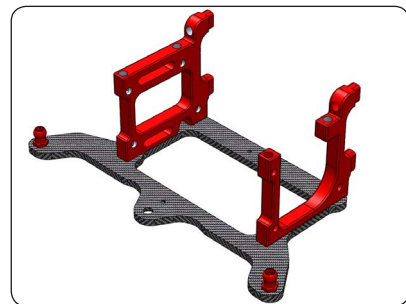
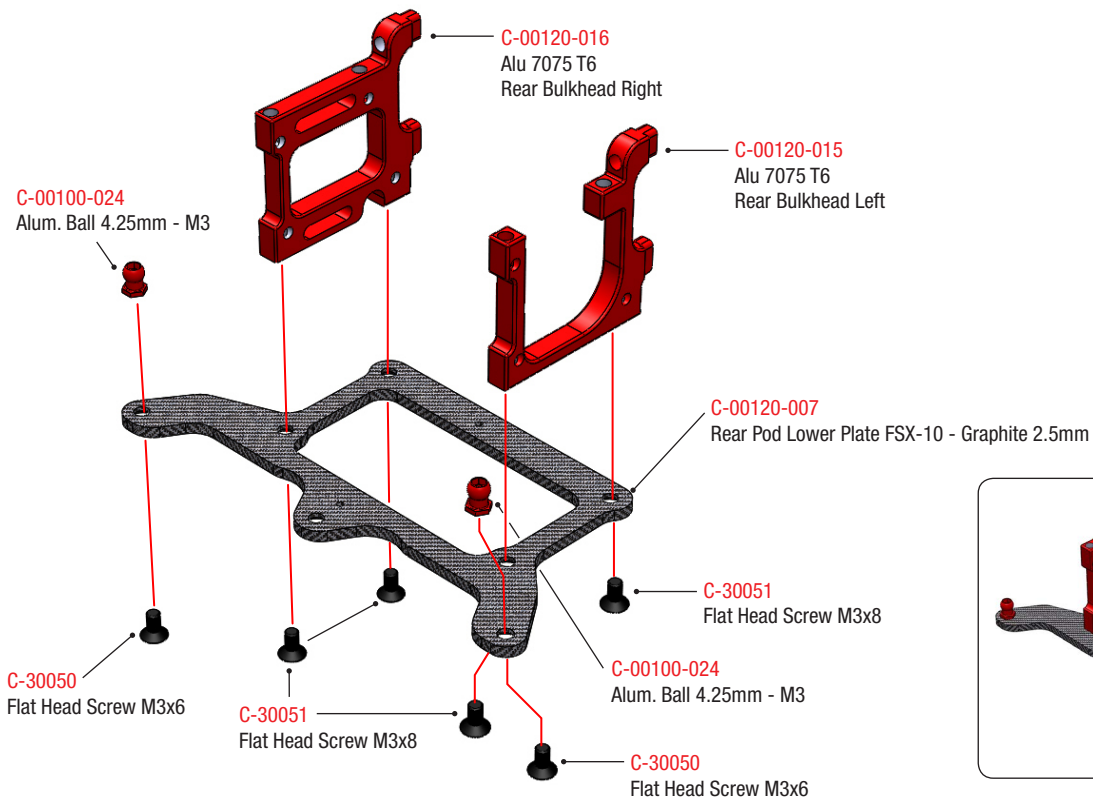
C-13094

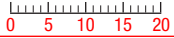
105 Stick-It Thin - CA Glue



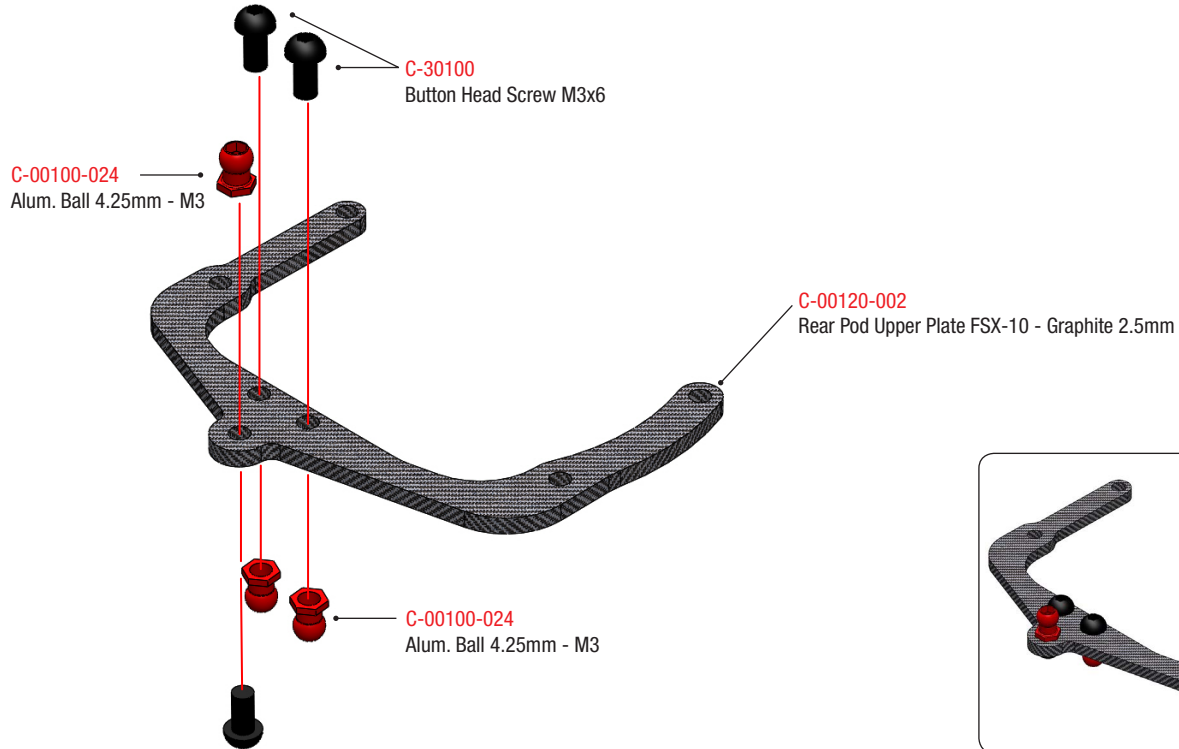
C-13090

1 REAR POWER POD ASSEMBLY

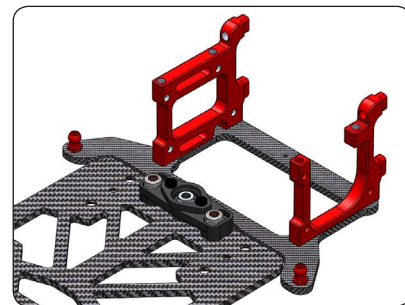
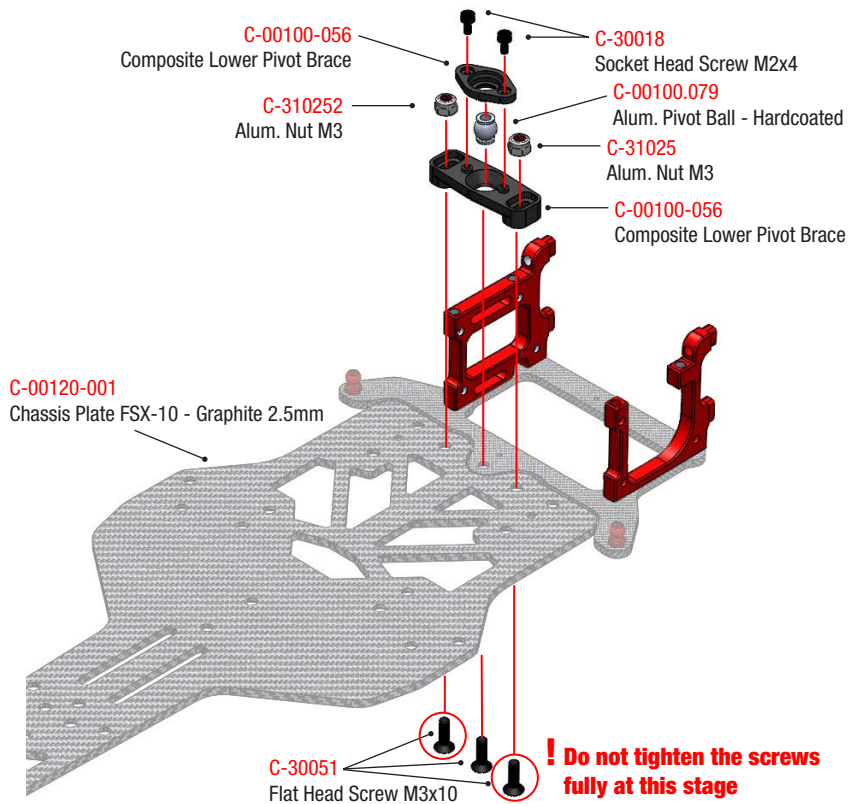




2 REAR POWER POD ASSEMBLY

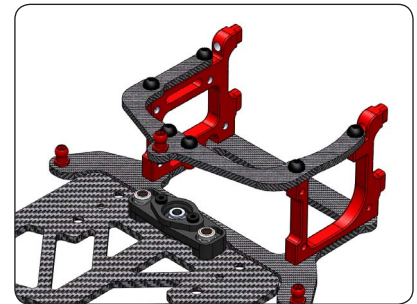
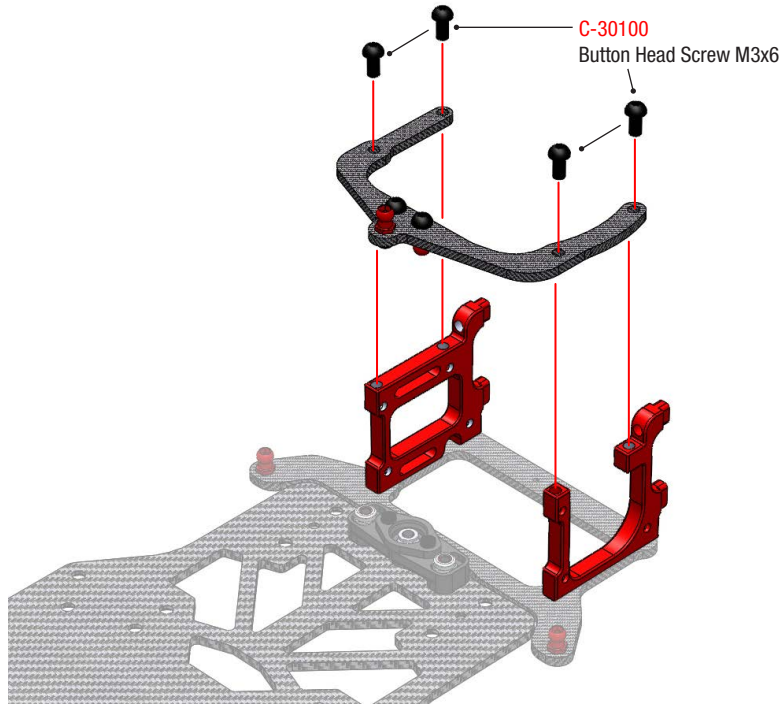


3 REAR POWER POD ASSEMBLY

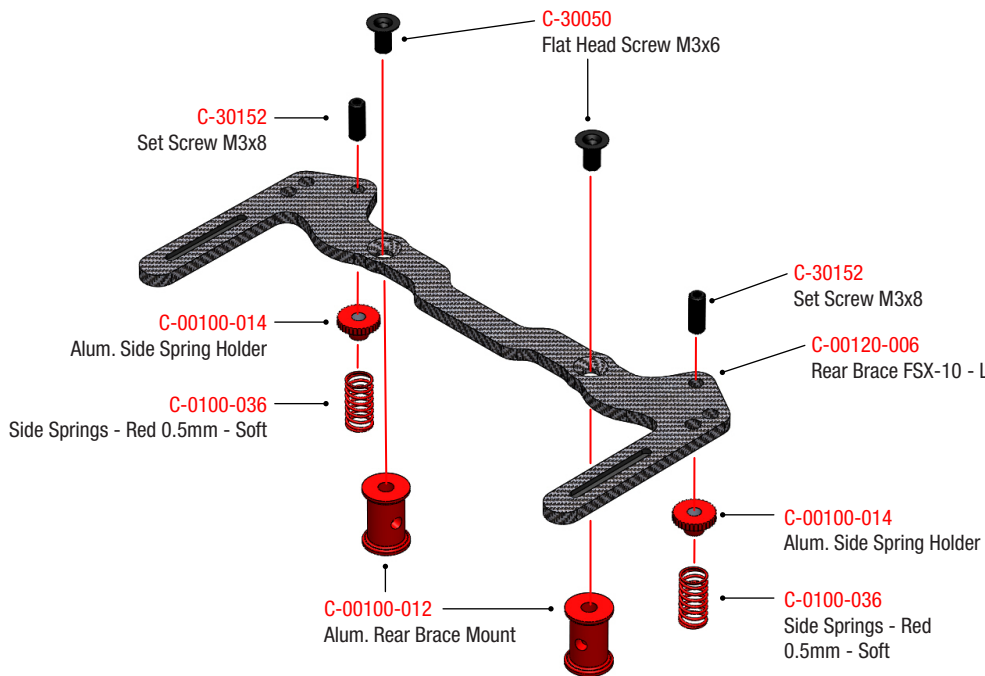


0 5 10 15 20

4 REAR POWER POD ASSEMBLY



5 BATTERY / REAR SUSPENSION BRACE ASSEMBLY

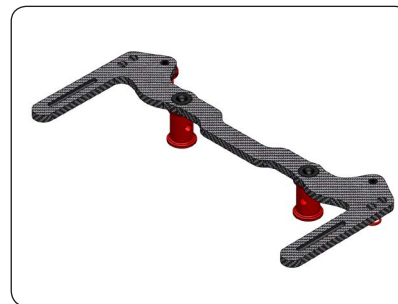


C-00100-036
Side Springs - Red
0.5mm - Soft

C-00100-103 OPTIONAL
Side Springs - Silver
0.6mm - Medium Soft

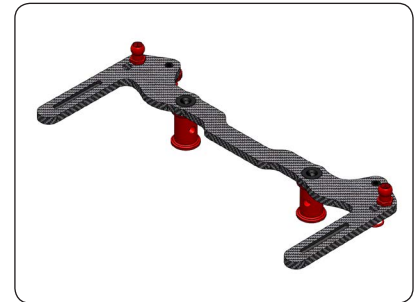
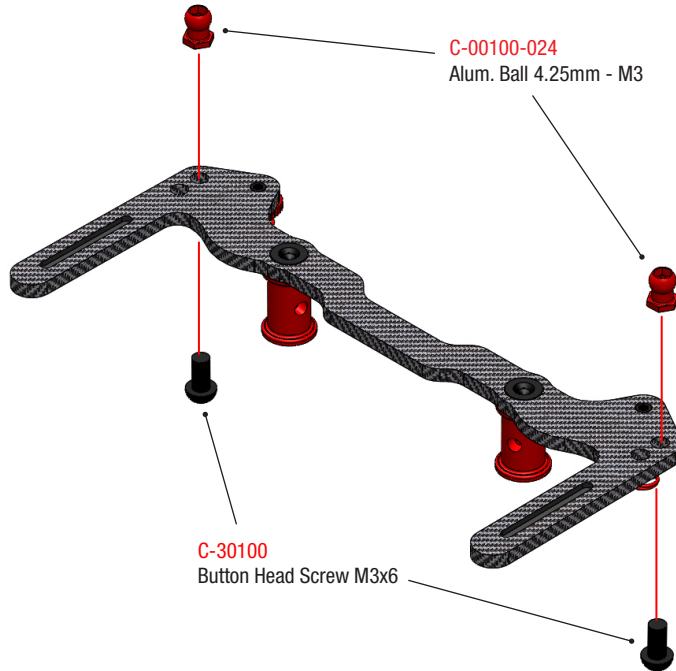
C-00100-104 OPTIONAL
Side Springs - Black
0.7mm - Medium

C-00100-108 OPTIONAL
Side Springs - Blue
0.8mm - Hard

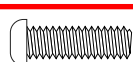
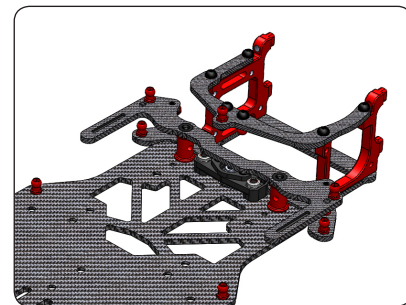
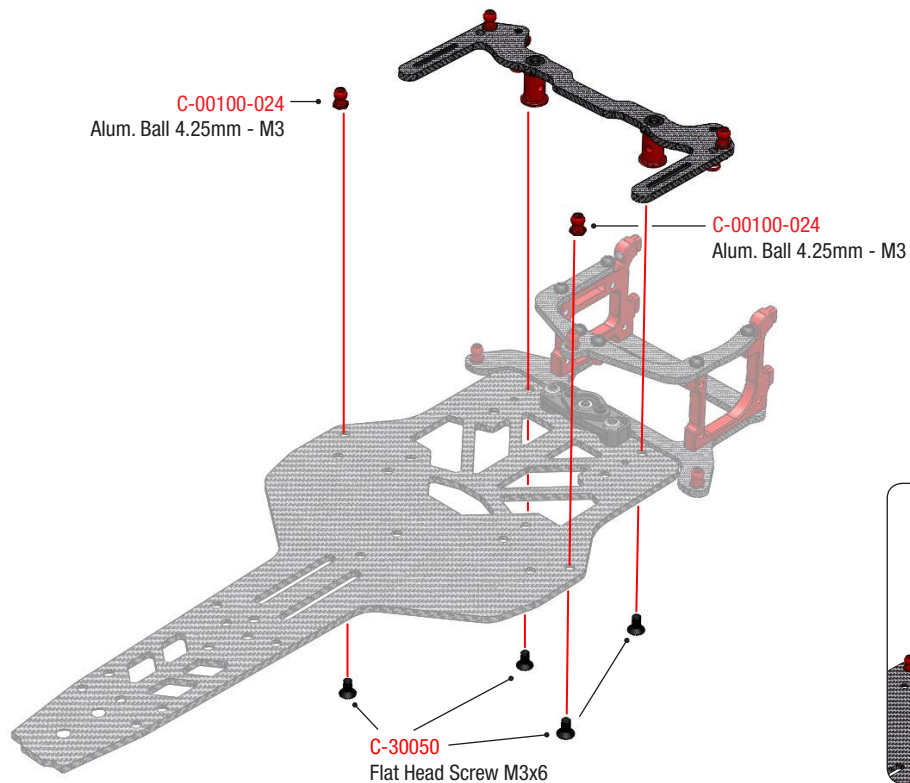


0 5 10 15 20

6 BATTERY / REAR SUSPENSION BRACE ASSEMBLY



7 BATTERY / REAR SUSPENSION BRACE ASSEMBLY

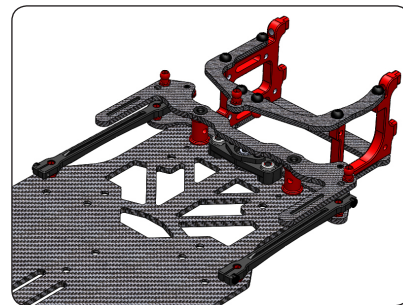
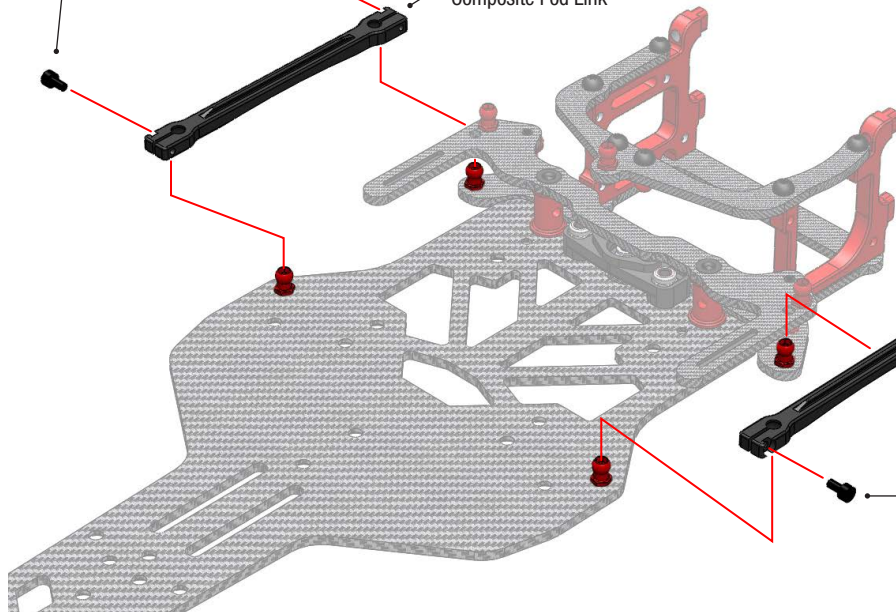




8 SIDE POD LINK ASSEMBLY

C-30018
Socket Head Screw M2x4

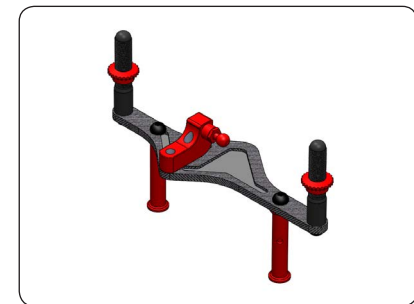
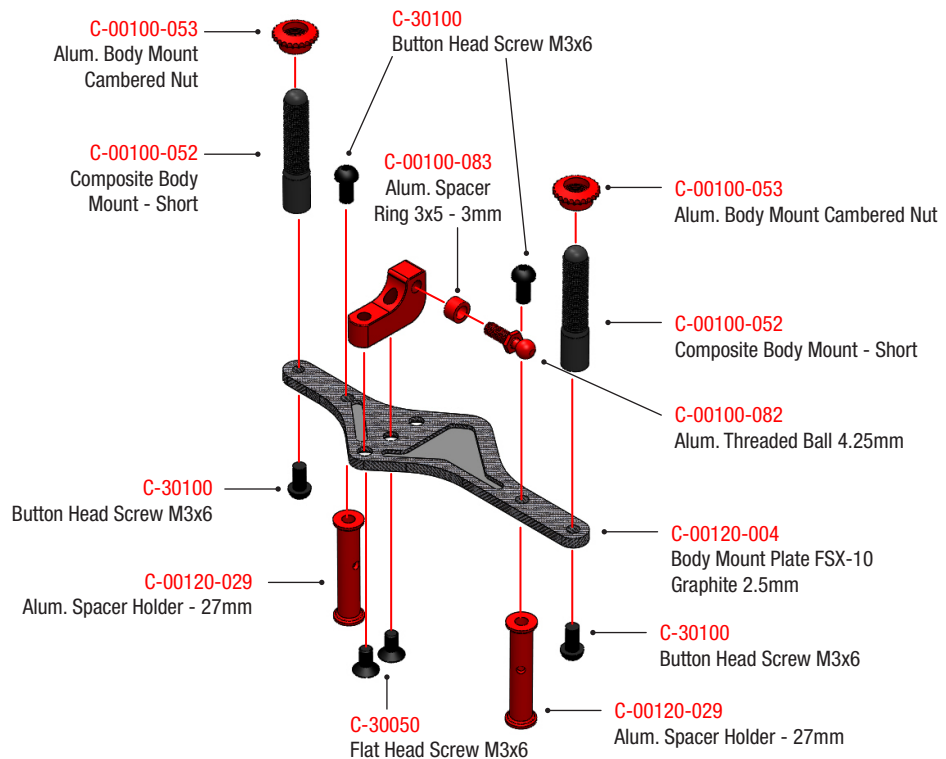
C-00100-041
Composite Pod Link



C-00100-041
Composite Pod Link

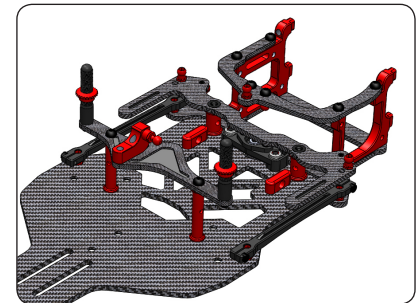
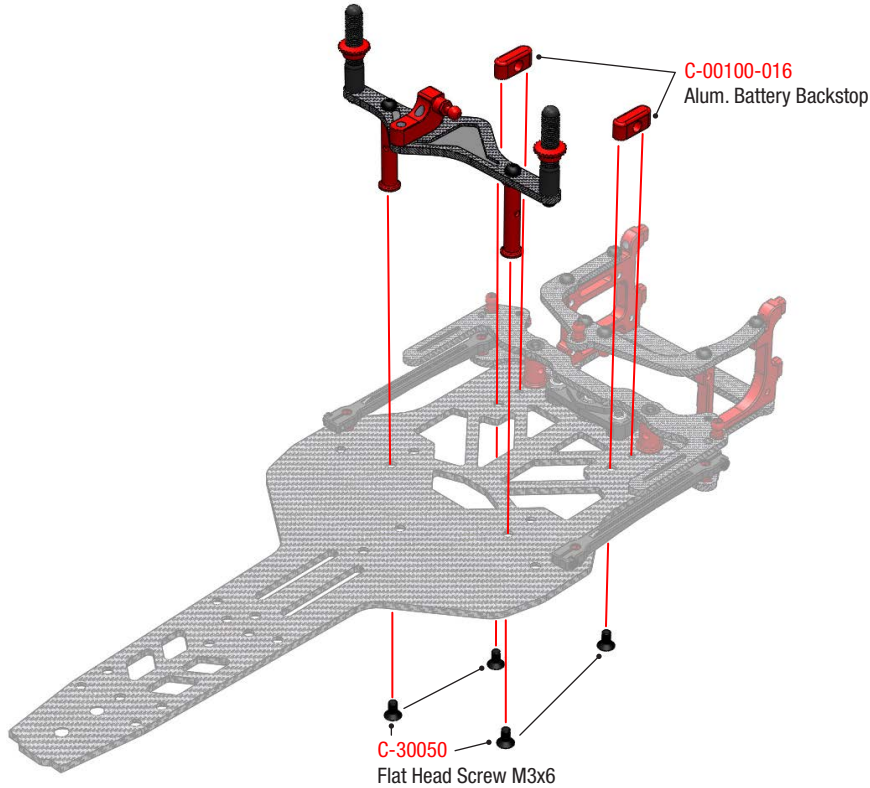
C-30018
Socket Head Screw M2x4

9 BODY POST / SHOCK SUPPORT ASSEMBLY

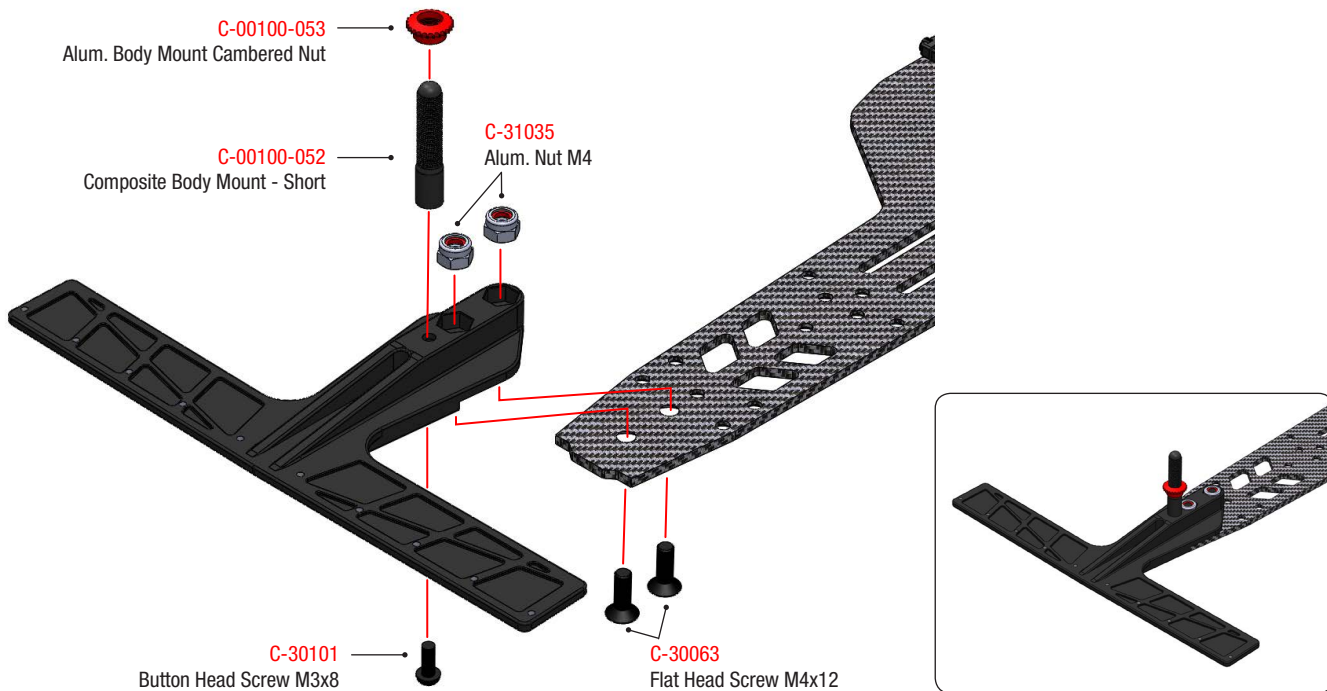


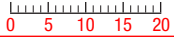
0 5 10 15 20

10 BODY POST / SHOCK SUPPORT ASSEMBLY

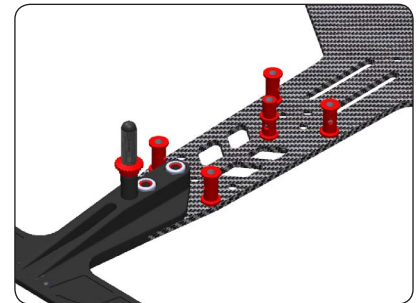
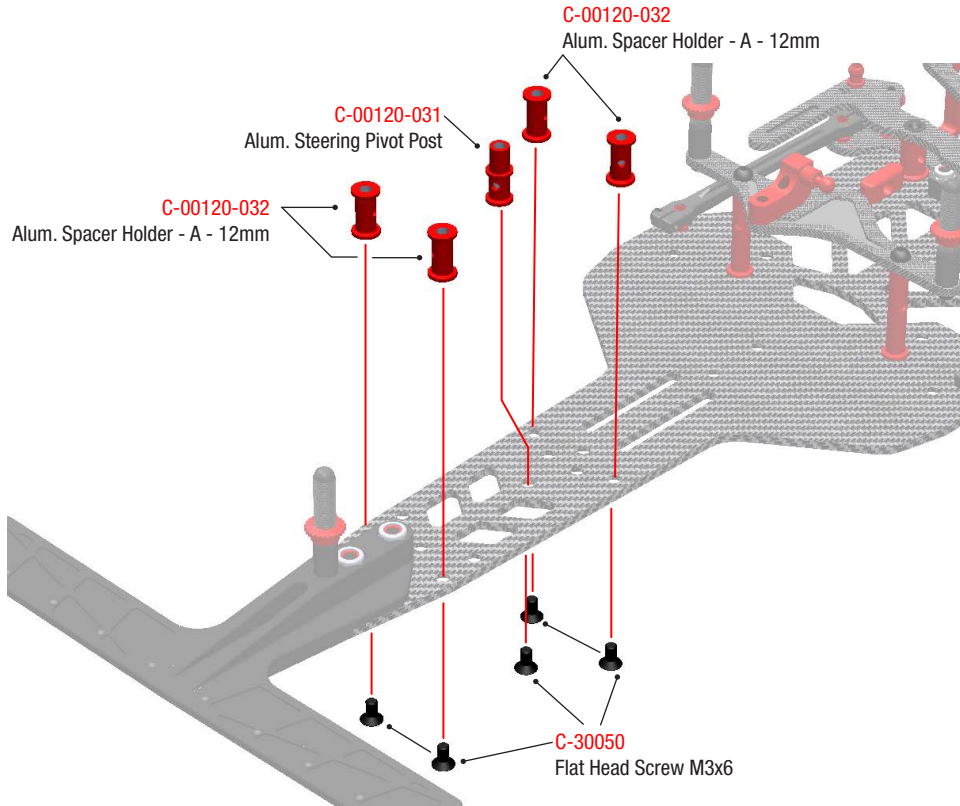


11 FRONT BUMPER ASSEMBLY

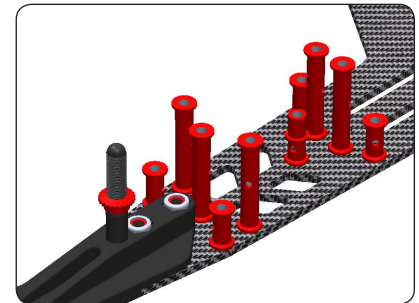
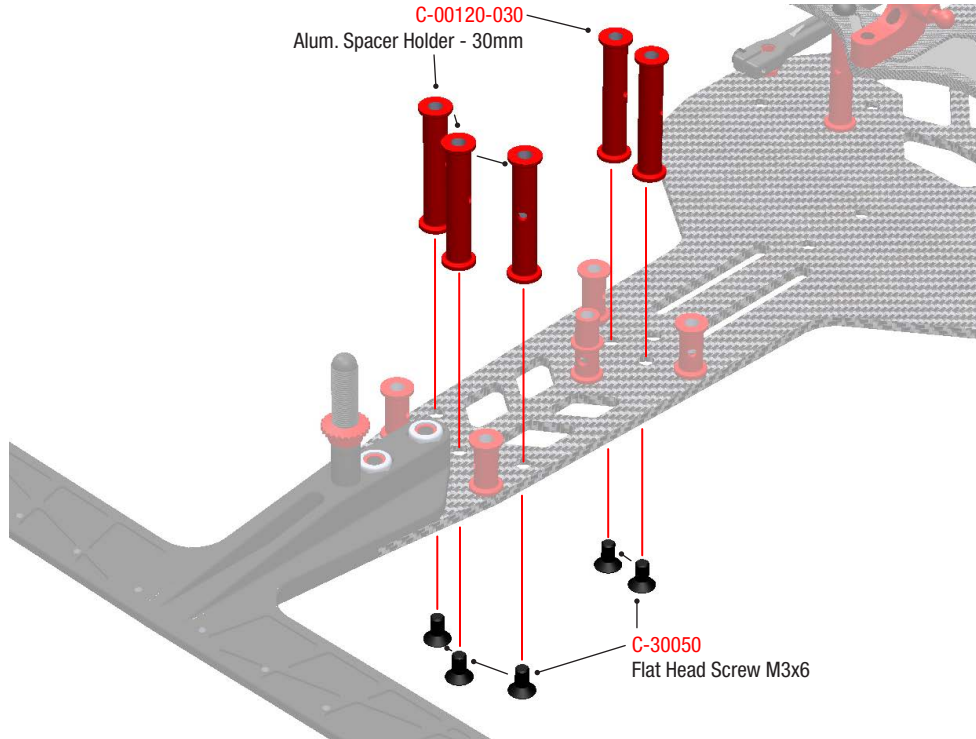




12 FRONT SUSPENSION ASSEMBLY

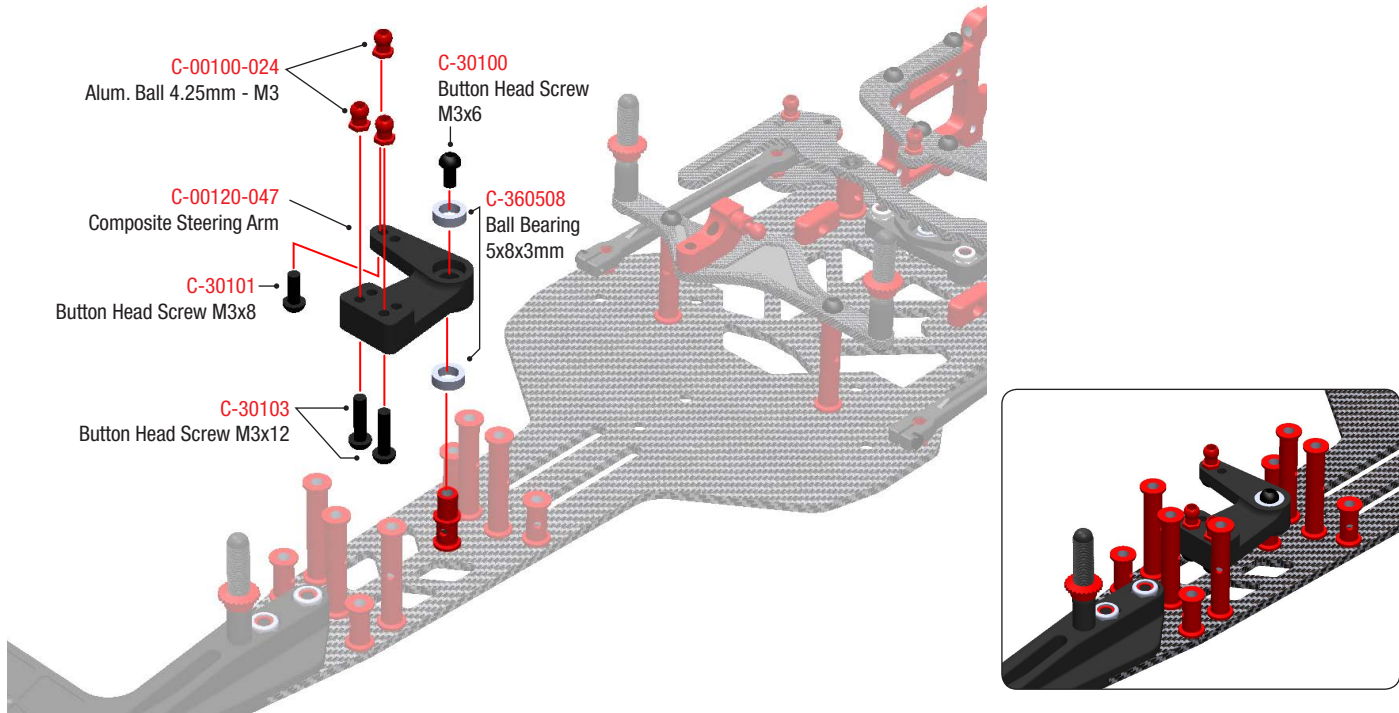


13 FRONT SUSPENSION ASSEMBLY

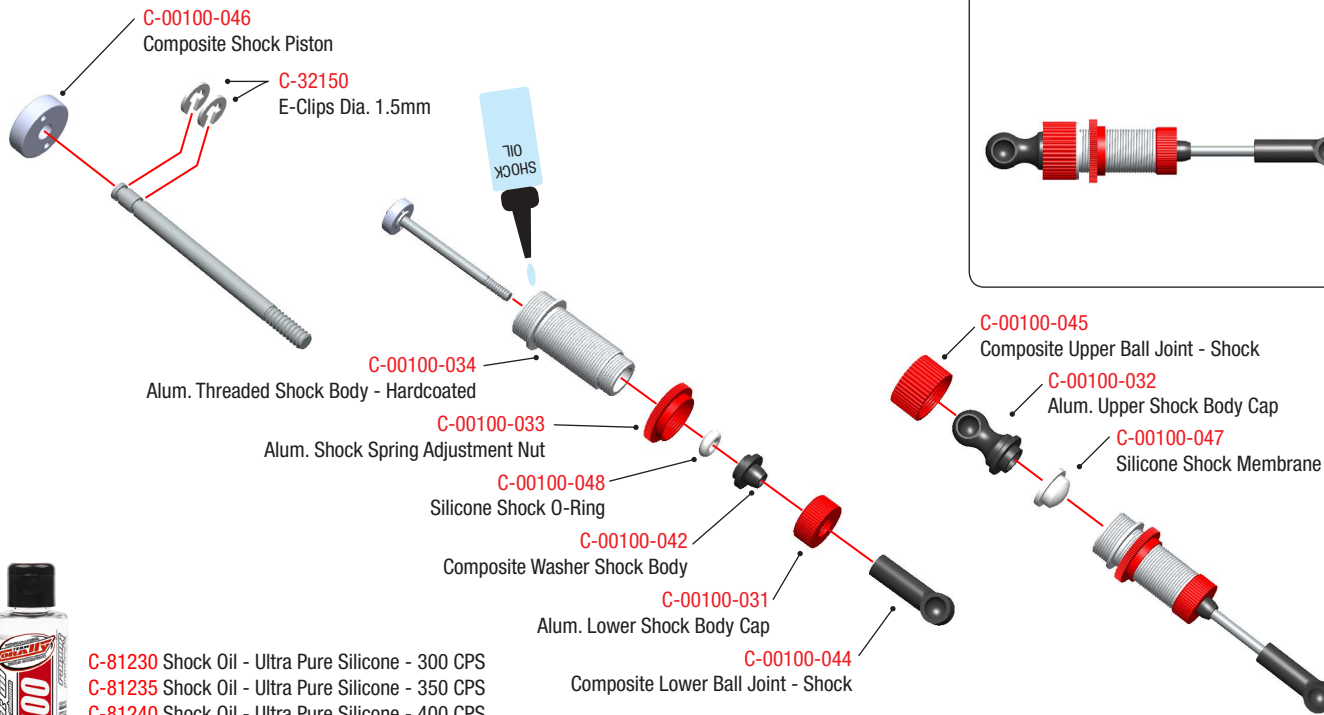
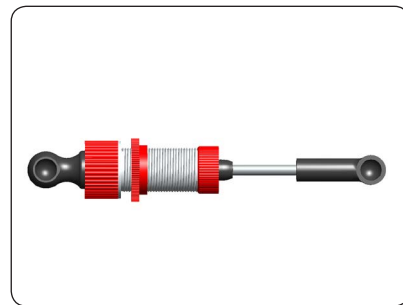




14 FRONT SUSPENSION ASSEMBLY



15 SHOCK ABSORBER ASSEMBLY




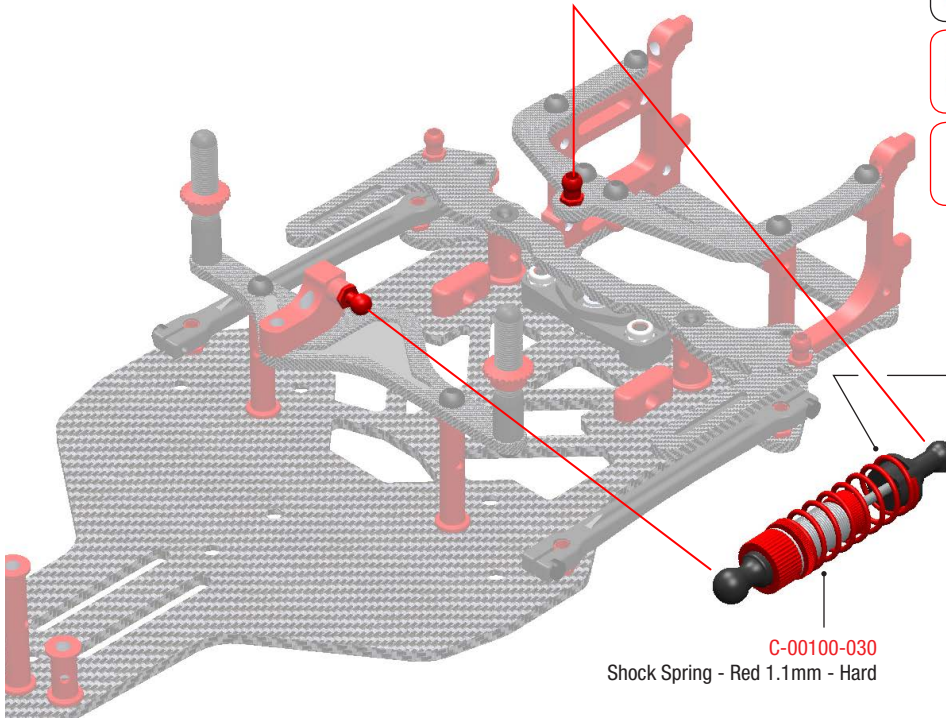
- C-81230** Shock Oil - Ultra Pure Silicone - 300 CPS
- C-81235** Shock Oil - Ultra Pure Silicone - 350 CPS
- C-81240** Shock Oil - Ultra Pure Silicone - 400 CPS
- C-81245** Shock Oil - Ultra Pure Silicone - 450 CPS

* Not Included



0 5 10 15 20


16 SHOCK ABSORBER ASSEMBLY



C-00100-030
Shock Spring - Red 1.1mm - Hard



C-00100-101 **OPTIONAL**
Shock Spring - Blue 1.0mm - Medium

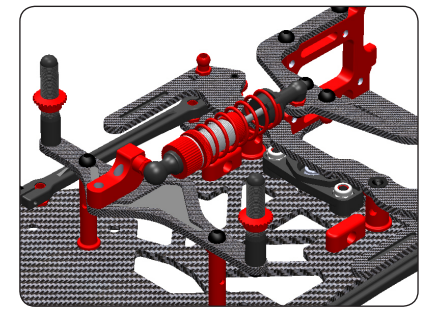


C-00100-102 **OPTIONAL**
Shock Spring - Black 0.9mm - Soft

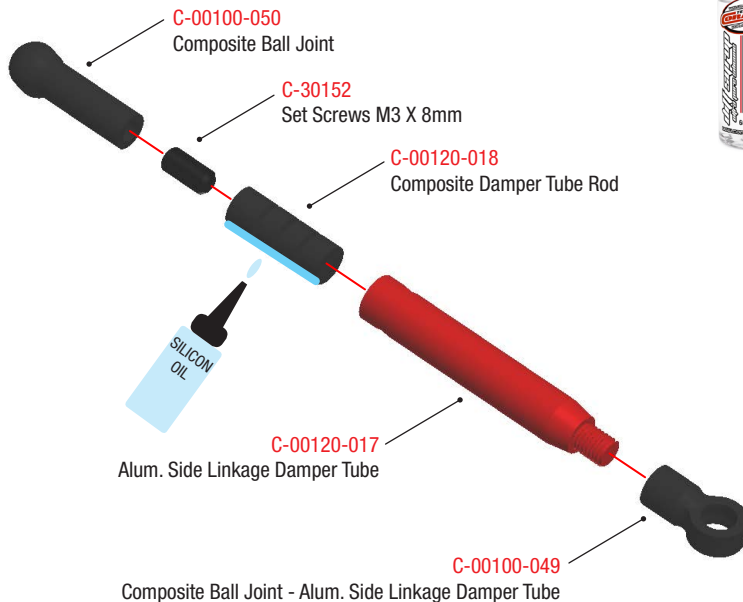


C-00100-043
Composite Shock Spring Holder

C-00100-030
Shock Spring - Red 1.1mm - Hard



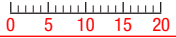
17 SIDE LINK DAMPER ASSEMBLY



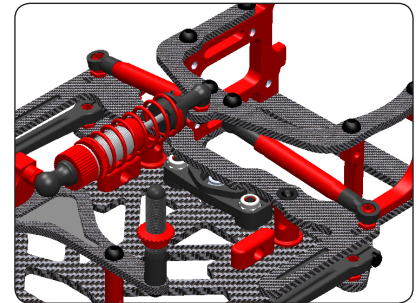
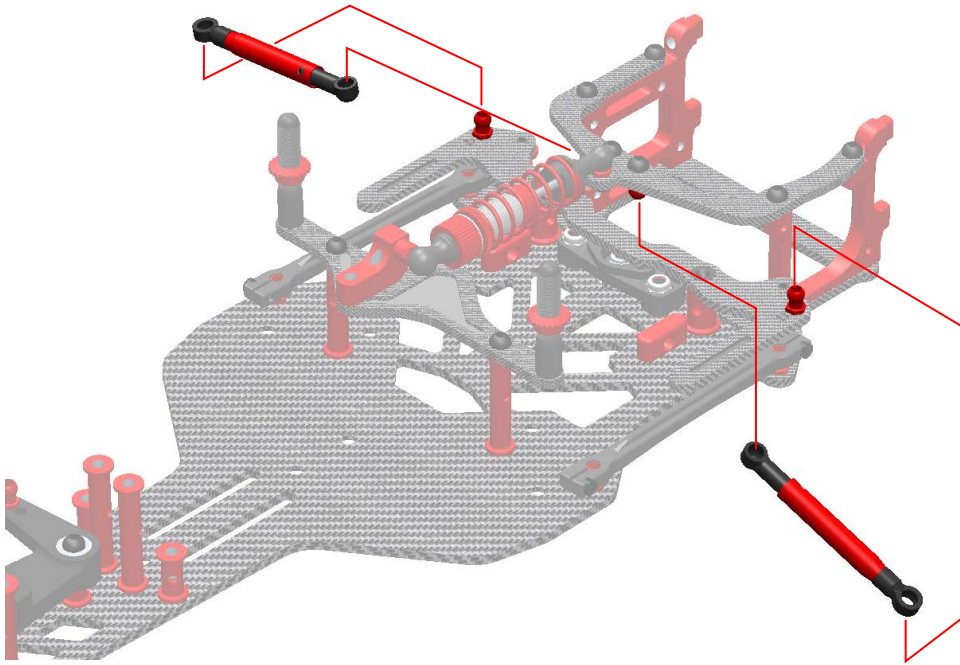
- C-81515 Shock Syrup - Ultra Pure Silicone - 15.000 CPS
- C-81530 Shock Syrup - Ultra Pure Silicone - 30.000 CPS
- C-81550 Shock Syrup - Ultra Pure Silicone - 50.000 CPS
- C-81575 Shock Syrup - Ultra Pure Silicone - 75.000 CPS

* Not Included

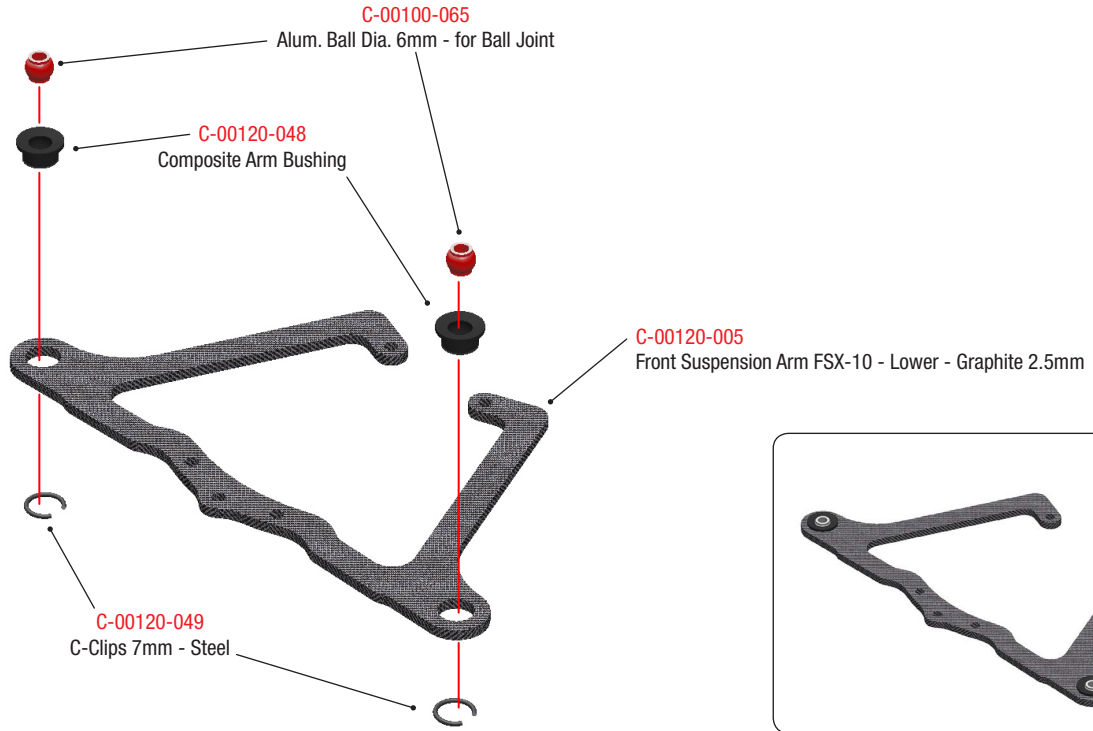




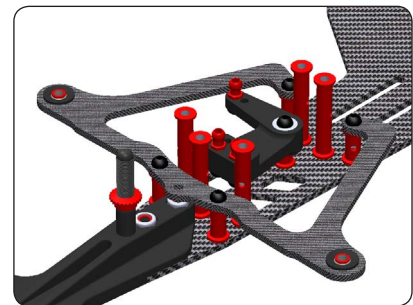
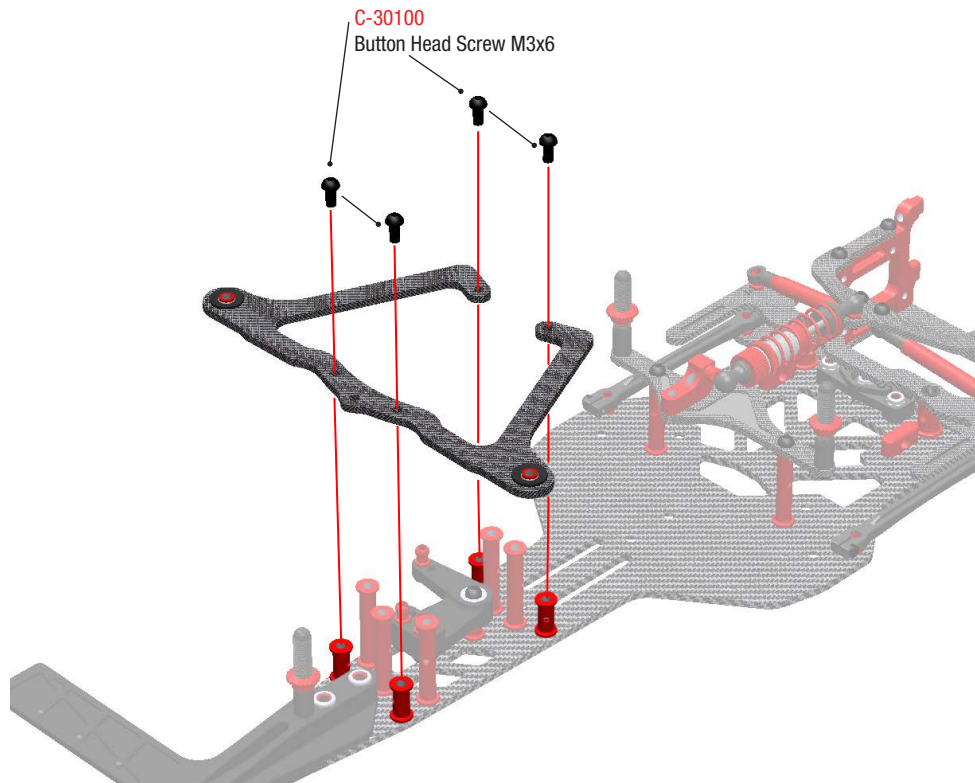
18 SIDE LINK DAMPER ASSEMBLY



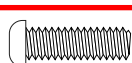
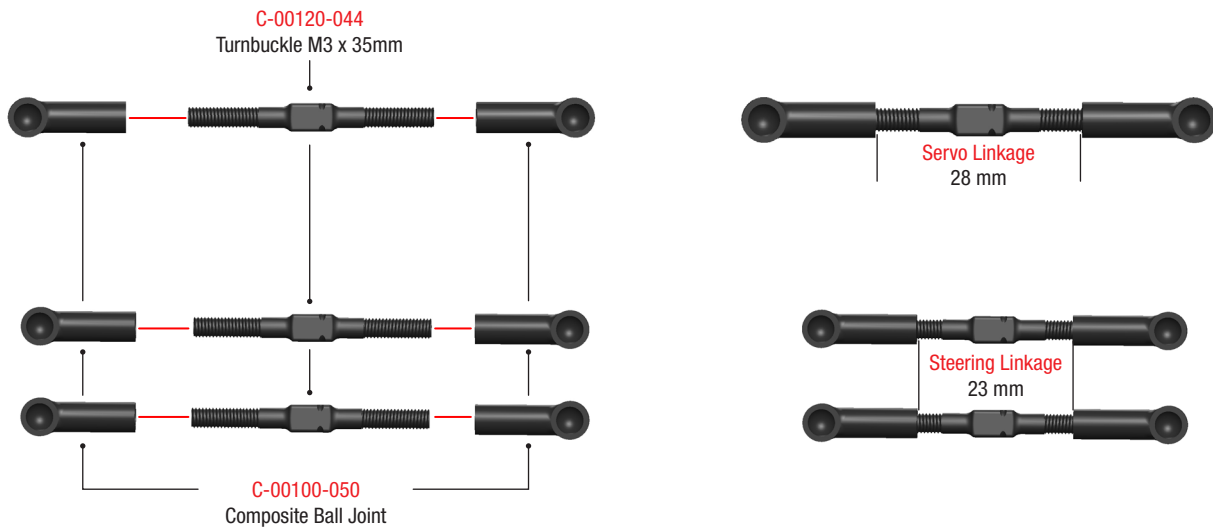
19 FRONT SUSPENSION ASSEMBLY



20 FRONT SUSPENSION ASSEMBLY

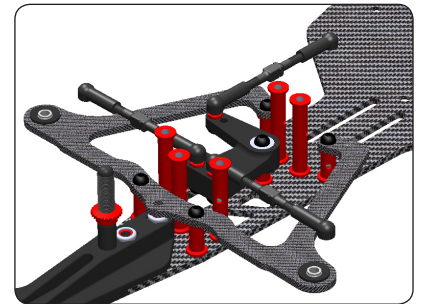
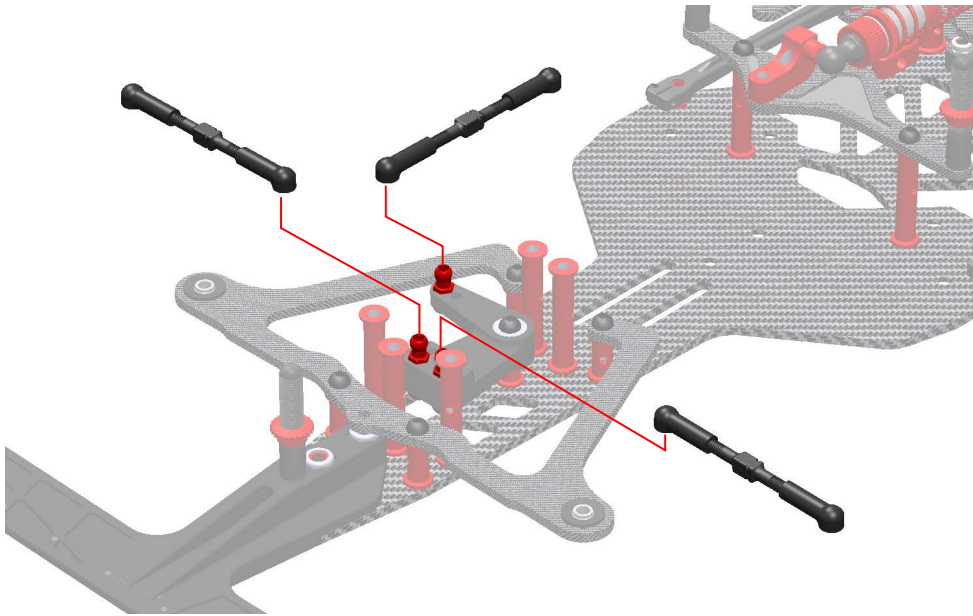


21 STEERING LINKAGE ASSEMBLY

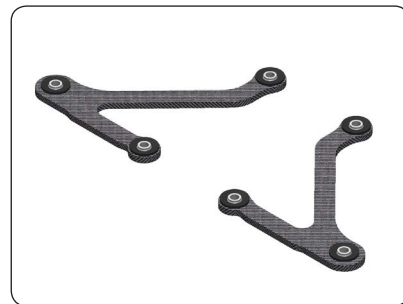
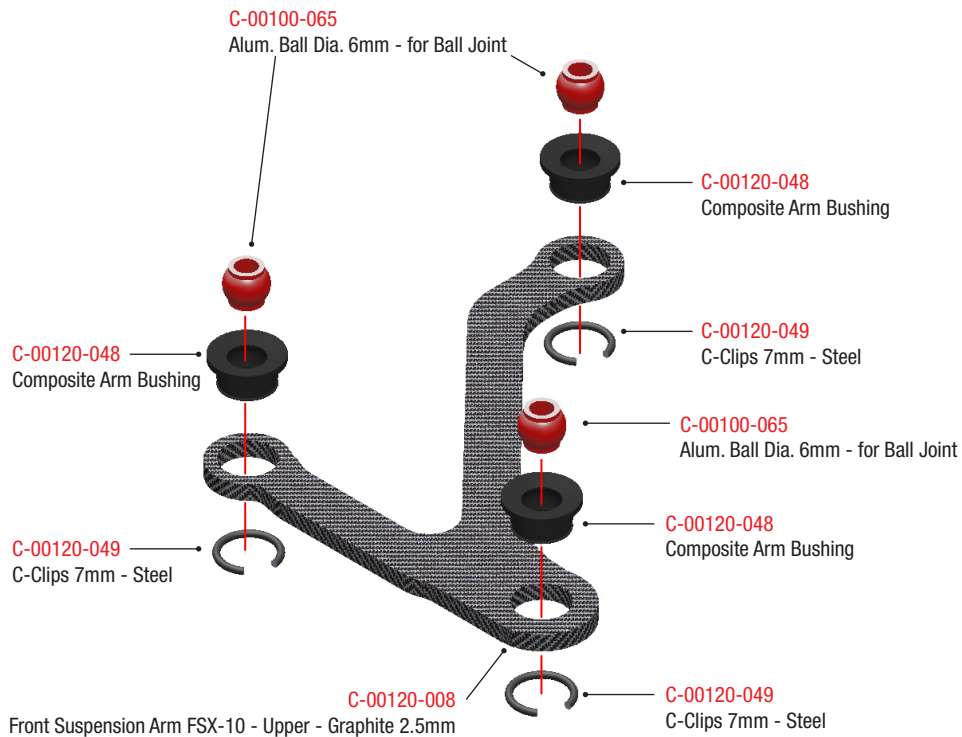


0 5 10 15 20

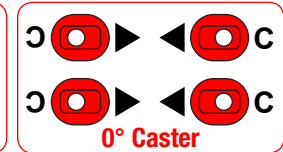
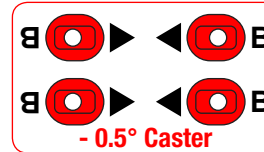
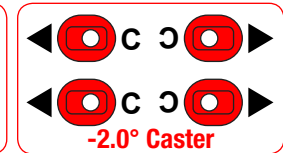
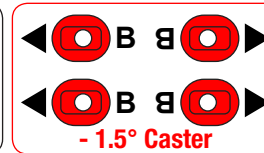
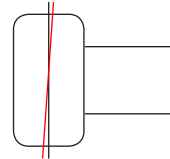
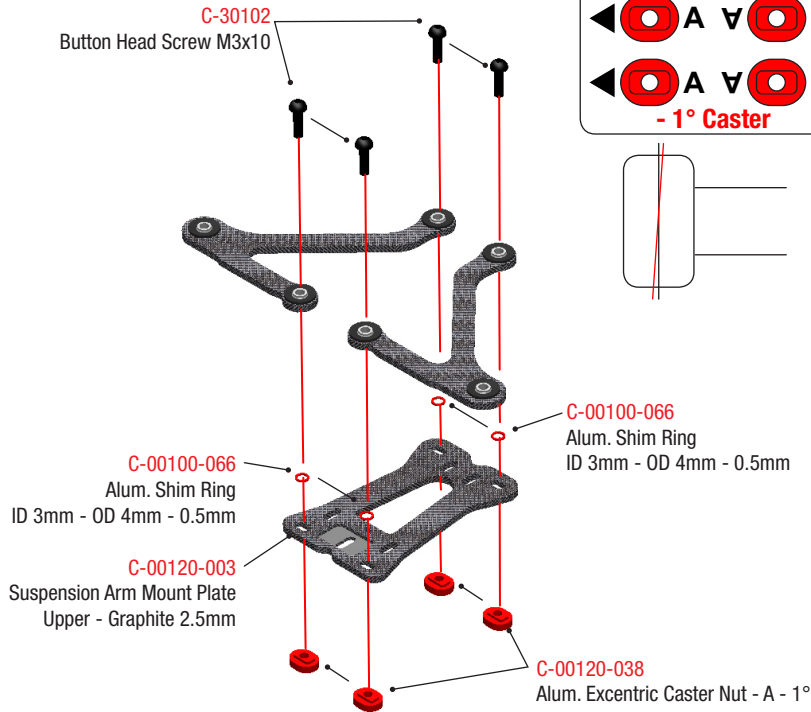
22 STEERING LINKAGE ASSEMBLY



23 FRONT SUSPENSION ASSEMBLY



24 FRONT SUSPENSION ASSEMBLY

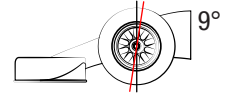
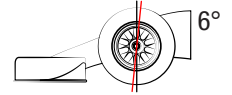
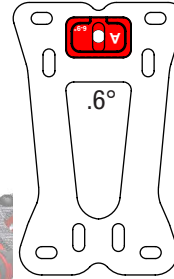
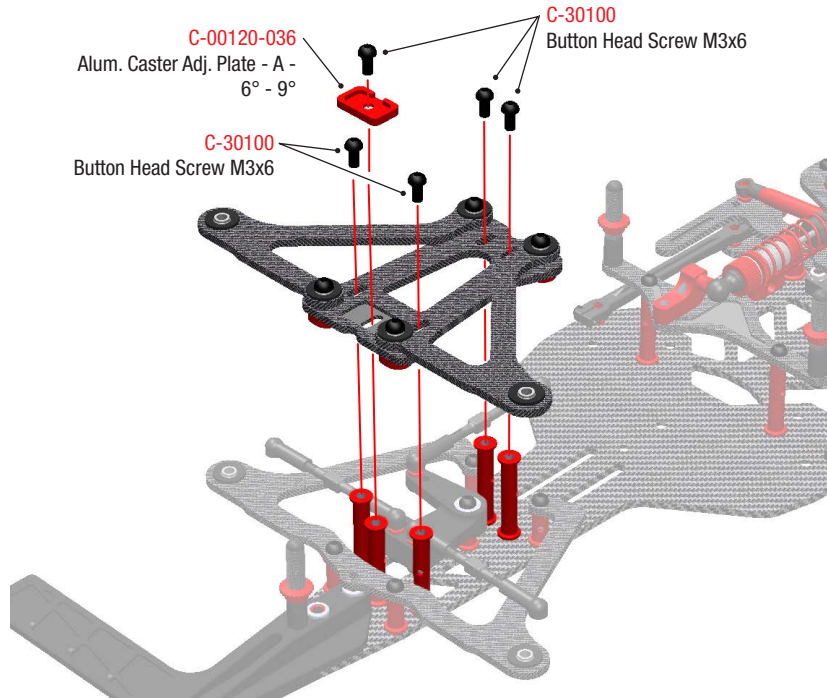


C-00120-039 OPTIONAL
Alum. Excentric Caster Nut B
0.5° - 1.5° - 2 pcs

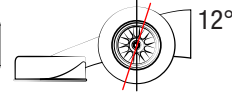
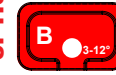
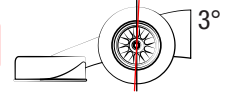
C-00120-040 OPTIONAL
Alum. Excentric Caster Nut C
0° - 2.0° - 2 pcs



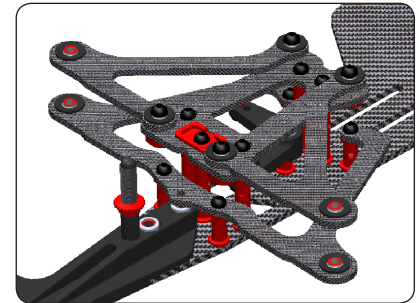
25 FRONT SUSPENSION ASSEMBLY



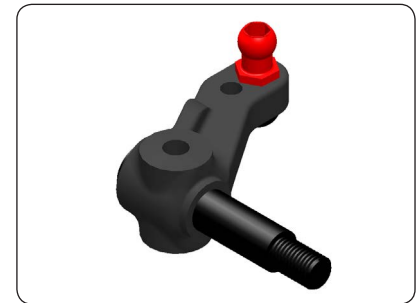
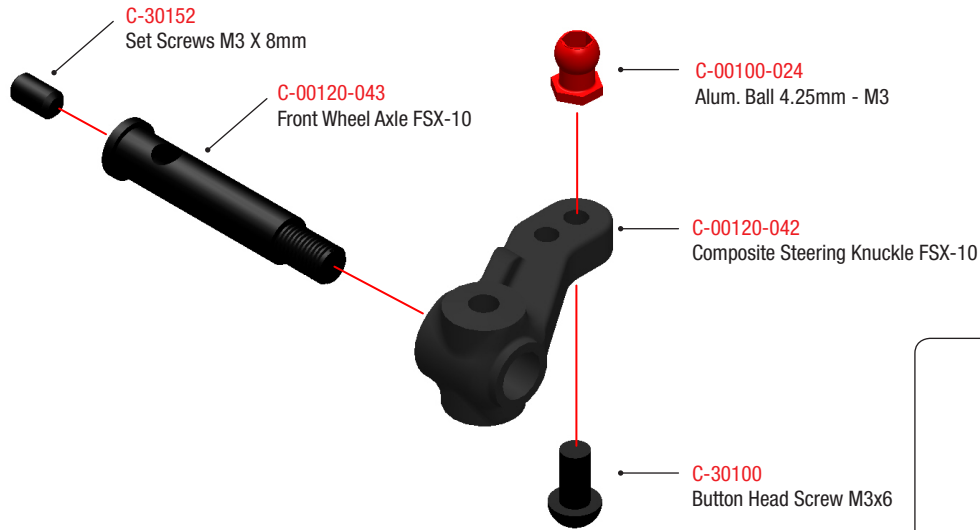
OPTIONAL



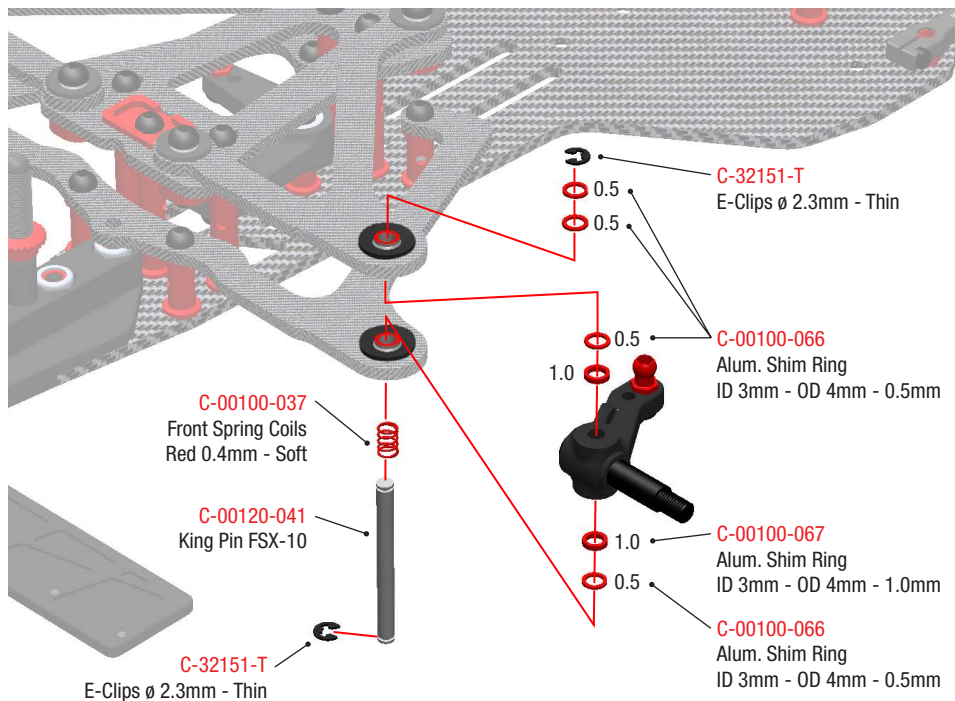
C-00120-037
Alum. Caster Adj. Plate - B - 3°-12°



26 FRONT SUSPENSION ASSEMBLY



27 FRONT SUSPENSION ASSEMBLY



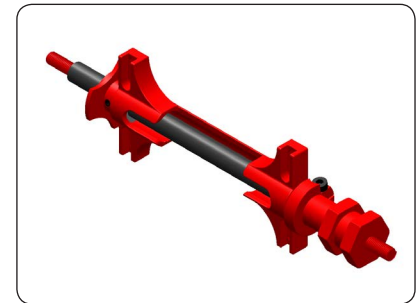
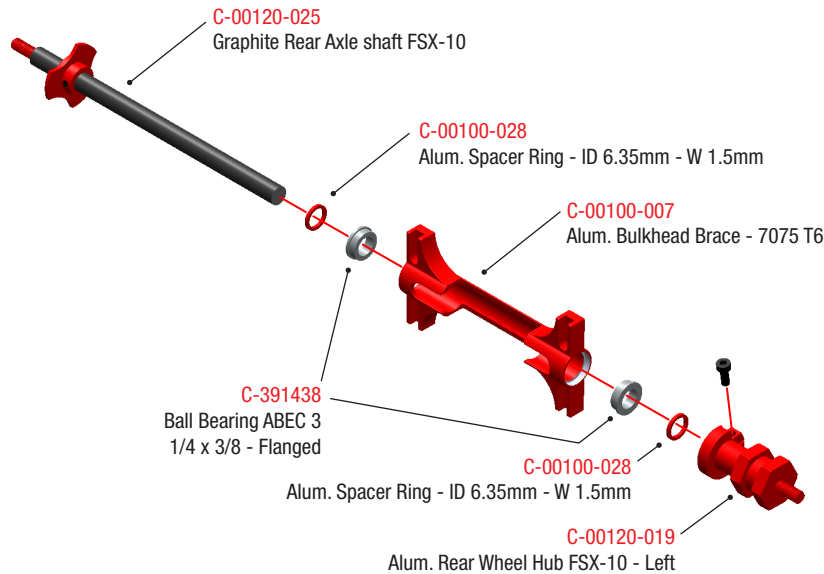
C-00100-037
Front Spring Coils
Red 0.4mm - Soft

C-00100-105 OPTIONAL
Front Spring Coils
Blue 0.6mm - Hard

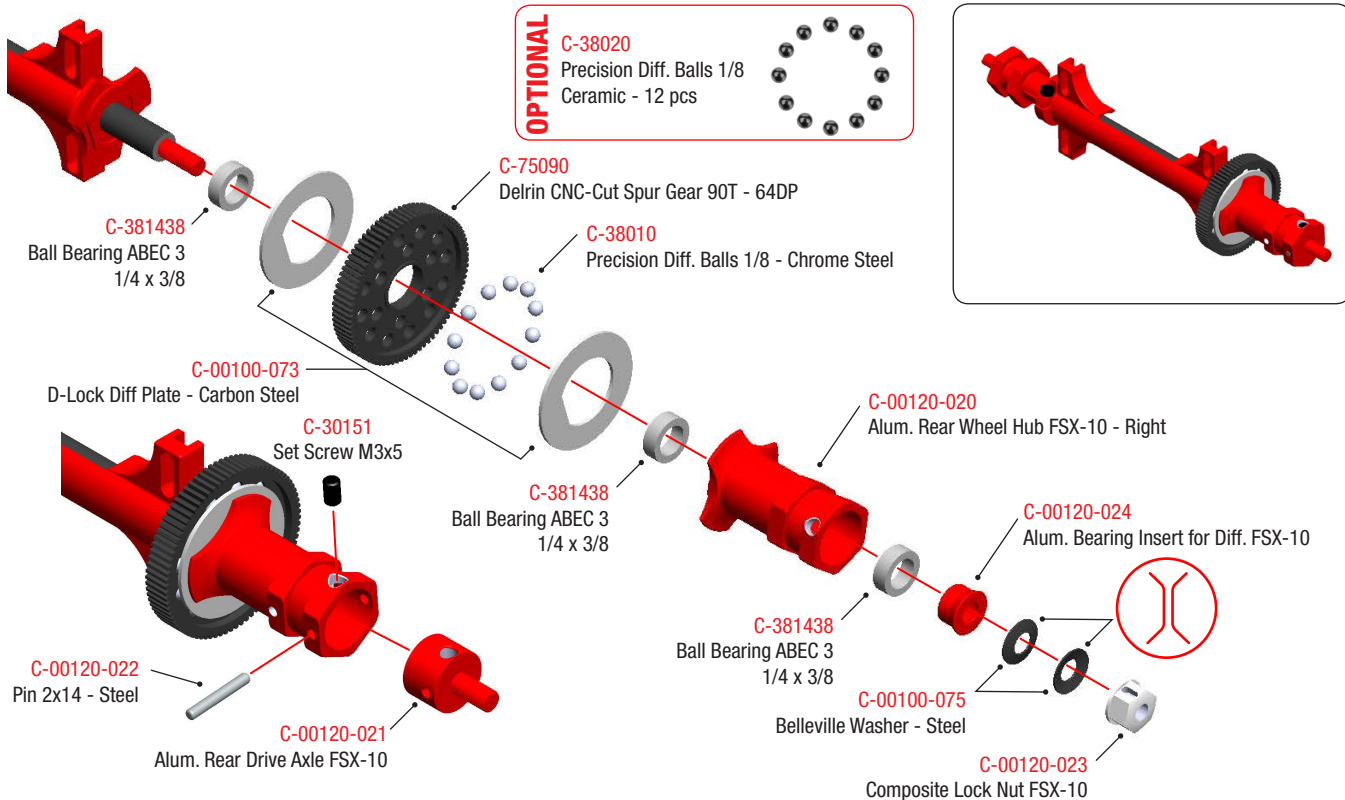
C-00100-106 OPTIONAL
Front Spring Coils
Black 0.5mm - Medium



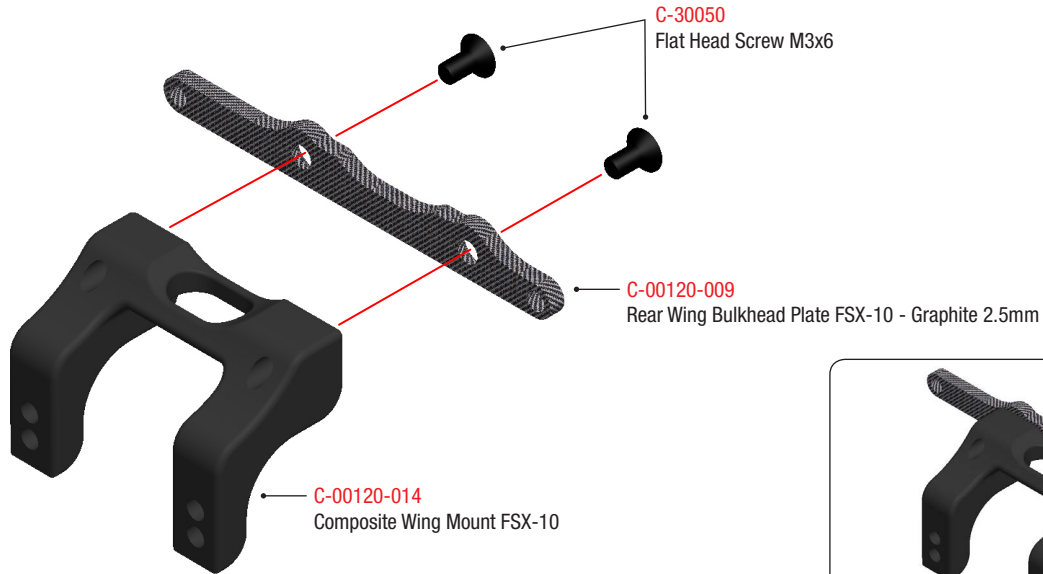
28 DRIVE AXLE / BALL DIFFERENTIAL ASSEMBLY



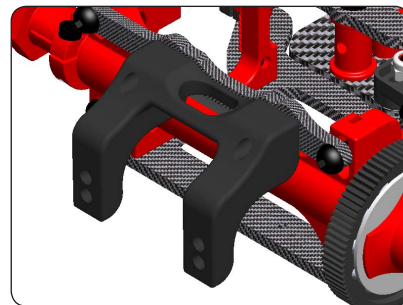
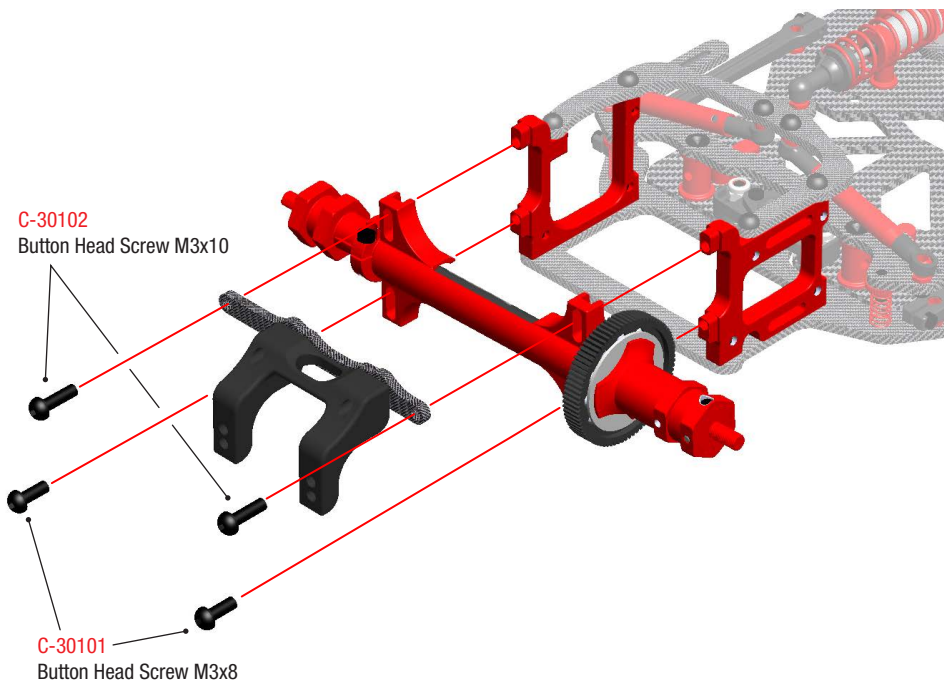
29 DRIVE AXLE / BALL DIFFERENTIAL ASSEMBLY



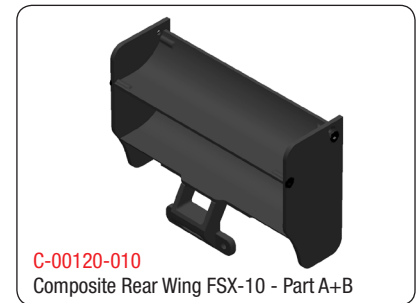
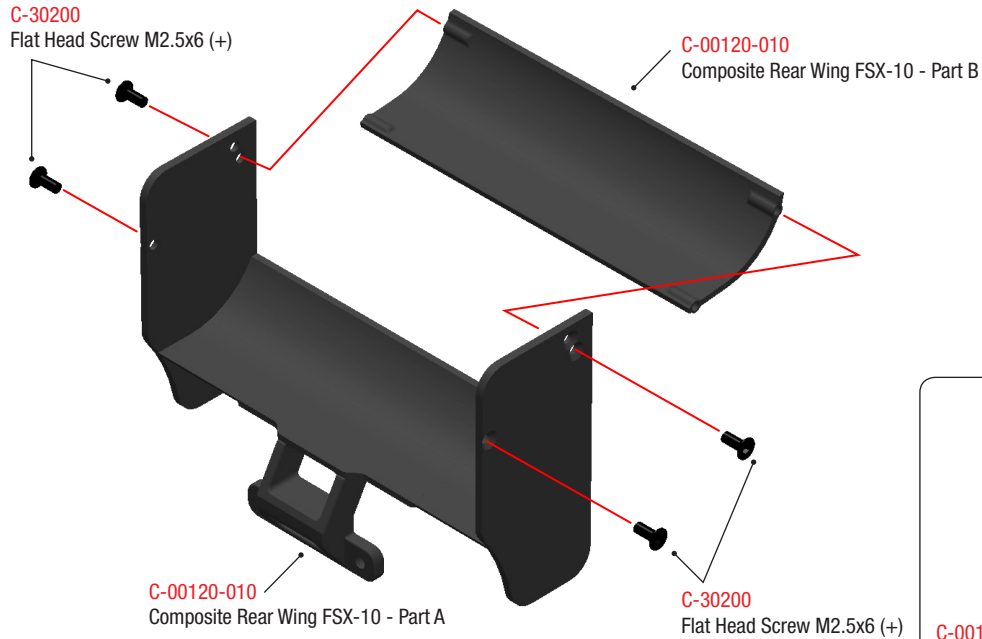
30 WING MOUNT ASSEMBLY



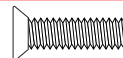
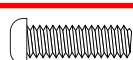
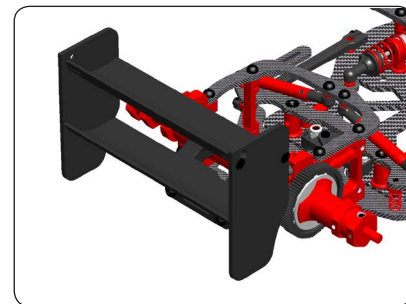
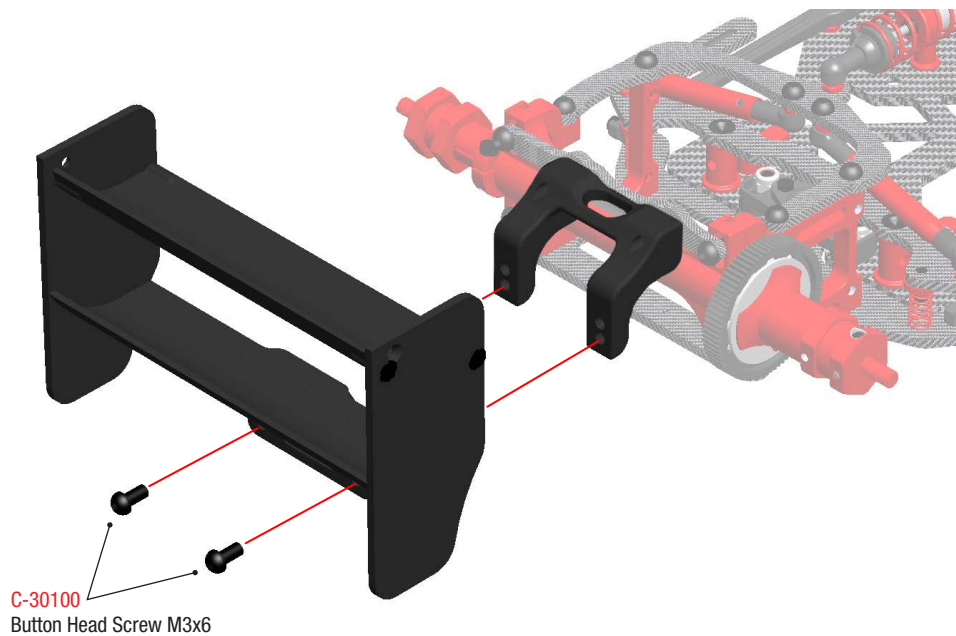
31 DRIVE TRAIN / WING MOUNT ASSEMBLY



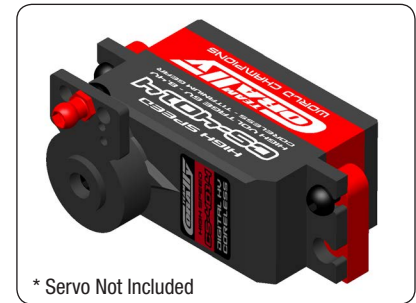
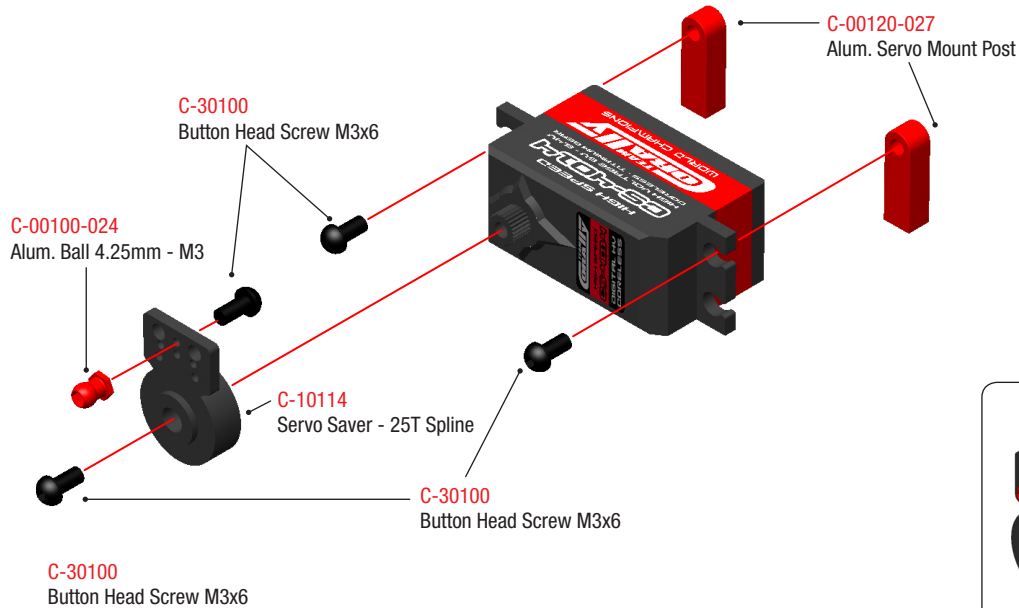
32 REAR WING ASSEMBLY



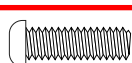
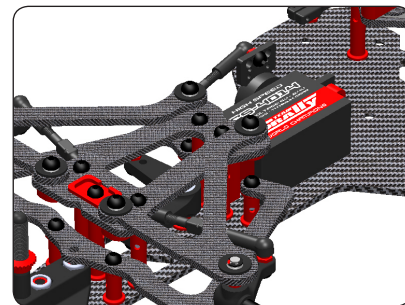
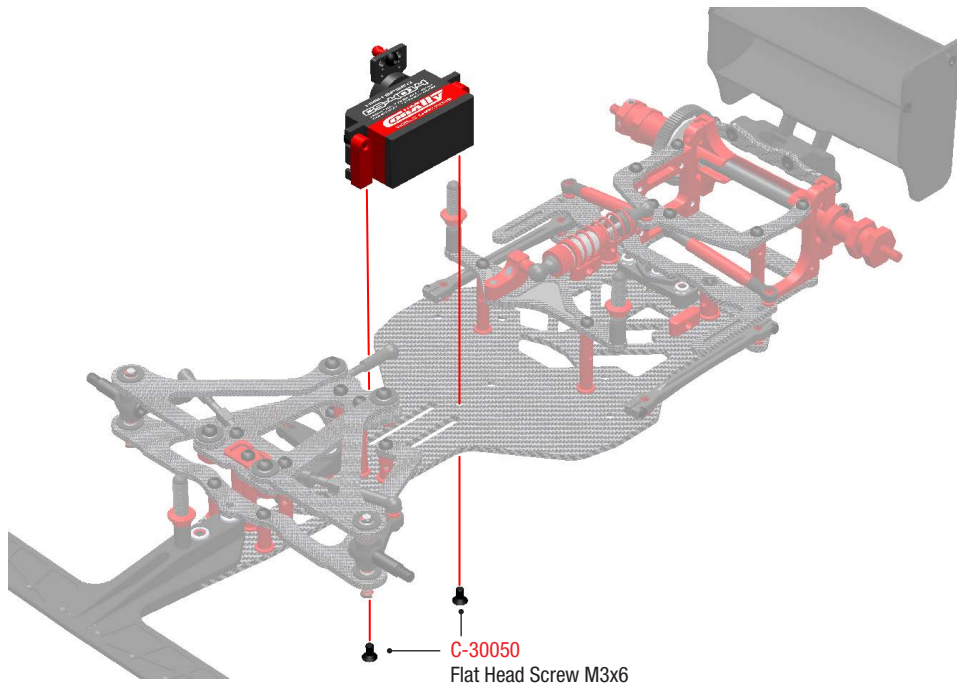
33 REAR WING ASSEMBLY



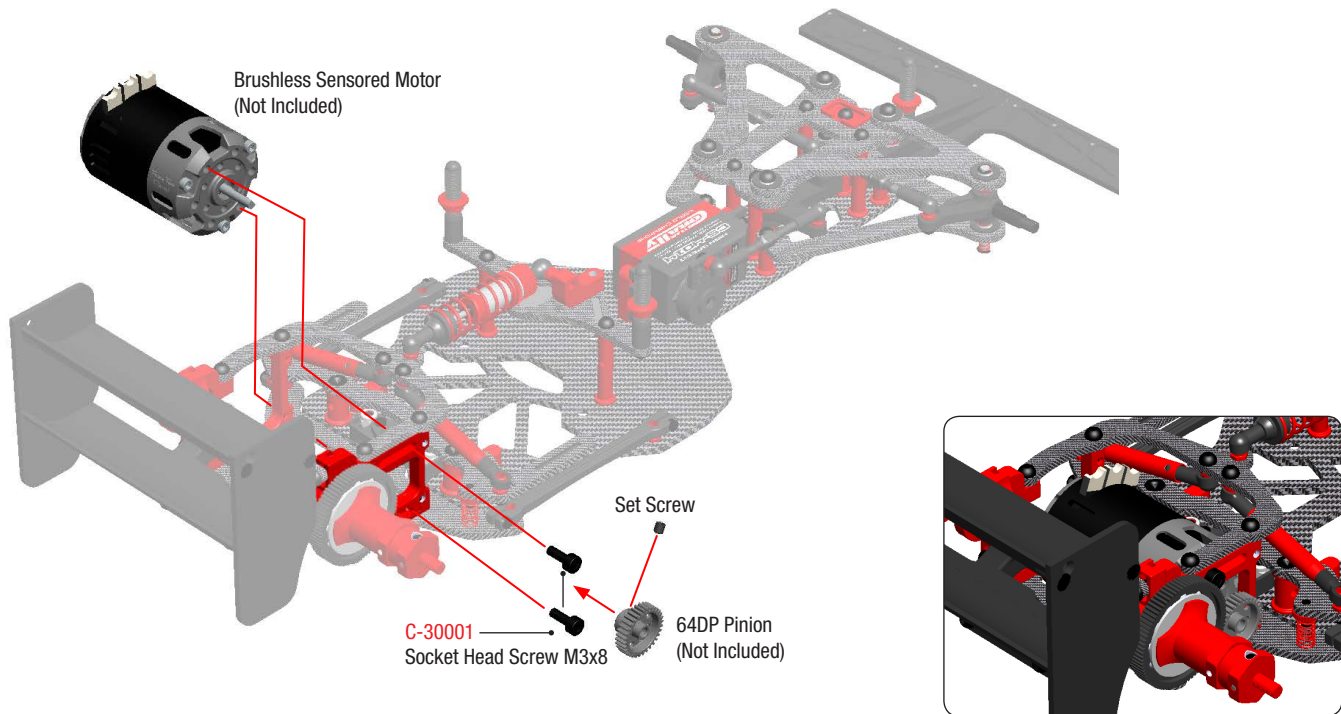
34 STEERING SERVO ASSEMBLY



35 STEERING SERVO ASSEMBLY



36 MOTOR ASSEMBLY



37 RECEIVER / ESC ASSEMBLY

Fix receiver with double-sided tape

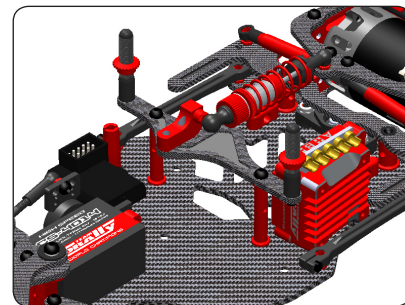
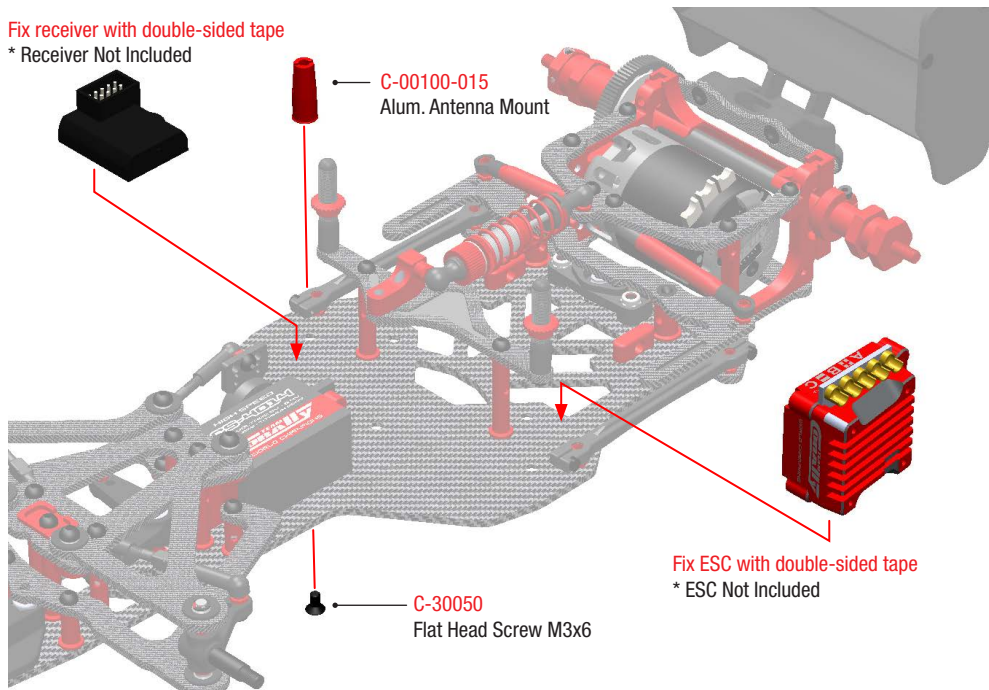
* Receiver Not Included

C-00100-015
Alum. Antenna Mount

C-30050
Flat Head Screw M3x6

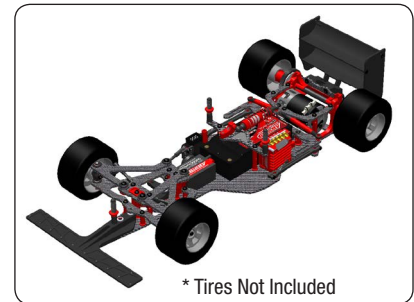
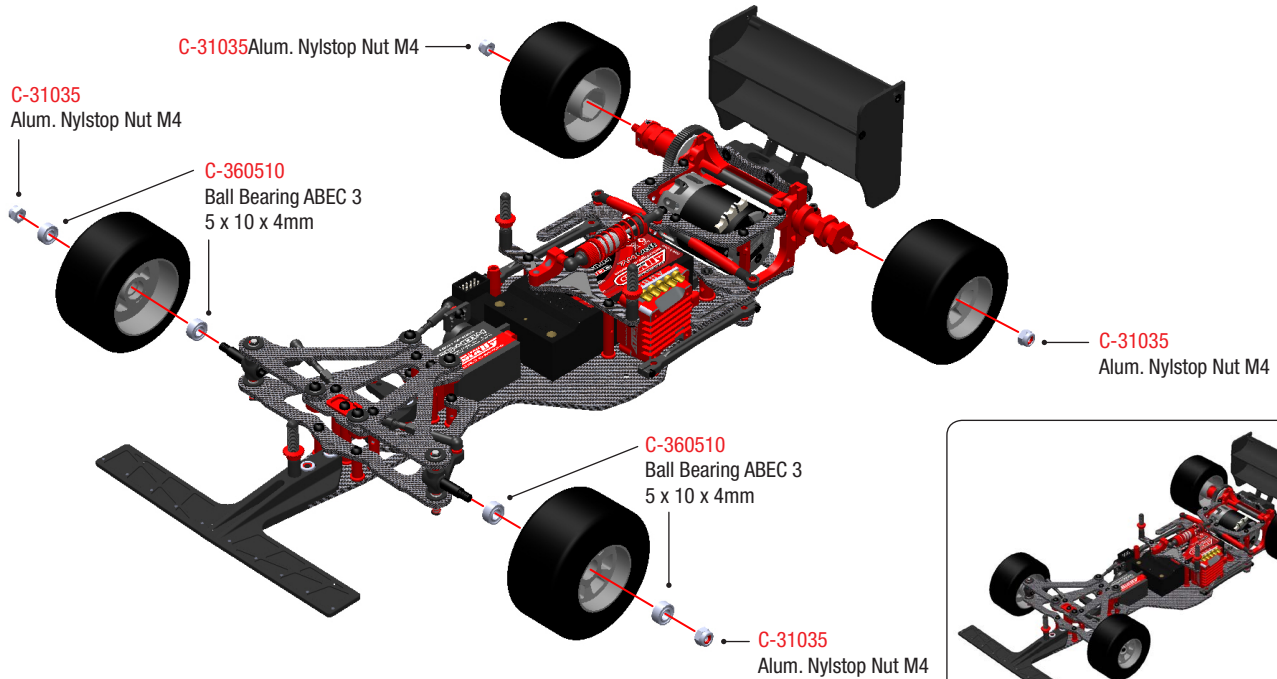
Fix ESC with double-sided tape

* ESC Not Included





38 WHEELS ASSEMBLY



	C-00100-007	Alum. Bulkhead Brace - 7075 T6 - 1 pc
	C-00100-012	Alum. Rear Brace Mount - 2 pcs
	C-00100-014	Alum. Side Spring Holder - 2 pcs
	C-00100-015	Alum. Antenna Mount - 1 pc
	C-00100-016	Alum. Battery Backstop - 1 pc
	C-00100-024	Alum. Steering Ball 4.25mm - M3 - 4 pcs

	C-00100-028	Alum. Spacer Ring - Inner Dia 6.35mm - Width 1.5mm - 2 pcs
	C-00100-030	Shock Spring - Red 1.1mm - Hard - 1 pc
	C-00100-031	Alum. Lower Shock Body Cap - 1 pc
	C-00100-032	Alum. Upper Shock Body Cap - 1 pc
	C-00100-033	Alum. Shock Spring Adjustment Nut - 1 pc
	C-00100-034	Alum. Threaded Shock Body - Hard-coated - 1 pc









	C-00100-035	Shock Shaft - Steel - 2 pcs
	C-00100-036	Side Springs - Red 0.5mm - Soft - 2 pcs
	C-00100-037	Front Spring Coils - Red 0.4mm - Soft - 2 pcs
	C-00100-041	Composite Pod Link - 2 pcs
	C-00100-042	Composite Washer Shock Body - 2 pcs
	C-00100-044	Composite Lower Ball Joint - Shock - 2 pcs







	C-00100-045	Composite Upper Ball Joint - Shock - 2 pcs
	C-00100-046	Composite Shock Piston - 2 pcs
	C-00100-047	Silicone Shock Membrane - 2 pcs
	C-00100-048	Silicone Shock O-Ring - 2 pcs
	C-00100-049	Composite Ball Joint - Alum. Side Linkage Damper Tube - 4 pcs
	C-00100-050	Composite Ball Joint - 4 pcs







	C-00100-052	Composite Body Mount - Short - Threaded - 2 pcs
	C-00100-053	Alum. Body Mount Cambered Nuts - 4 pcs
	C-00100-056	Composite Lower Pivot Brace - 1 pc
	C-00100-065	Alum. Ball Dia. 6mm - for Ball Joint - 2 pcs
	C-00100-066	Alum. Shim Ring - ID 3mm - OD 4mm - 0.5mm - 10 pcs
	C-00100-067	Alum. Shim Ring - ID 3mm - OD 4mm - 1.0mm - 10 pcs

	C-00100-073	D-Lock Diff Plate - Carbon Steel - 2 pcs
	C-00100-075	Belleville Washer - Steel - 4 pcs
	C-00100-077	Alum. Shim Ring - ID 6.35mm - 0.4mm - 5 pcs
	C-00100-079	Alum. Pivot Ball - Hardcoated - 2 pcs
	C-00100-082	Alum. Threaded Ball 4.25mm - 2 pcs
	C-00100-083	Alum. Shim Ring - ID 3mm - OD 5mm - 3mm - 5 pcs



	C-00100-101	Shock Spring - Blue 1.0mm - Medium - 1 pc OPTIONAL PART
	C-00100-102	Shock Spring - Black 0.9mm - Soft - 1 pc OPTIONAL PART
	C-00100-103	Side Springs - Silver 0.6mm - Medium Soft - 2 pcs OPTIONAL PART
	C-00100-104	Side Springs - Black 0.7mm - Medium - 2 pcs OPTIONAL PART
	C-00100-105	Front Spring Coils - Blue 0.6mm - Hard - 2 pcs OPTIONAL PART
	C-00100-106	Front Spring Coils - Black 0.5mm - Medium - 2 pcs OPTIONAL PART







	C-00100-108	Side Springs - Blue 0.8mm - Hard - 2 pcs OPTIONAL PART
	C-00120-001	Chassis FSX-10 - Graphite 2.5mm - 1 pc
	C-00120-002	Rear Pod Upper Plate FSX-10 - Graphite 2.5mm - 1 pc
	C-00120-003	Suspension Arm Mount Plate FSX-10 - Upper - Graphite 2.5mm - 1 pc
	C-00120-004	Body Mount Plate FSX-10 - Graphite 2.5mm - 1 pc
	C-00120-005	Front Suspension Arm FSX-10 - Lower - Graphite 2.5mm - 1 pc













	C-00120-006	Rear Brace FSX-10 - Lateral - Graphite 2.5mm - 1 pc
	C-00120-007	Rear Pod Lower Plate FSX-10 - Graphite 2.5mm - 1 pc
	C-00120-008	Front Suspension Arm FSX-10 - Upper - Graphite 2.5mm - 1 pc
	C-00120-009	Rear Wing Bulkhead Plate FSX-10 - Graphite 2.5mm - 1 pc
	C-00120-010	Composite Rear Wing FSX-10 - Part A + B - 1 set
	C-00120-012	Composite Front Wing FSX-10 - 1 pc

	C-00120-014	Composite Wing Mount FSX-10 - 1 pc
	C-00120-015	Alum. Rear Bulkhead Motor FSX-10 - SSX-10 - Left - 7075 T6 - 1 pc
	C-00120-016	Alum. Rear Bulkhead Motor FSX-10 - SSX-10 - Right - 7075 T6 - 1 pc
	C-00120-017	Alum. Side Linkage Damper Tube FSX-10 - 2 pcs
	C-00120-018	Composite Damper Tube Rod FSX-10 - 2 pcs
	C-00120-019	Alum. Rear Wheel Hub FSX-10 - Left - 1 pc



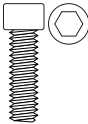
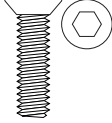
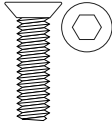
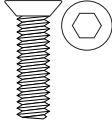
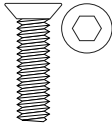
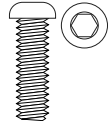
	C-00120-020	Alum. Rear Wheel Hub FSX-10 - Right - 1 pc
	C-00120-021	Alum. Rear Drive Axle FSX-10 - 1 pc
	C-00120-022	Pin 2x14 - Steel - 5 pcs
	C-00120-023	Composite Lock Nut FSX-10 - pc
	C-00120-024	Alum. Bearing Insert for Diff. FSX-10 - 1 pc
	C-00120-025	Graphite Rear Axle shaft FSX-10 - 1 pc

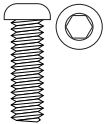
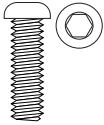
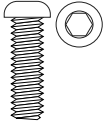
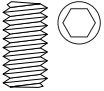
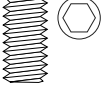
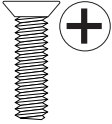
	C-00120-027	Alum. Servo Mount Post - 2 pcs
	C-00120-028	Alum. Damper Holder FSX-10 - SSX-10 - 1 pc
	C-00120-029	Alum. Spacer Holder - 27mm - 2 pcs
	C-00120-030	Alum. Spacer Holder - 30mm - 2 pcs
	C-00120-031	Alum. Steering Pivot Post FSX-10 - 1 pc
	C-00120-032	Alum. Spacer Holder - A - 12mm - 2 pcs



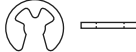
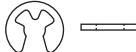


	C-00120-033	Alum. Spacer Holder - B - 11mm - 2 pcs OPTIONAL PART		C-00120-039	Alum. Excentric Caster Nut - B - 0.5° - 1.5° - 2 pcs OPTIONAL PART
	C-00120-034	Alum. Spacer Holder - C - 10mm - 2 pcs OPTIONAL PART		C-00120-040	Alum. Excentric Caster Nut - C - 0° - 2.0° - 2 pcs OPTIONAL PART
	C-00120-035	Alum. Spacer Holder - D - 9mm - 2 pcs OPTIONAL PART		C-00120-041	King Pin FSX-10 - Steel - 2 pcs
	C-00120-036	Alum. Camber Adjustment Plate FSX10 - A - 6° - 9° - 1 pc		C-00120-042	Composite Steering Knuckle FSX-10 - 2 pcs
	C-00120-037	Alum. Camber Adjustment Plate FSX10 - B - 3° - 12° - 1 pc OPTIONAL PART		C-00120-043	Front Wheel Axle FSX-10 - Steel - 2 pcs
	C-00120-038	Alum. Excentric Caster Nut - A - 1° - 2 pcs		C-00120-044	Turnbuckle M3 x 35mm - Steel - 2 pcs




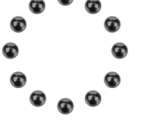



	C-00120-047	Composite Steering Arm FSX-10 - 1 pc
	C-00120-048	Composite Arm Bushing - 8 pcs
	C-00120-049	C-Clips 7mm - Steel - 8 pcs
	C-10114	Servo Saver Small - 25T Spline - 1 pc
	C-30001	Steel Screws M3 X 8mm - Hex Socket Head - 10 pcs
	C-30018	Steel Screws M2 X 4mm - Hex Socket Head - 10 pcs

	C-30030	Steel Screws M2.5 X 6mm - Hex Socket Head - 10 pcs
	C-30050	Steel Screws M3 X 6mm - Hex Flat Head - 10 pcs
	C-30051	Steel Screws M3 X 8mm - Hex Flat Head - 10 pcs
	C-30052	Steel Screws M3 X 10mm - Hex Flat Head - 10 pcs
	C-30063	Steel Screws M4 X 12mm - Hex Flat Head - 10 pcs
	C-30100	Steel Screws M3 X 6mm - Hex Button Head - 10 pcs

	C-30101	Steel Screws M3 X 8mm - Hex Button Head - 10 pcs
	C-30102	Steel Screws M3 X 10mm - Hex Button Head - 10 pcs
	C-30103	Steel Screws M3 X 12mm - Hex Button Head - 10 pcs
	C-30152	Steel Set Screws M3 X 8mm - Hex - 10 pcs
	C-30157	Steel Set Screws M3 X 6mm - Hex - 10 pcs
	C-30200	Steel Screws M2.5 X 6mm - Philips Flat Head - 10 pcs

	C-31025	Alum. Nylstop Nut M3 - Red - 10 pcs
	C-31035	Alum. Nylstop Nut M4 - Red - 10 pcs
	C-32150	E-Clips Dia. 1.5mm - 10 pcs
	C-32151-T	E-Clips Dia. 2.3mm - Thin - 10 pcs
	C-360508	Ball Bearing ABEC 3 - 8 x 5 x 3mm - 4 pcs
	C-360510	Ball Bearing ABEC 3 - 5 x 10 x 4mm - 4 pcs



	C-38010	Precision Diff. Balls 1/8 - Chrome - 12 pcs
	C-38020	Precision Diff. Balls 1/8 - Ceramic - 12 pcs
OPTIONAL PART		
	C-381438	Ball Bearing ABEC 3 - 1/4 x 3/8 - 4 pcs
	C-391438	Ball Bearing ABEC 3 - 1/4 x 3/8 - Flanged - 4 pcs
	C-75090	Delrin CNC-Cut Spur Gear 90T - 64DP - 1 pc



www.corally.com

This manual is an edition of Team Corally, Geelseweg 80, B-2250 OLEN (Belgium). This manual is protected by a copyright and nothing from this edition may be reproduced or used without any prior written authorisation. Whilst every effort has been made to ensure the accuracy of the information in this catalogue, errors do creep in and Team Corally can accept no responsibility for failures, wrong specifications, accuracy of colours, losses or damages caused. Team Corally denies any responsibility claims or damages caused by use of our products. Team Corally is not responsible for product changes or availability of our products. The products of dangerous nature included in this manual are submissive to special handling and storage specifications. Please check with your local authorities for existing legislation.



Team Corally • Geelseweg 80 • 2250 Olen • Belgium
Tel: +32 14 25 92 94 • info@corally.com • www.corally.com