

#1622 EU SPEC

HIGH PERFORMANCE 1:10 ELECTRIC TOURING CAR

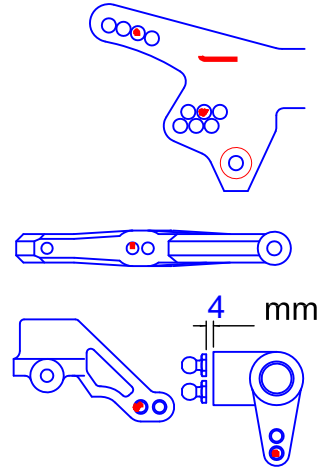
SETUP SHEET

Track / City: Odense

Event: DHI Cup Date: 10.01.2010

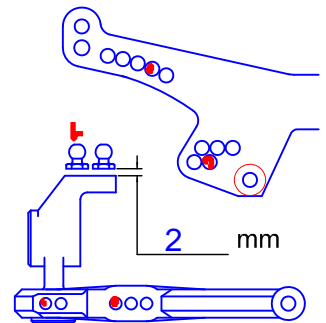
Front

Caster 4° Downstops 6 mm mm Oil 50 Corally WT
 Toe-out Neutral Anti-roll bar 1,4 mm Piston 3 hole Tam
 Camber 1,5° Front width 187 mm Rebound 25 %
 Ride Height 5,0 mm Front drive Spool Spring HPI Gold lbs
 Wishbone Corally Front pulley 36 T Shock tower STD
 Wheelbase Short Steering Std Steering block Plastic
 F Mount 2,0 mm F Height shims _____ mm F WB shims _____ mm
 R Mount 2,0 mm R Height shims 0,6 mm R WB shims _____ mm



Rear

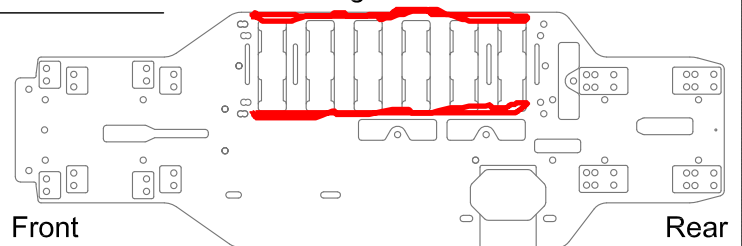
Anti-squat no Downstops 5 mm mm Oil 50 Corally WT
 Toe-in 2,5 degree Anti-roll bar 1,2 mm Piston 3 hole Tam
 Camber 2,0° Rear width 190 mm Rebound 25 %
 Ride Height 5,0 mm Center pulley 21 T Spring HPI Silver lbs
 Wishbone Corally Rear pulley 36 T Shock tower STD
 Wheelbase Short Upright _____ toe-in
 F Mount 2,5 mm F Height shims no mm F WB shims no mm
 R Mount 1,0 mm R Height shims no mm R WB shims no mm



Others

Tires LRP CPX Handout DHI Cup Tire additive Corally TC4
 Motor 4,5 turn Motor setup 12,5 mm Rotor Spur / Pinion 104 T / 24 T
 Radio Sanwa M11X Servo Graupner/GM ESC GM Genius 150
 Body Speed 6 LW Wing STD / Normal
 Lead Weights 135 g

Weight balance



Track Conditions

Surface Carpet
 Traction Good
 Temp. 21
 Notes _____

Race Comments

Main A Finish 6 Qual. Pos. 9 Time 15,8 F Lap Laps _____
40 Min front and rear Tire Additive !!! new Corally Straight wishbones