

Driver: ADAM PRYKE

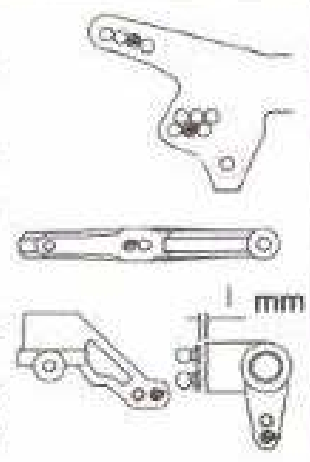
Track/City: RUGRACES

Event: ROUND 4 Date: 4/1/2010

HIGH PERFORMANCE 1:10 ELECTRIC TOURING CAR SETUP SHEET

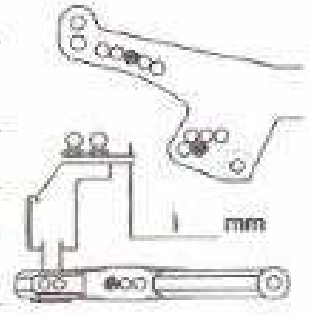
Front

Caster 3 Downstops 6 mm Oil 40 WT
 Toe-out 0.5 Anti-roll bar NA Piston 3 HOLE
 Camber 2 Front width KIT mm Rebound 25/0
 Ride Height 5 1/4 Front drive SPRDL Spring 17 lbs
 Wishbone 35 Front pulley 42 Shock tower KIT
 Wheelbase KIT Steering _____ Steering block _____
 F Mount 1.5 F Height shims NA mm F WB shims 1.4 mm
 R Mount 1 R Height shims NA mm R WB shims 1.4 mm



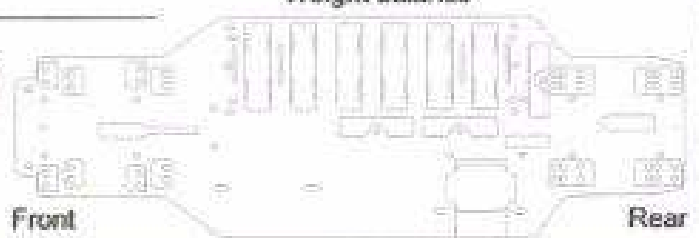
Rear

Anti-squat 0 Downstops 5 mm Oil 30 WT
 Toe-in 3 Anti-roll bar NA Piston 3 HOLE
 Camber 2 Rear width _____ mm Rebound 25/0
 Ride Height 5 1/2 Center pulley KIT T Spring 17 lbs
 Wishbone 35 Rear pulley 42 T Shock tower KIT
 Wheelbase STD Upright 0 toe-in
 F Mount 0.5 F Height shims NA mm F WB shims 1.4 mm
 R Mount 2.5 R Height shims NA mm R WB shims 1.4 mm



Others

Tires MUCH MORE SWEEP Tire additive X1
 Motor GM 10.5 Motor setup _____ Spur / Pinion 78 T / 24 T
 Radio FUTABA Servo RO 243 ESC GM 120
 Body Speed 6 Wing STD Weight balance _____
 Lead Weights 40 g



Track Conditions

Surface CARPET
 Traction HIGH
 Temp. _____
 Notes CAR GETTING ON
 RACE EASIER TO DRIVE

on outside of lips

Race Comments

WILL TRY CHASSIS STEERING
 MOUNT NEXT ROUND. 79253
 Main A Finish 6 Qual. Pos. 10 Time _____ Laps _____
USED ALLOY C HUBS + CASTOR BLOCK