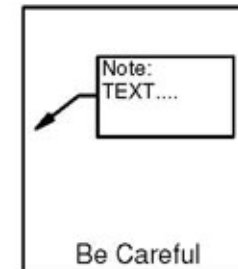
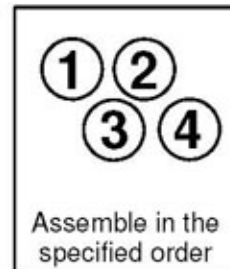
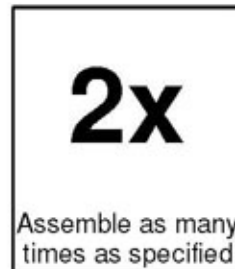
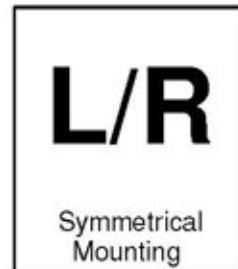




Instruction Manual rel. 1.1 (12-2012)

- Symbols -

Capricorn RC



## WARNING

This radio control model is not toy.

First time builders should seek the advice of experienced modellers before beginning assembly and/or if they do not fully understand any part of the construction. We highly advise to read the instruction manual before assembly, and to always keep it at hand for reference. Take care before operating this model; you are responsible for its assembly and safe operation. The extreme performance of this model could be underestimated by inexperienced drivers and could damage objects and/or people. Assemble this kit only in places out of children's reach!

CAPRICORN RC is not responsible for any damage or harm caused by improper use or assembly.

CAPRICORN RC and its distribution network are not responsible for any damage caused by shipping or handling.

Eventual parts missing from the kit or flawed must be reported within two weeks of purchase to your local hobby shop or distributor. For best performance, we highly advise to only use original authentic CAPRICORN RC parts.

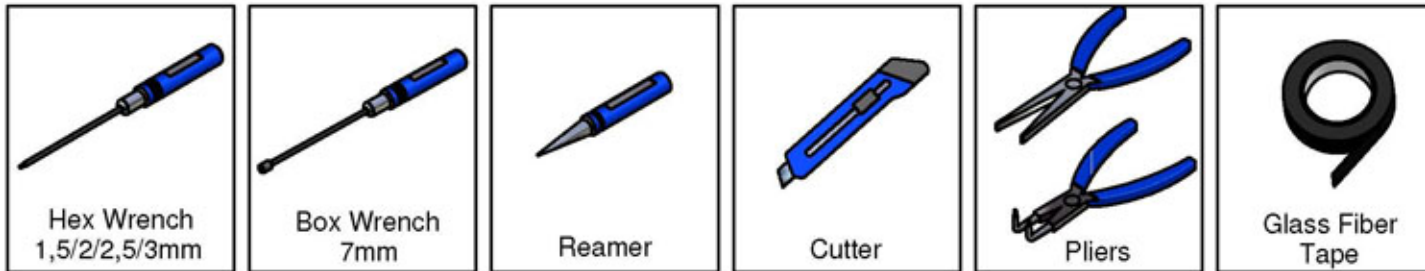
For customer support and service please contact your local hobby shop or agent from whom you purchased this item.

Contents of box may slightly differ from the pictures shown. Construction tools, body, tyres, radio system and servo, motor, ESC and battery pack are NOT INCLUDED unless otherwise stated.

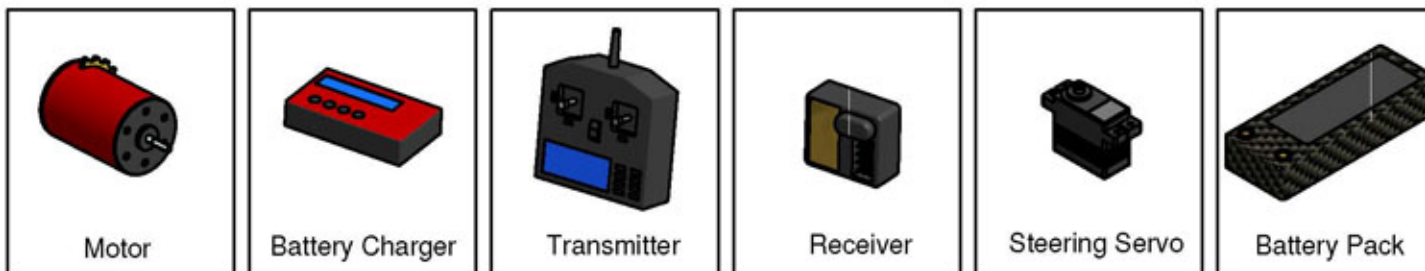
Made in Italy

- Tools & Equipment -

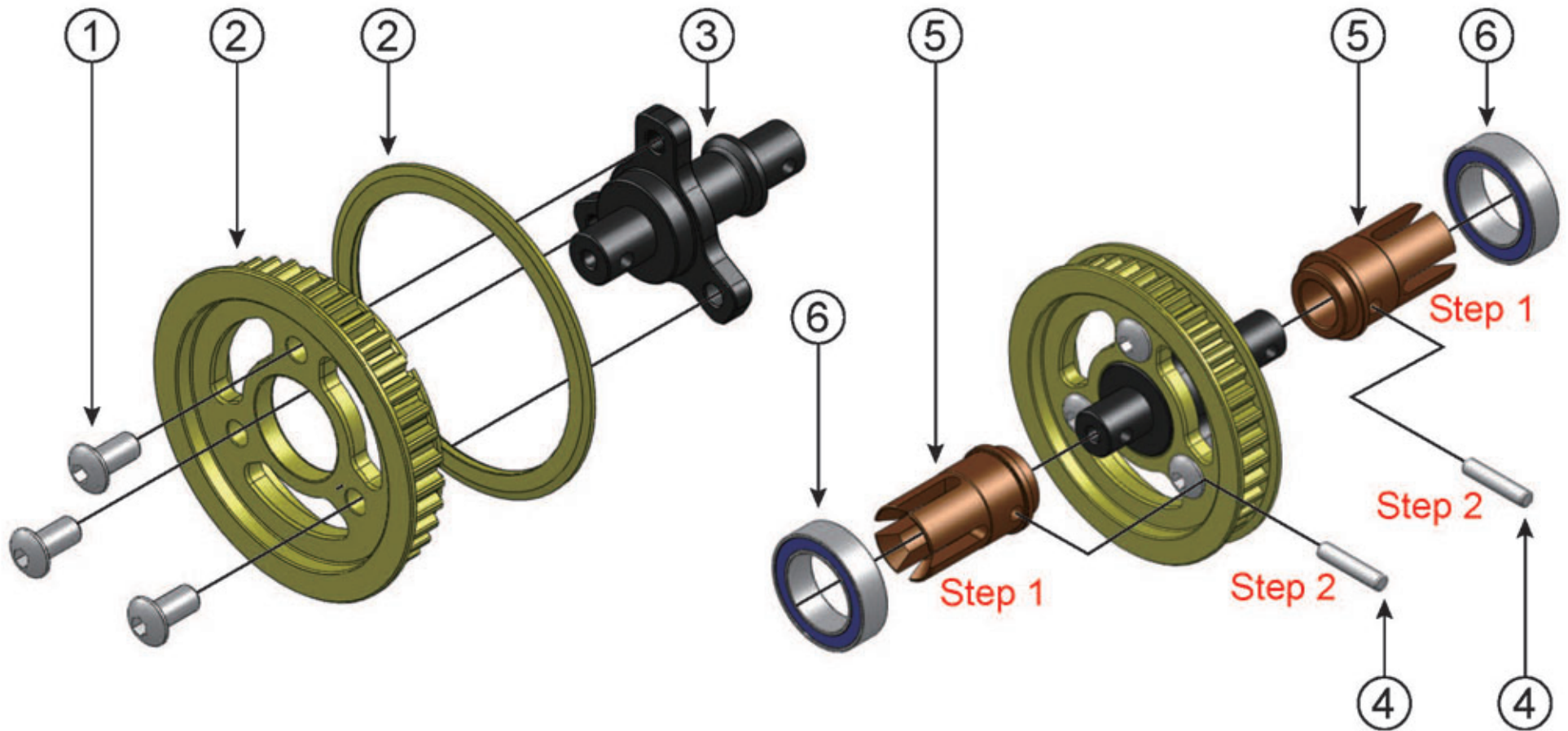
*Tools needed for assembly (NOT INCLUDED)*



*Parts for model completion (NOT INCLUDED)*

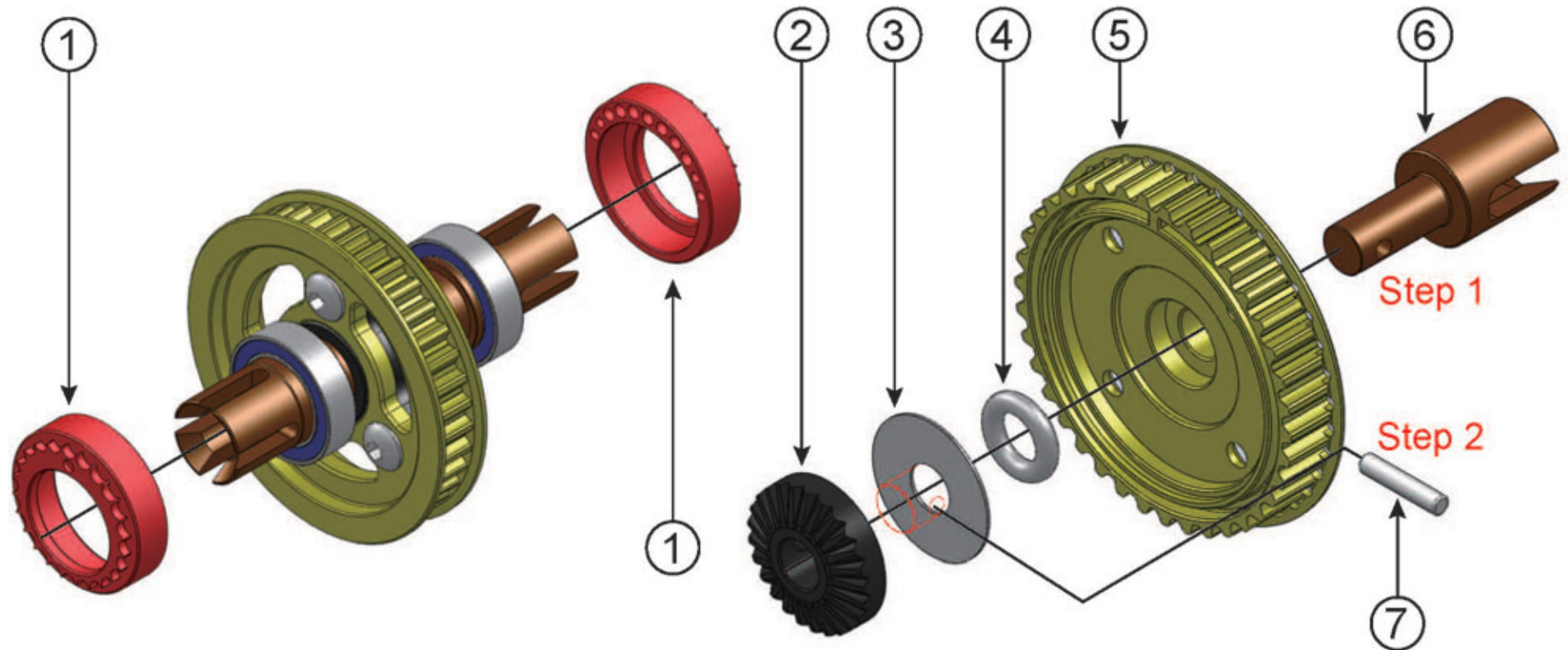


Also required: ESC - Tyres - Polycarbonat body



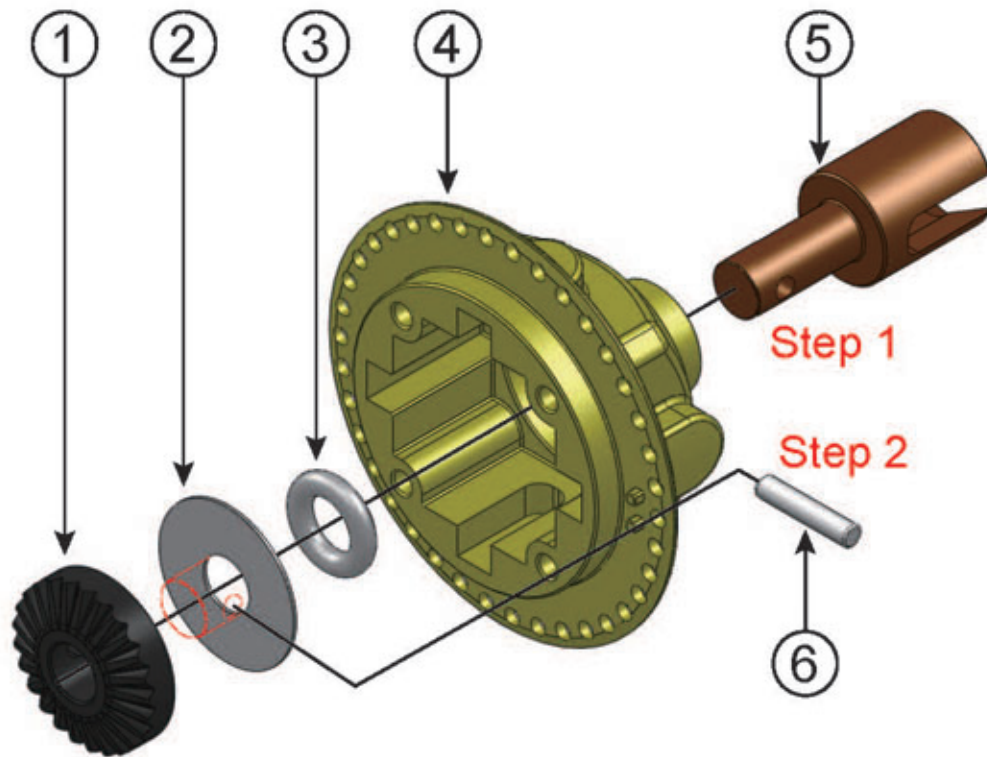
Parts List		
1	Cap17030	3x6 round head screw
2	Cap2102A	Front Spool Pulley 38T kevlar
3	Cap22003	Spool Axle Alu

Parts List		
4	Cap17015	2x9.8mm Pin (2pcs)
5	Cap23001	Spool Outdrive(2pcs)
6	Cap18018	10x15x4mm Ball Bearing(2pcs)

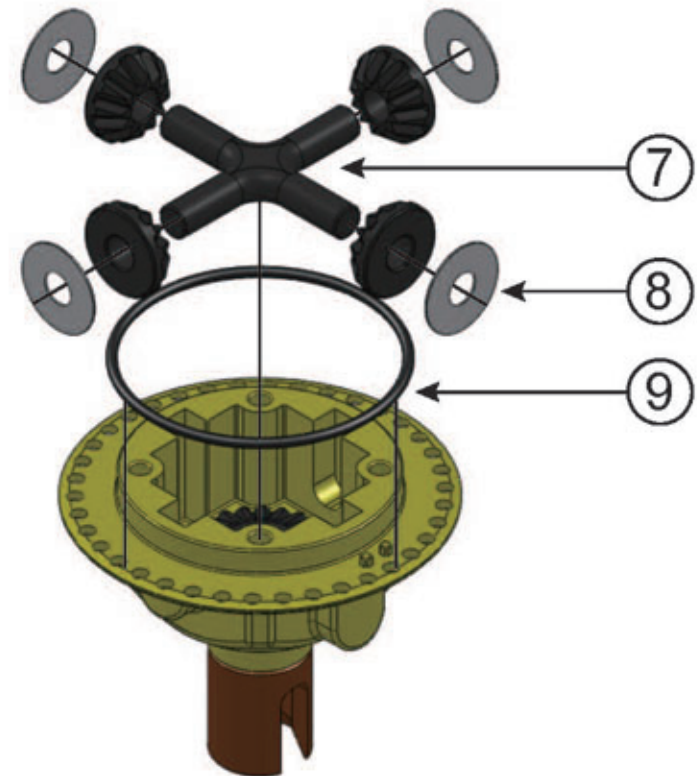


Parts List		
1	Cap20011	Eccentric Hub ergal (2pcs)
2	Cap21110	Diff Gears (with Axle)
3	Cap23024	Gear Diff Shim Set
4	Cap170520	O'ring 5x2 soft (1pcs)

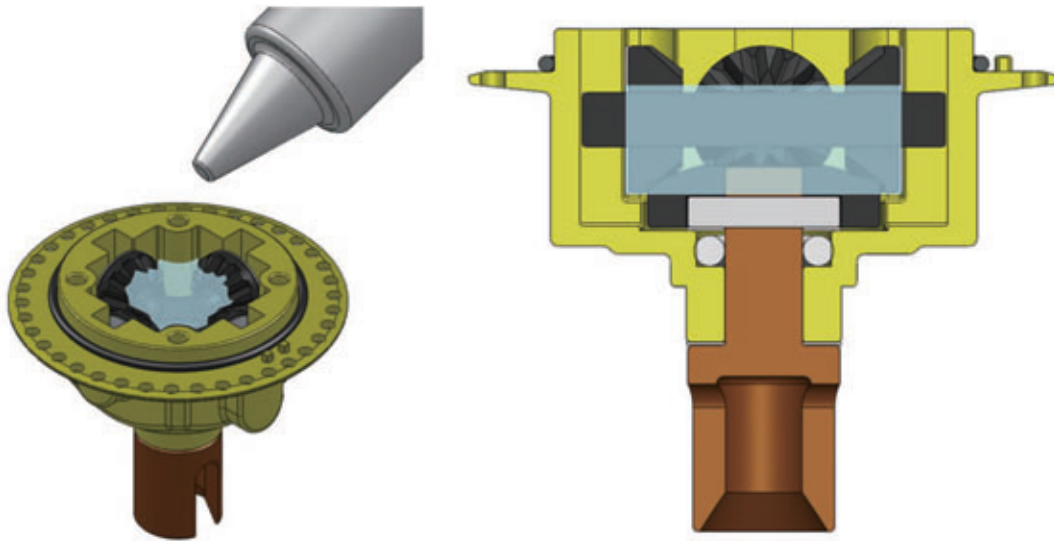
Parts List		
5	Cap2102E	Rear Diff Case kevlar
6	Cap22001	Gear Diff Outdrive Alu (2pcs)
7	Cap17015	2x9.8mm Pin (1pcs)



Parts List		
1	Cap21110	Diff Gears (with Axle)
2	Cap23024	Gear Diff Shim Set
3	Cap170520	O'ring 5x2 soft (1pcs)
4	Cap2102E	Rear Diff Case kevlar
5	Cap22001	Gear Diff Outdrive Alu (2pcs)



Parts List		
6	Cap17015	2x9.8mm Pin (1pcs)
7	Cap21110	Diff Gears (with Axle)
8	Cap23024	Gear Diff Shim Set (4pcs)
9	Cap24005	O'Ring 26x1 For Diff Case(1pcs)



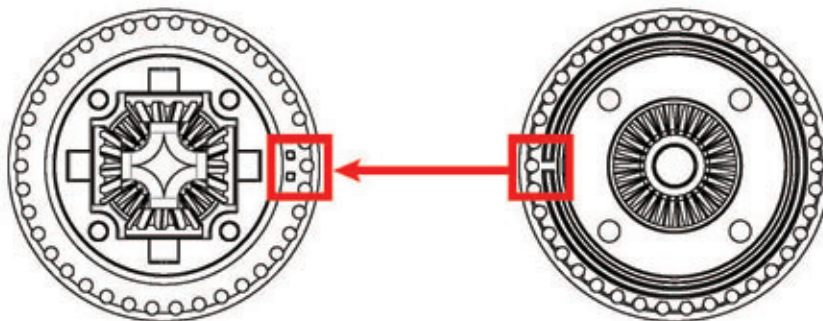
**Notice:**

Fill differential up to the top of the pins with silicon oil.

Initial Setting

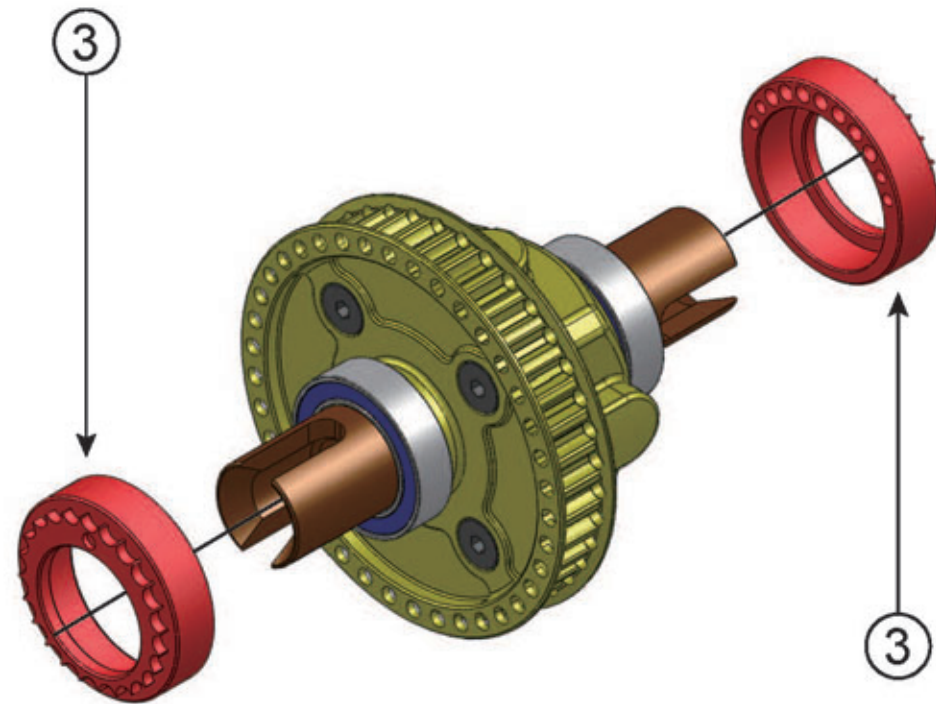
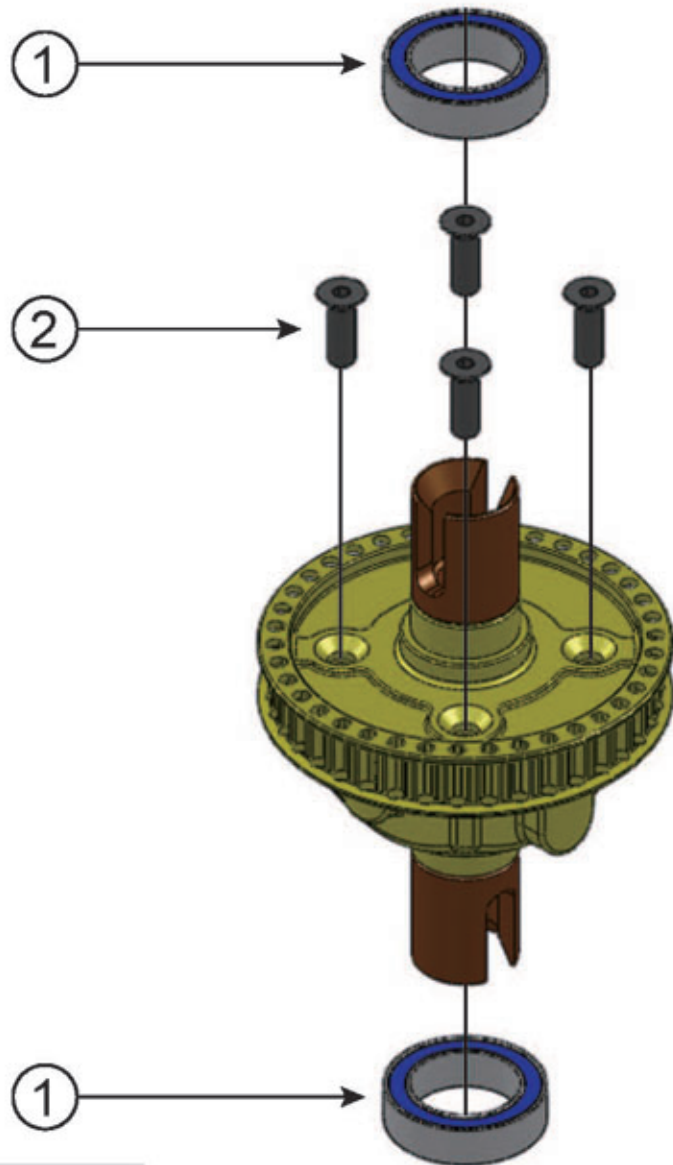
1.000 with stock motor

1.500 with modified motor



**Notice:**

Diff case direction needs to match as below.



Parts List

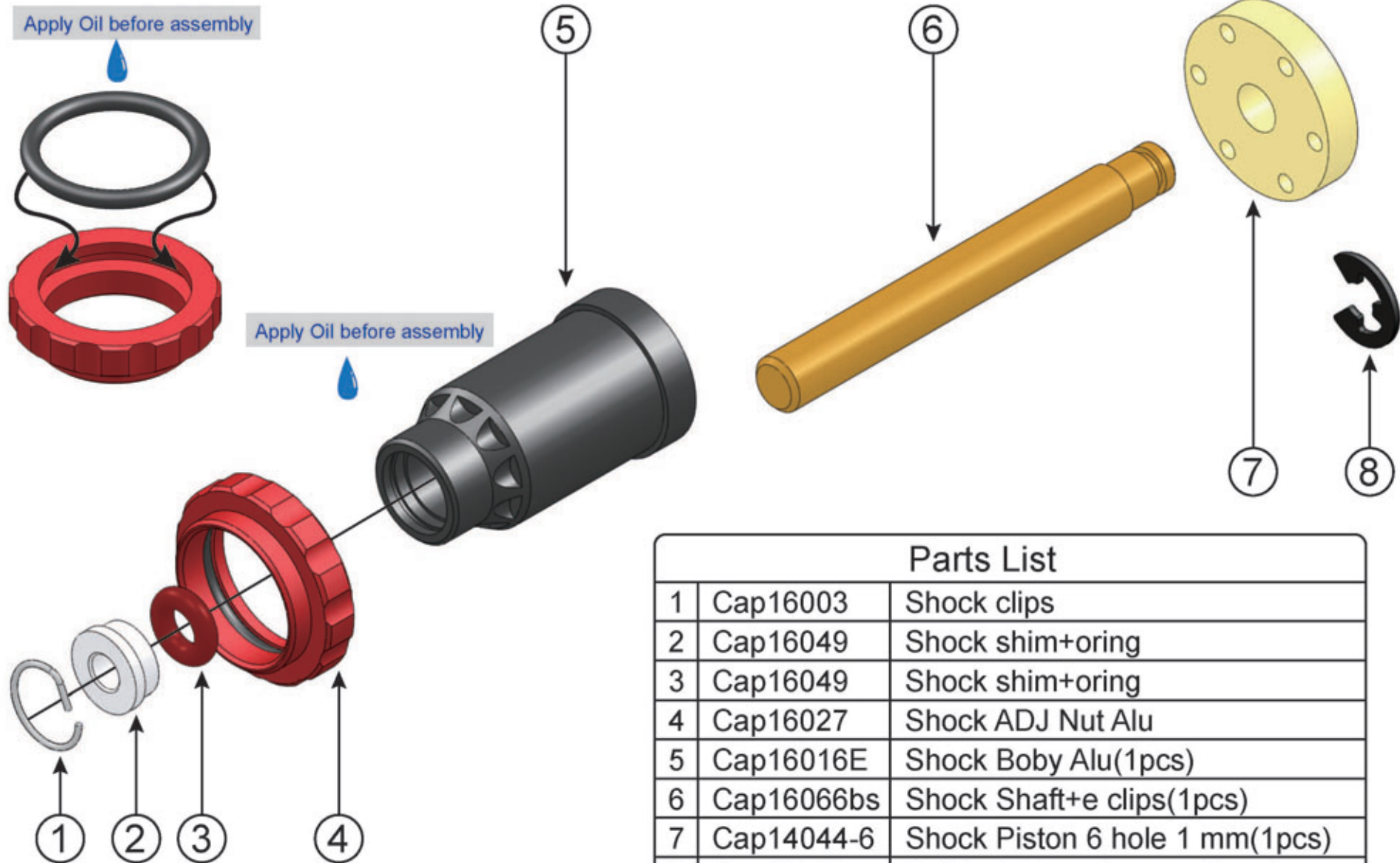
1	Cap18018	10X15mm Ball Bearing (2pcs)
2	Cap17022	2.5x8 flat head screw
3	Cap20011	Eccentric Hub ergal (2pcs)



Step 6.0

- Shock Damper -

Capricorn RC

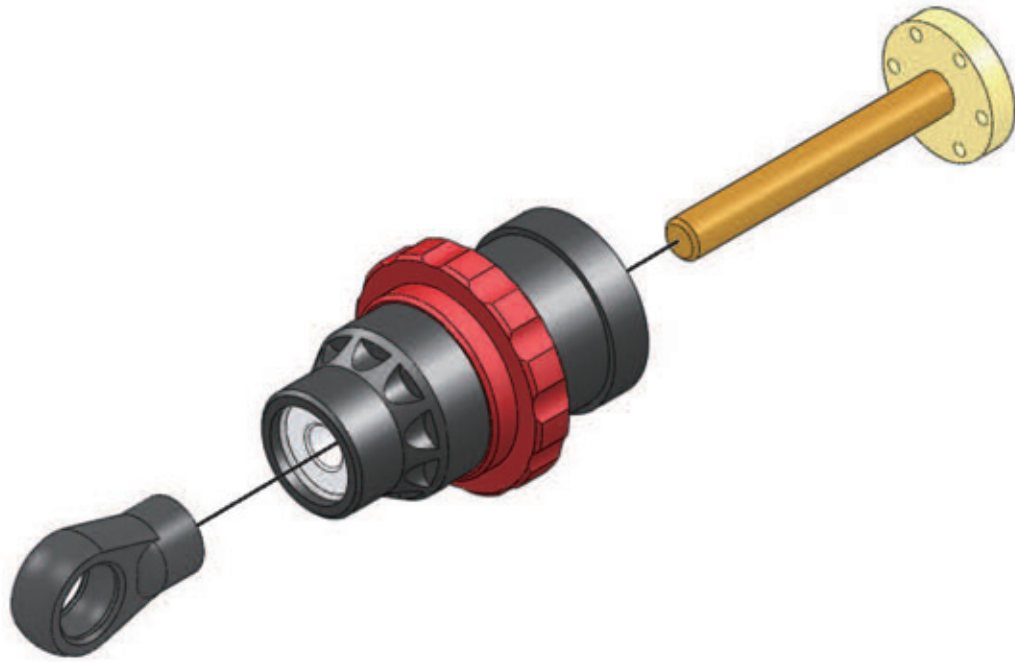


Parts List		
1	Cap16003	Shock clips
2	Cap16049	Shock shim+oring
3	Cap16049	Shock shim+oring
4	Cap16027	Shock ADJ Nut Alu
5	Cap16016E	Shock Boby Alu(1pcs)
6	Cap16066bs	Shock Shaft+e clips(1pcs)
7	Cap14044-6	Shock Piston 6 hole 1 mm(1pcs)
8	Cap18026	E-Clip 1,9mm damper (1pcs)

Made in Italy

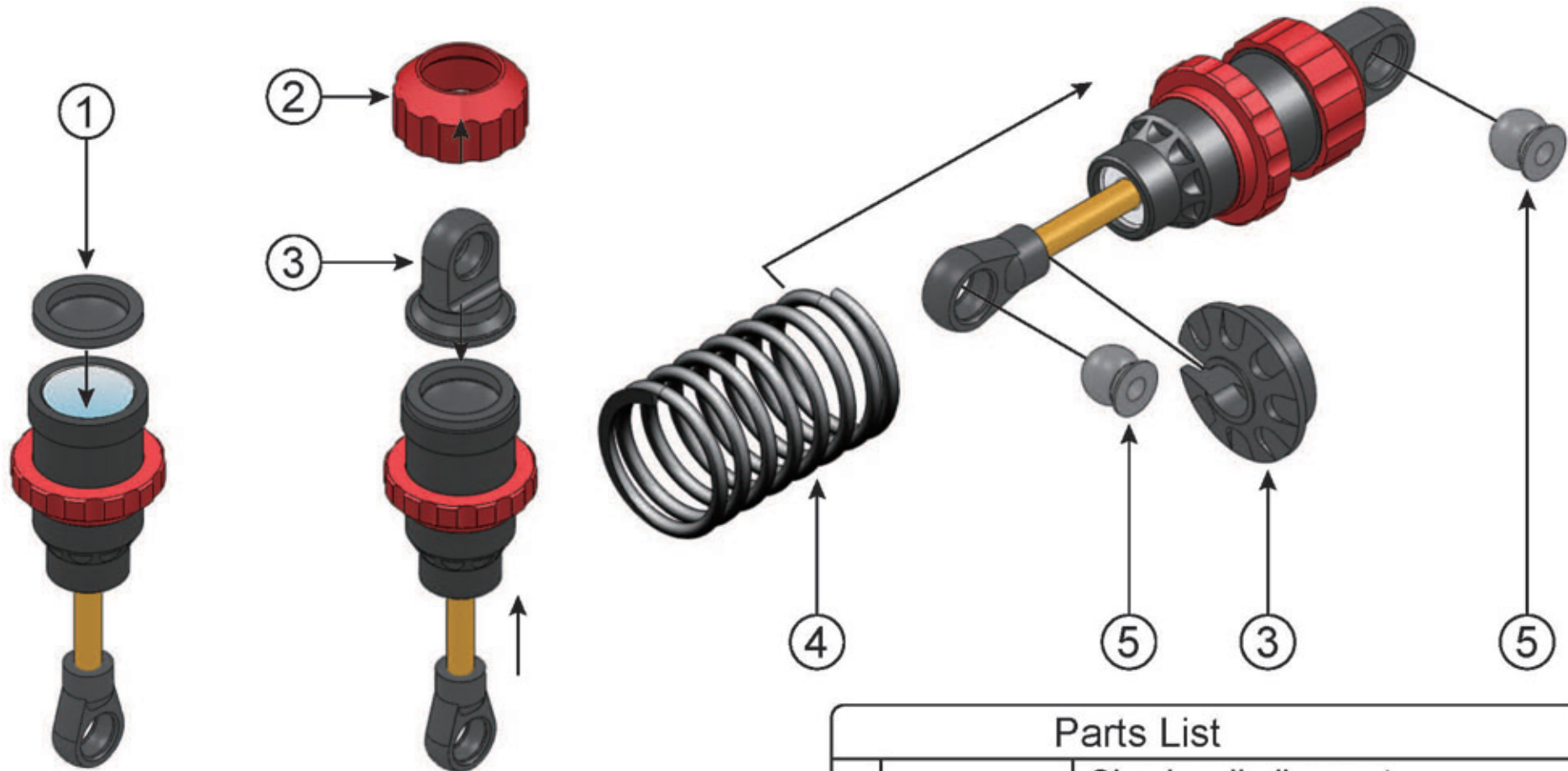
Step 7.0

# - Shock Damper - Capricorn RC



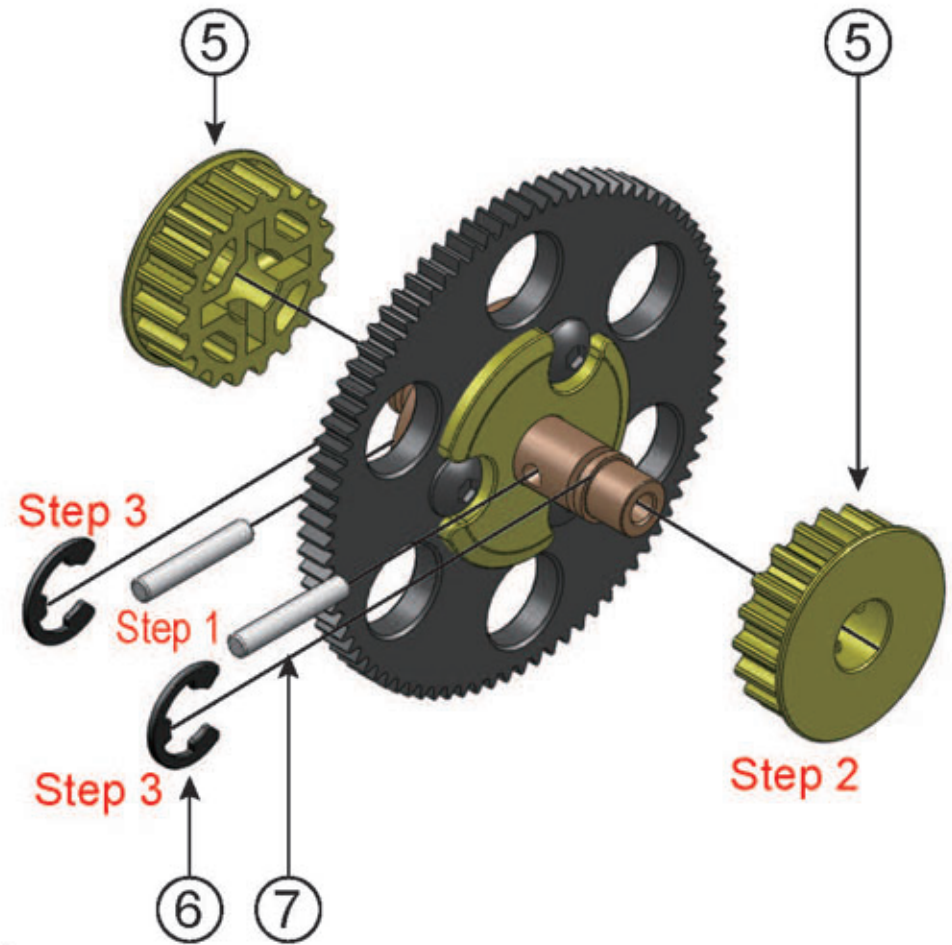
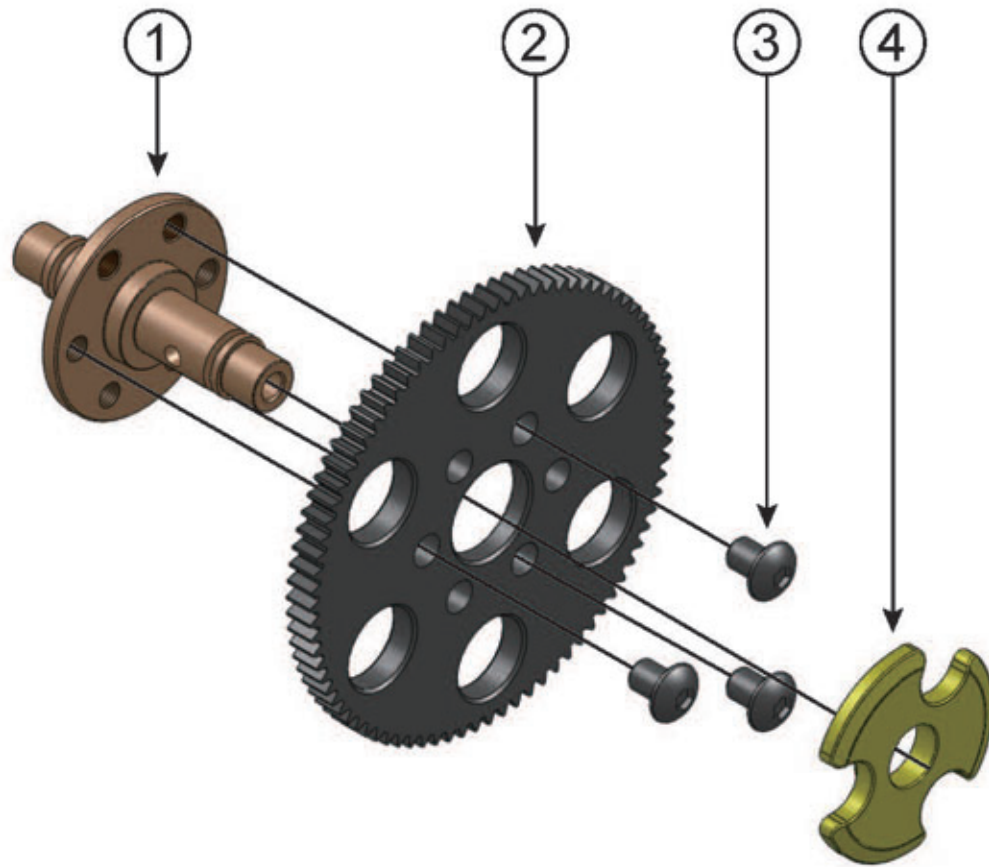
Fill the oil to shock body till full

Made in Italy



Parts List		
1	Cap14033	Shock absorber members
2	Cap16085	Shock cup alu

Parts List		
3	Cap14036	Shock uniball mount + spring retainer
4	Cap27032 Cap27031	Front Shock Spring 0.30 Yellow Rear Shock Spring 0.28 Green
5	Cap16086	5.8mm Ball End ergal hard coated (2pcs)

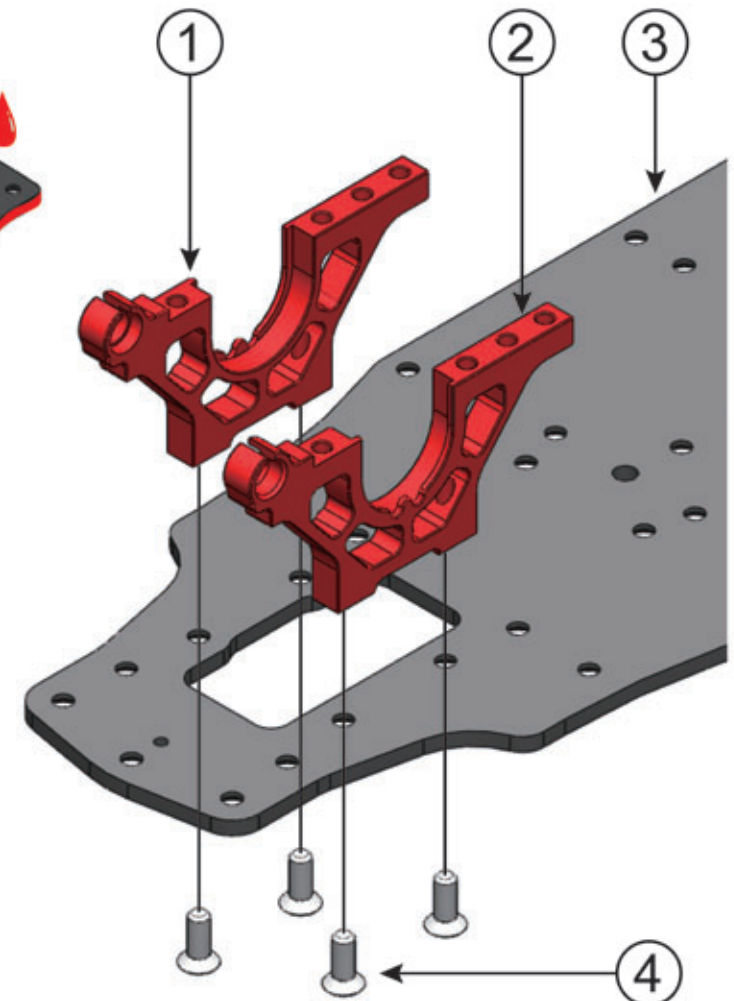
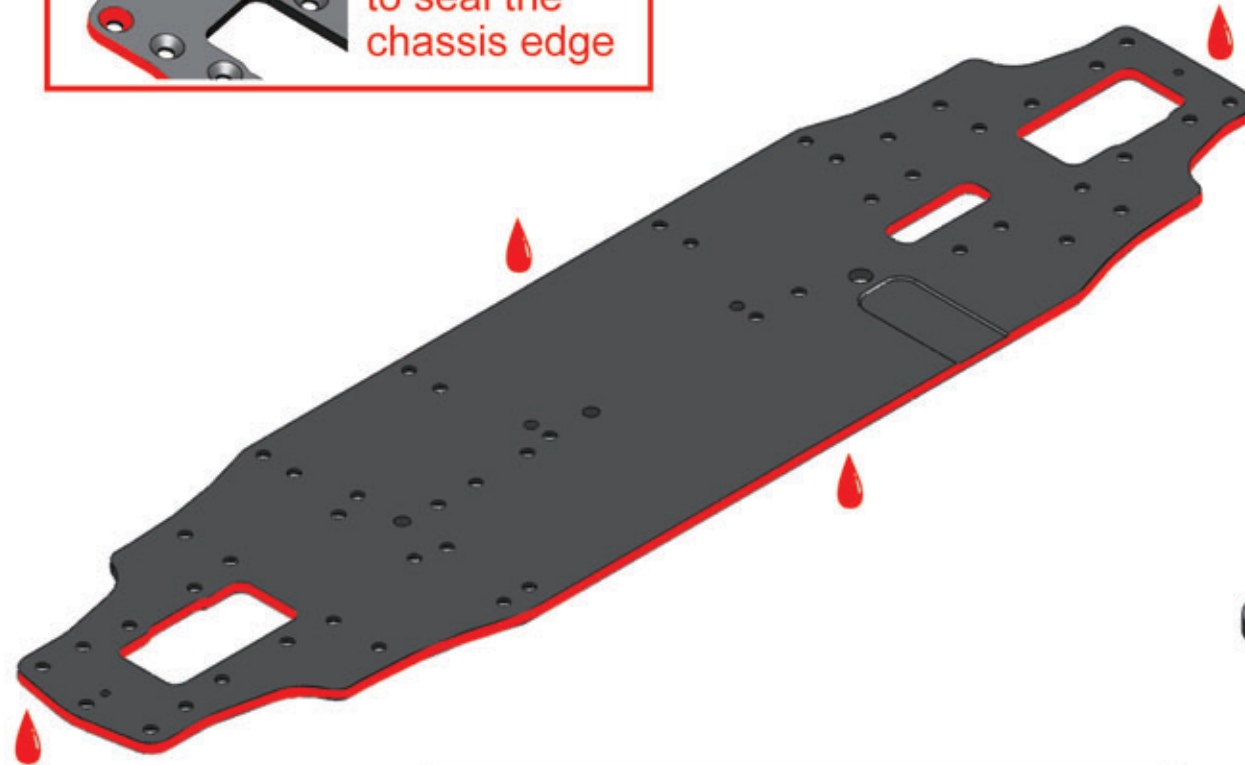


Parts List		
1	Cap22004	Spur Axle Alu
2	Cap29112	Spur gear 112T
3	Cap18021	3x4 round head screw
4	Cap2102C	19T Belt Pulley kevlar

Parts List		
5	Cap2102C	19T Belt Pulley kevlar
6	Cap25502	C-Clip (2pcs)
7	Cap17016	2x11.8mm Pin (2pcs)

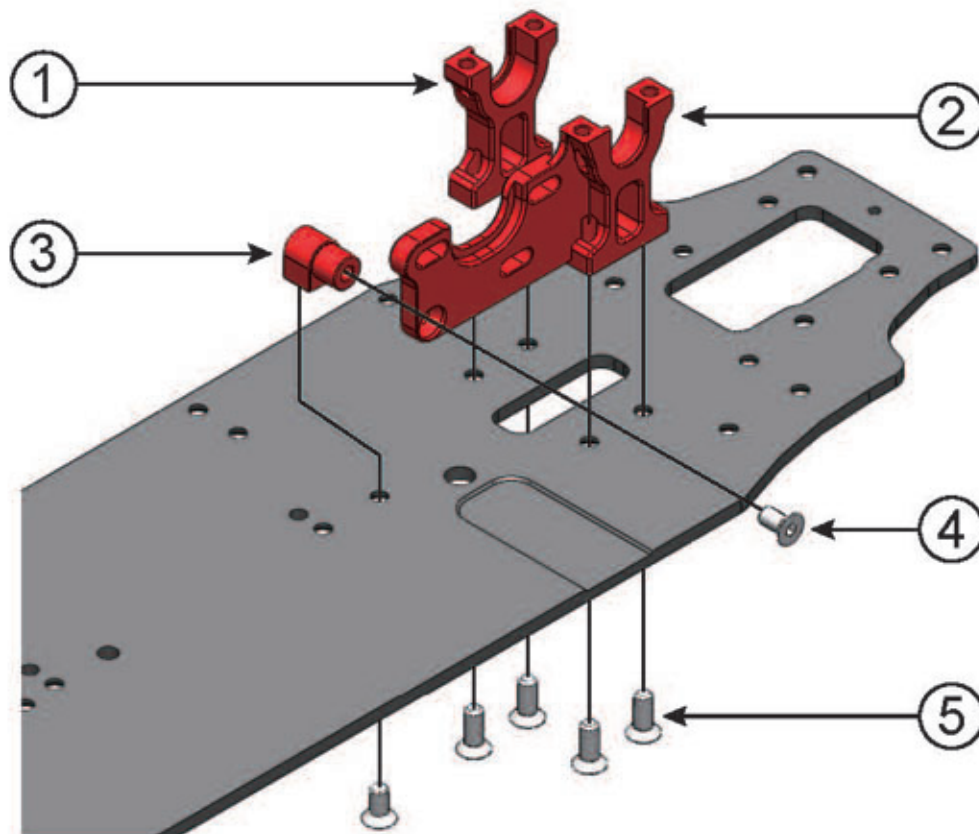
**Notice:**

Use CA Glue  
to seal the  
chassis edge

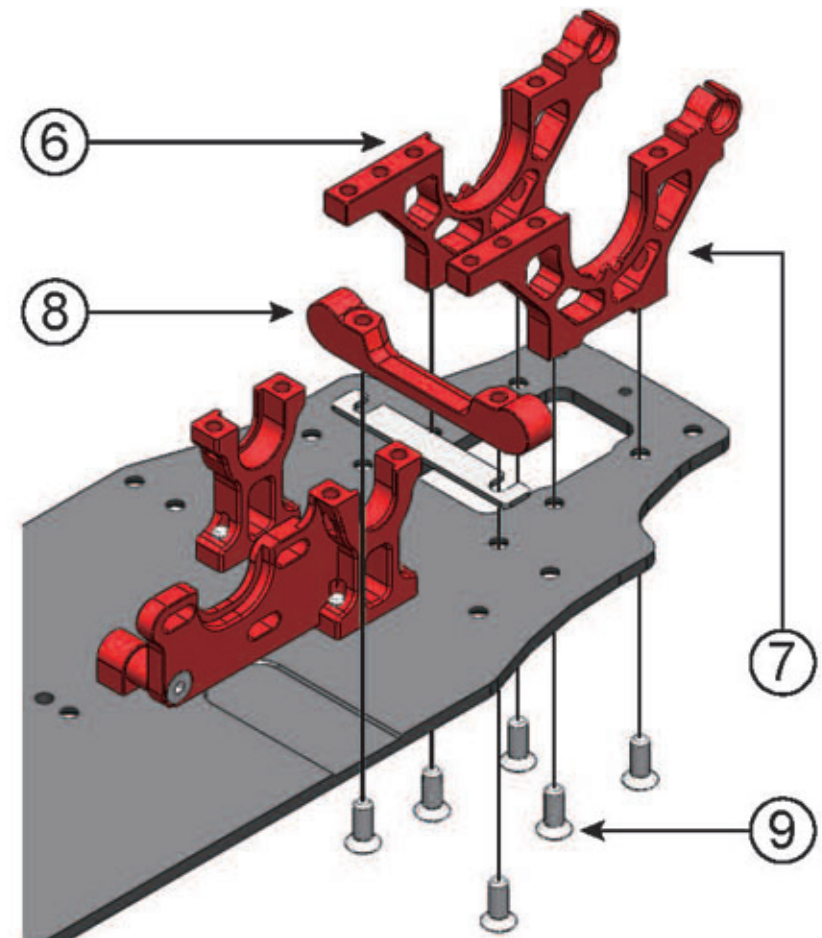


## Parts List

1	Cap20009	Bulkhead Alu FL/RR
2	Cap20010	Bulkhead Alu FR/RL
3	Cap20007	Chassis Carbon 2.5mm
4	Cap17031	3x8 flat head screw



Parts List		
1	Cap22505	Spur Axle Bulkhead
2	Cap22506	Motor Mount Alu for modified and stock
3	Cap22507	Motor Mount Nut Alu
4	Cap17029	3x6 flat head screw
5	Cap17031	3x8 flat head screw

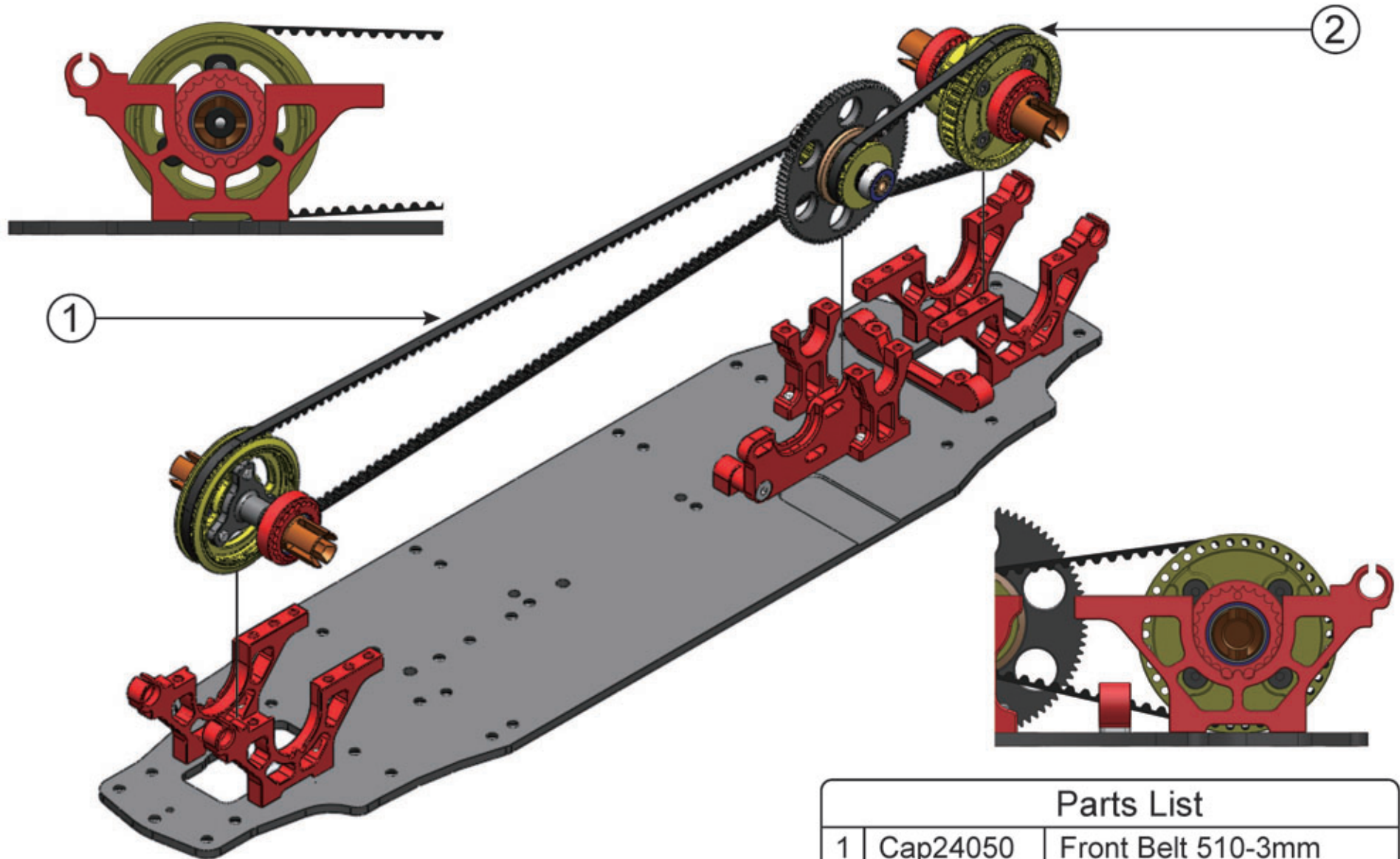


Parts List		
6	Cap20009	Bulkhead Alu FL/RR
7	Cap20010	Bulkhead Alu FR/RL
8	Cap22510	Suspension Alu Bracket #0
9	Cap17031	3x8 flat head screw(6pcs)

Step 12.0

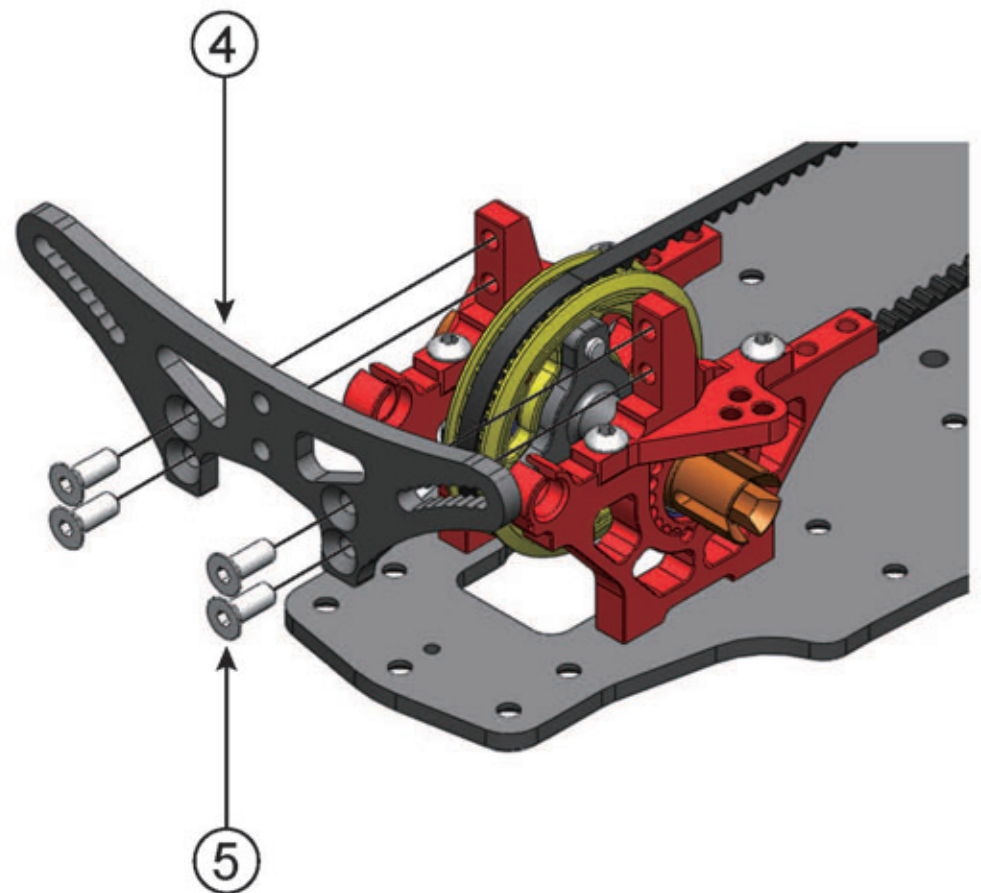
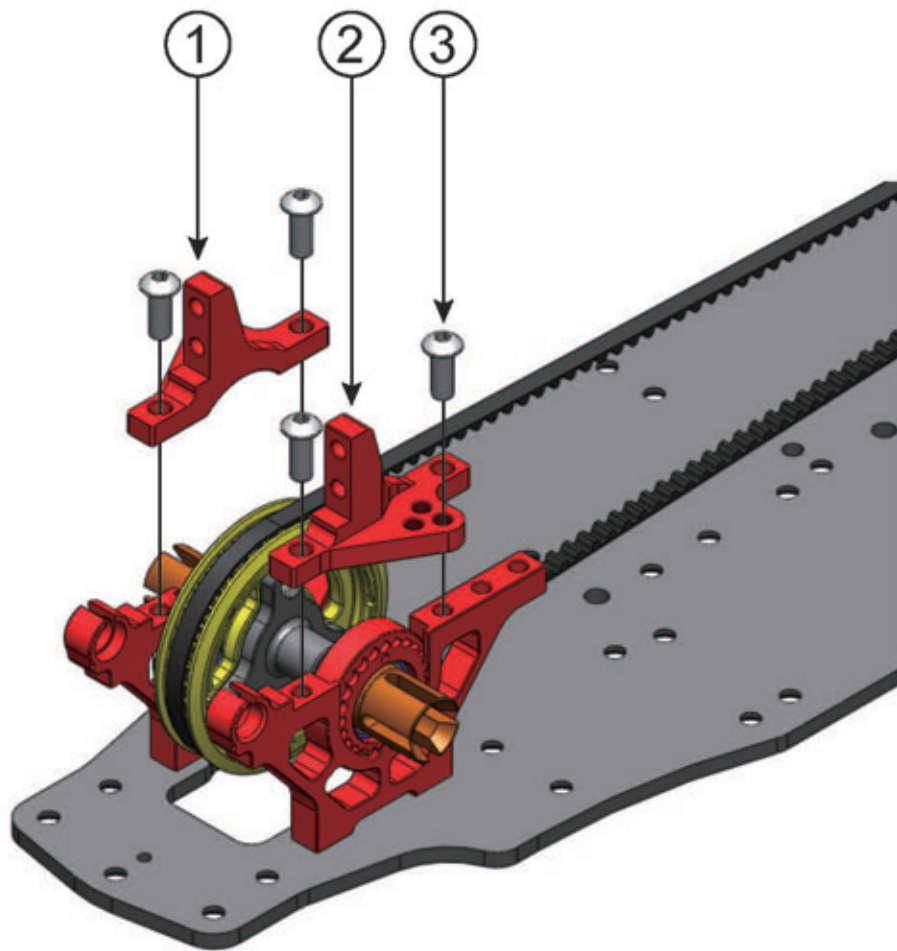
- Transmission -

Capricorn RC



Parts List		
1	Cap24050	Front Belt 510-3mm
2	Cap24051	Rear Belt 3mm

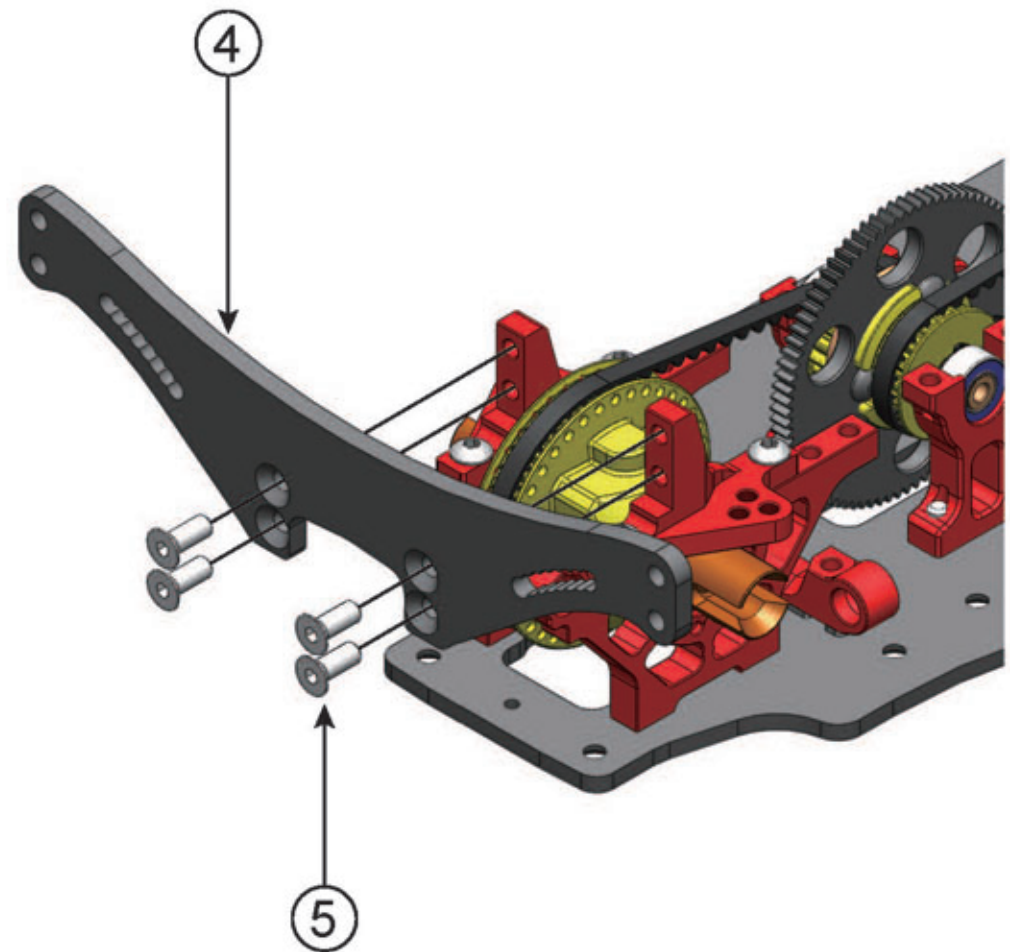
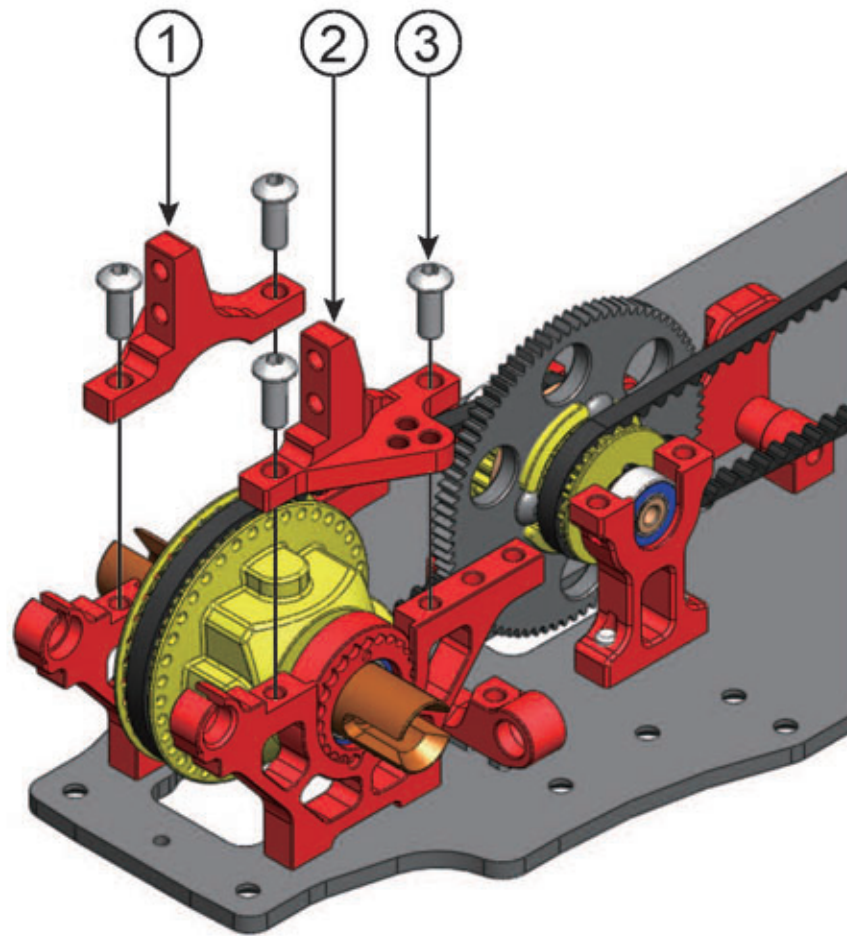
Made in Italy



Parts List		
1	Cap22503	Bulkhead Upper Alu FL/RR
2	Cap22504	Bulkhead Upper Alu FR/RL
3	Cap17032	3x8 round head screw

Parts List		
4	Cap28003	Front Shock Tower 3mm
5	Cap17031	3x8 flat head screw





Parts List		
1	Cap22503	Bulkhead Upper Alu FL/RR
2	Cap22504	Bulkhead Upper Alu FR/RL
3	Cap17032	3x8 round head screw

Parts List		
4	Cap28004	Rear Shock Tower 3mm
5	Cap17031	3x8 flat head screw

Step 15.0

- Front Suspension Bracket -

Capricorn RC

Parts List		
1	Cap29011	Front split suspension bracket
2	Cap22014	Alu shim 3x5.5x1mm
3	Cap23006	Steering Shaft (2pcs)
4	Cap17029	3x6 flat head screw(6pcs)

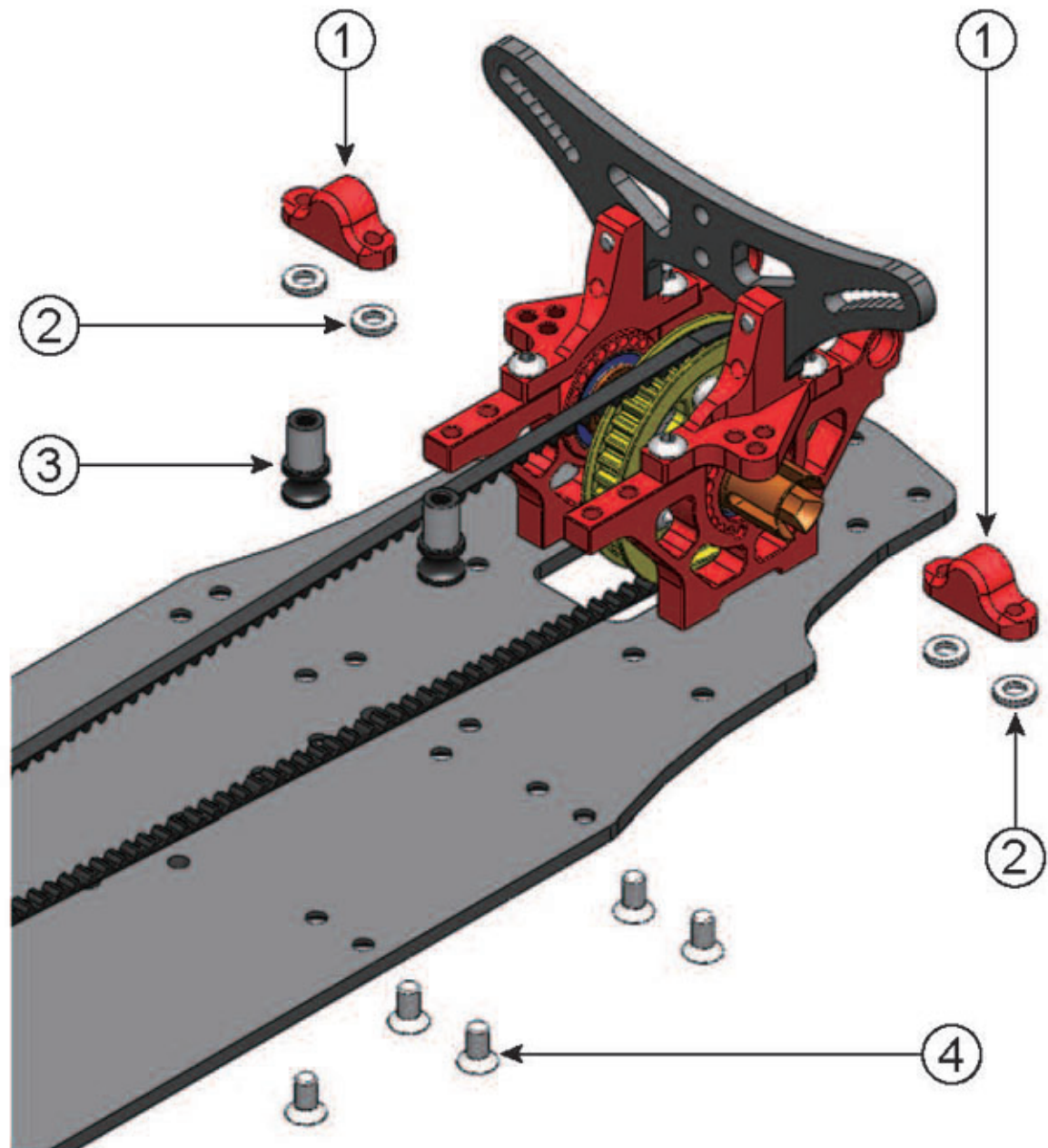
Separate suspension bracket Front



#1 Cut point Inside=#1 Suspension Bracket (Default Setup)

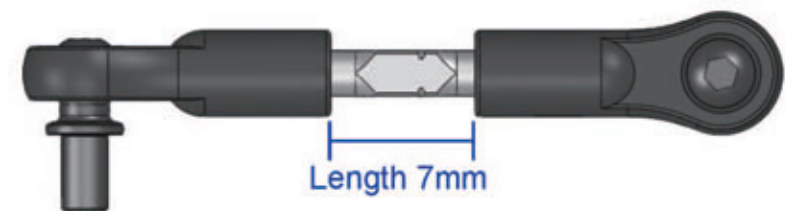
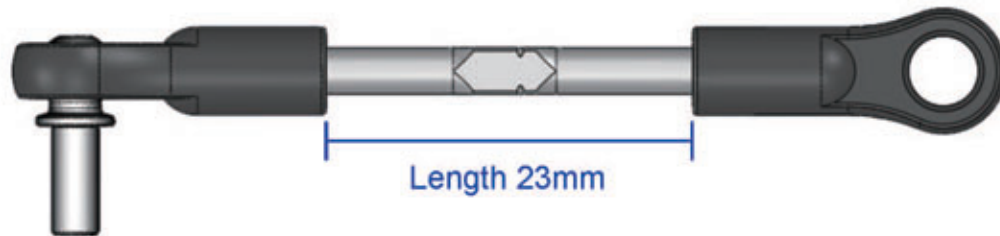
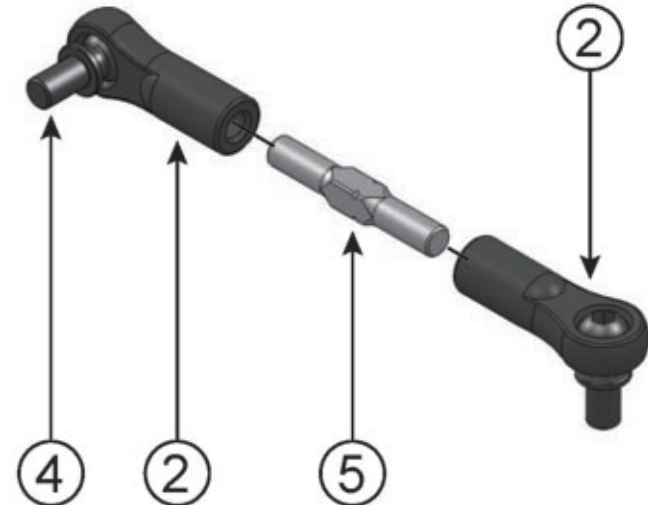
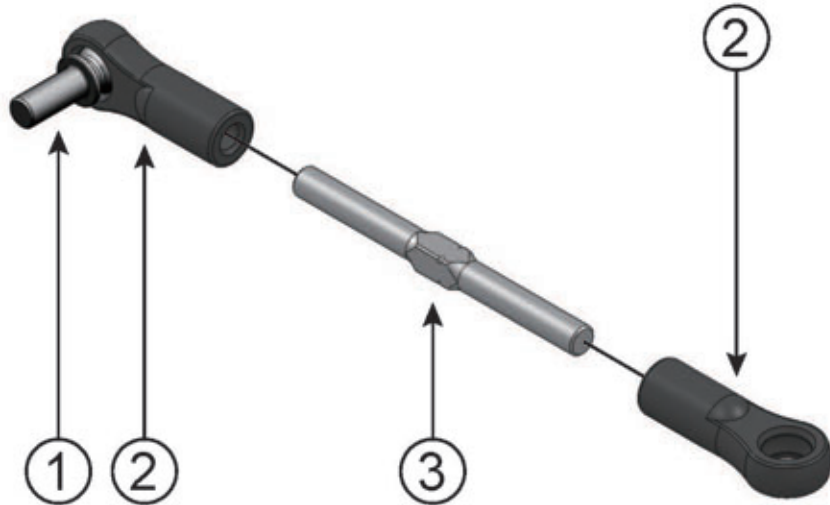


#2 Cut point Outside=#2 Suspension Bracket



Step 16.0

- Turnbuckle - Capricorn RC



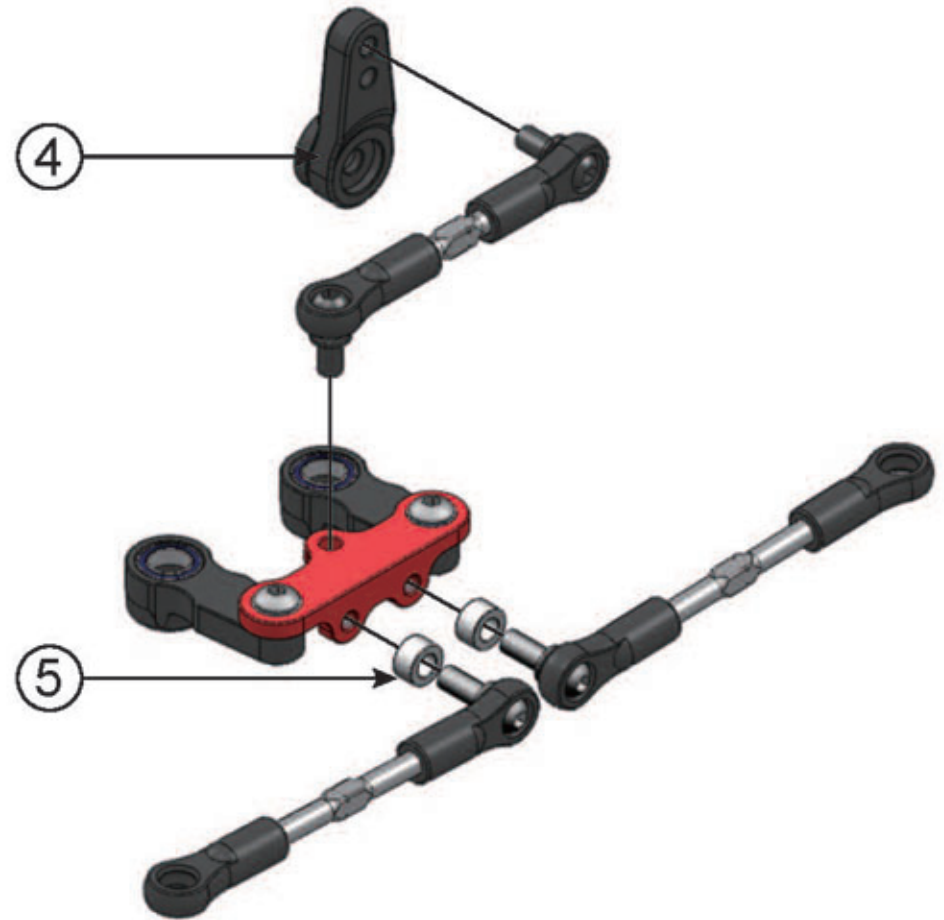
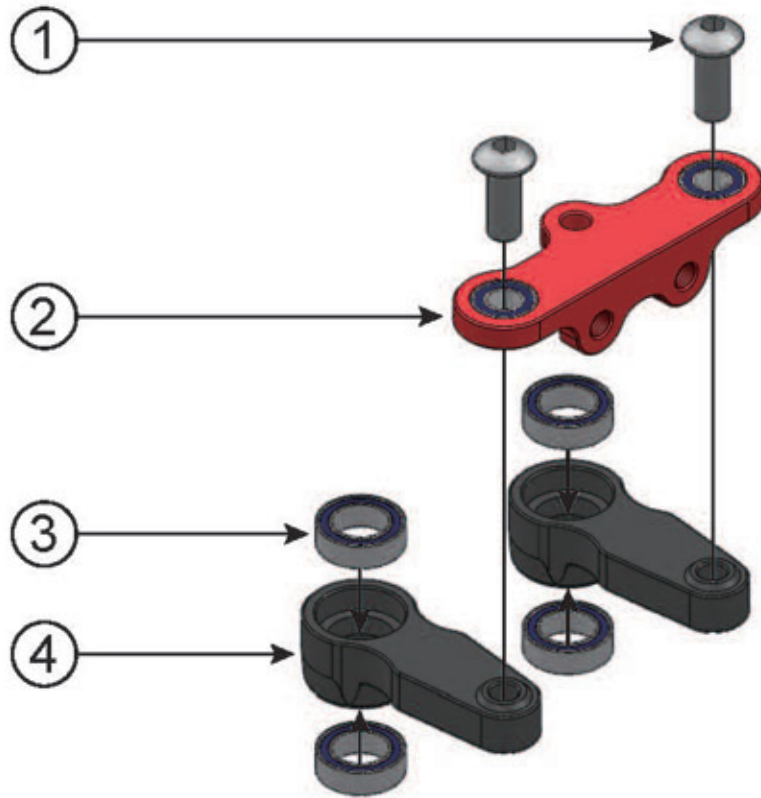
Parts List

1	Cap23017	4.9mm Ball End Med
2	Cap2107A	Ball Joint 4.9mm Open
3	Cap23032	Turnbuckle 3x35mm

Parts List

4	Cap23011	4.9mm Ball End Short
5	Cap23030	Turnbuckle 3x20mm

Made in Italy



Parts List		
1	Cap17032	3x8 round head screw(2pcs)
2	Cap22508	Steering Plate Alu
3	Cap16019	5X8X2.5mm Ball Bearing(4pcs)

Parts List		
4	Cap21060	Servo Horn Dual Steering Arm
5	Cap22017	3X5.5X3mm Alu Shims (2pcs)

Step 18.0

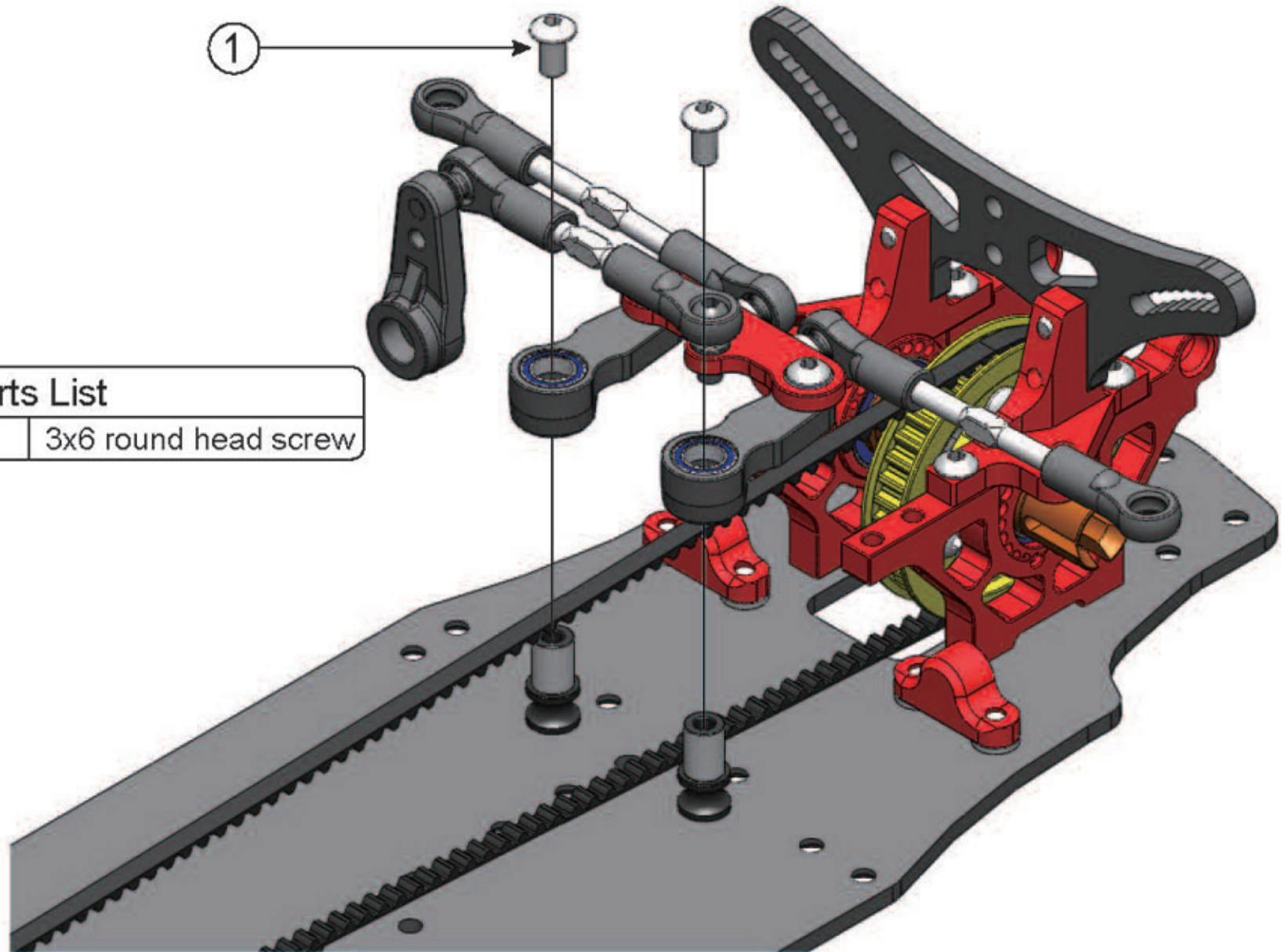
- Steering Rack -

Capricorn RC

①

Parts List

1	Cap17030	3x6 round head screw
---	----------	----------------------



Made in Italy

# Step 19.0

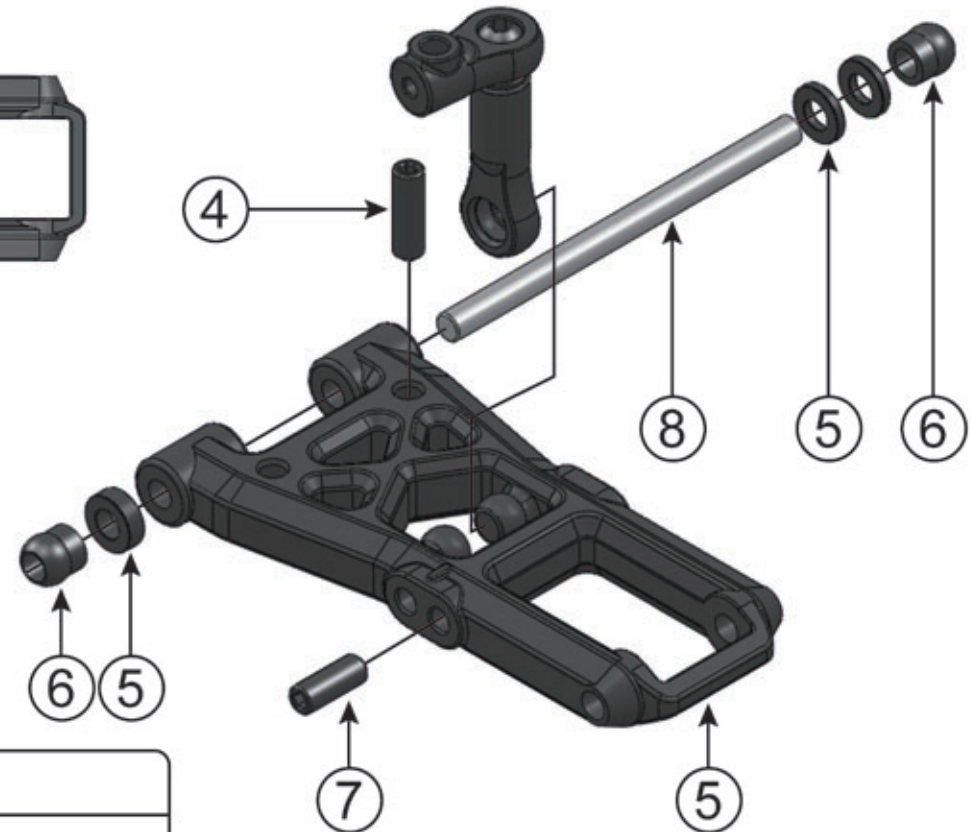
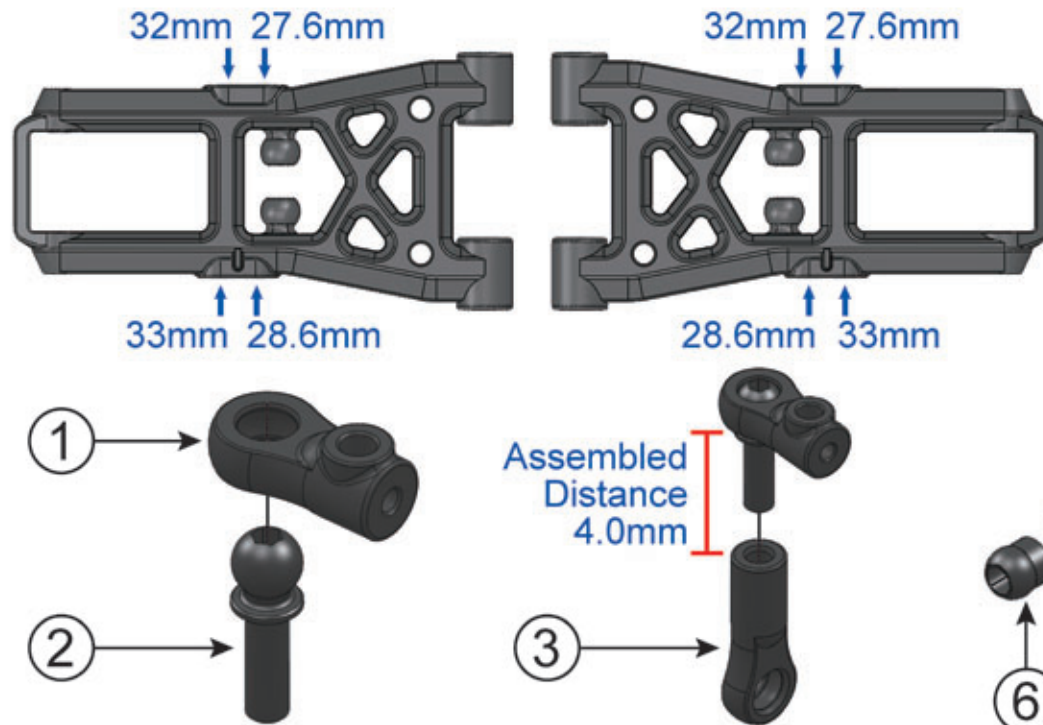
# - Front Arm -

# Capricorn RC

Front lower arms have 4 different shock positions.  
Make sure left and right sides are both symmetrical during assembly.

### Notice:

Please fix the plastic shim thickness thinner if suspension arm moving not free.



Parts List		
1	Cap2107C	Anti-Roll Bar Joint
2	Cap23012	4.9mm Ball End Long
3	Cap2107A	Ball Joint 4.9mm Open
4	Cap18022	3x10 screw set
5	Cap21100F	Low Arm Front with Shims

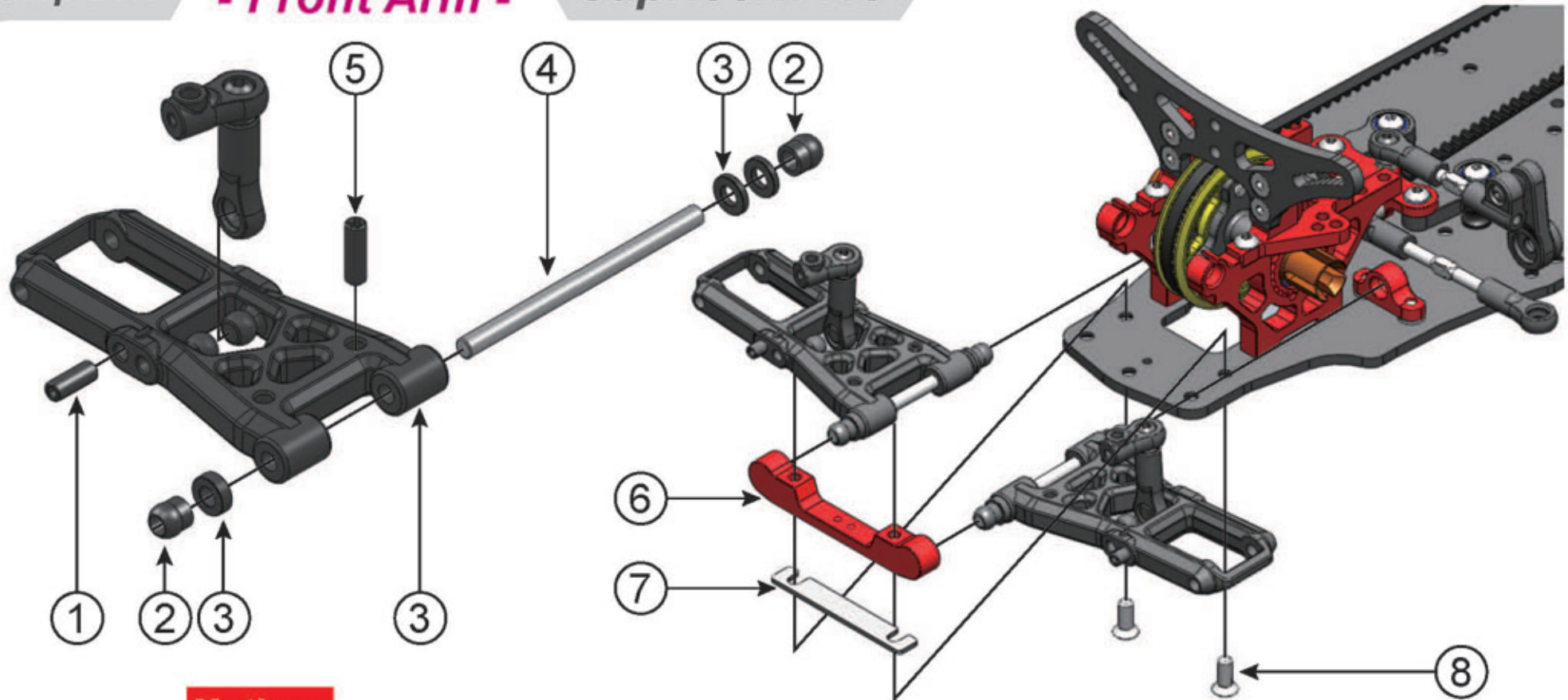
Parts List		
6	Cap23008	Ball 5mm(2pcs)
7	Cap17008	3x8 screw set
8	Cap23014	Pivot Pin Inner

Made in Italy

Step 20.0

- Front Arm -

Capricorn RC



**Notice:**

Please fix the plastic shim thickness thinner if suspension arm moving not free.

Parts List		
1	Cap17008	3x8 screw set
2	Cap23008	Ball 5mm(2pcs)
3	Cap21100F	Low Arm Front with Shims
4	Cap23014	Pivot Pin Inner

Parts List		
5	Cap18022	3x10 screw set
6	Cap22514	Suspension Alu Bracket #2
7	Cap23022	Roll Center Shim 1.0mm
8	Cap17031	3x8 flat head screw

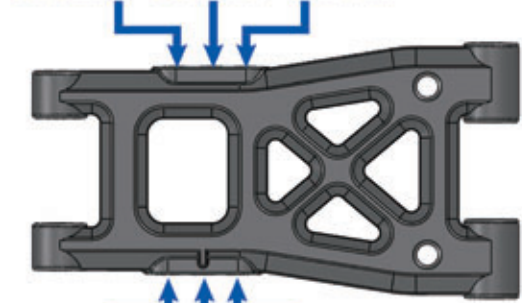
Made in Italy

Step 21.0

- Rear Arm -

Capricorn RC

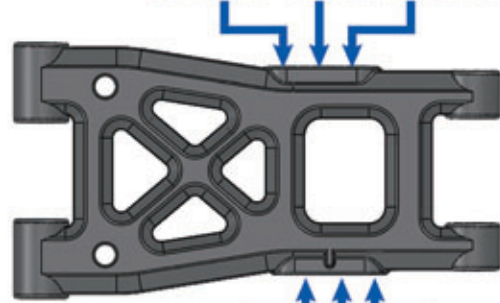
39.5mm 35.1mm 30.7mm



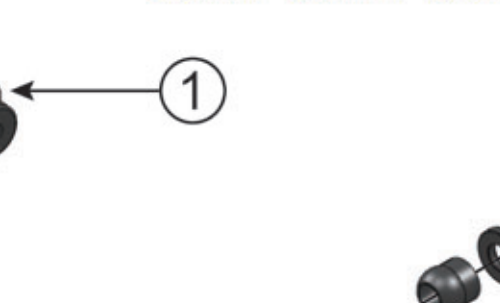
40.5mm 36.1mm 31.7mm



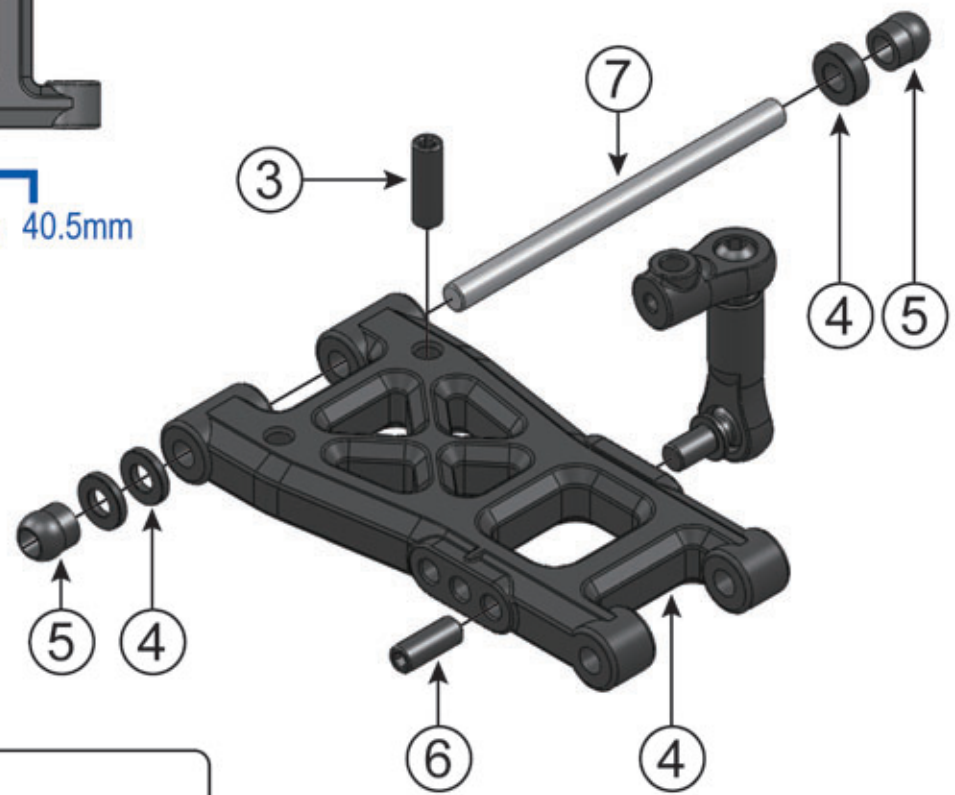
30.7mm 35.1mm 39.5mm



31.7mm 36.1mm 40.5mm



Rear lower arms have 6 different positions for shocks and anti-roll bars. Make sure left and right sides are symmetrical during assembly.



Parts List		
1	Cap23012	4.9mm Ball End Long
2	Cap23011	4.9mm Ball End Short
3	Cap18022	3x10 screw set
4	Cap21100R	Low Arm Rear with Shims

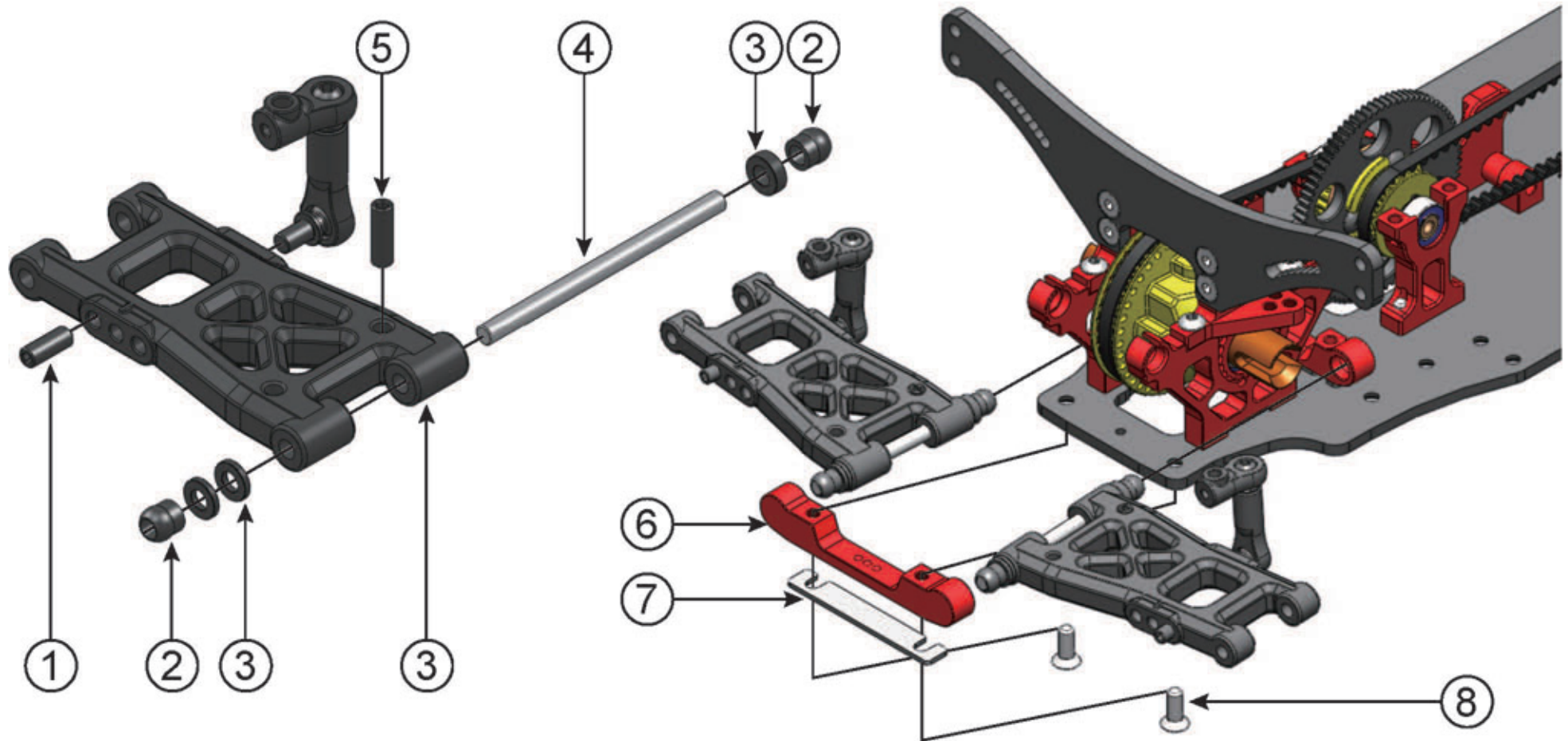
Parts List		
5	Cap23008	Ball 5mm(2pcs)
6	Cap17008	3x8 screw set
7	Cap23014	Pivot Pin Inner



Step 22.0

- Rear Arm -

Capricorn RC



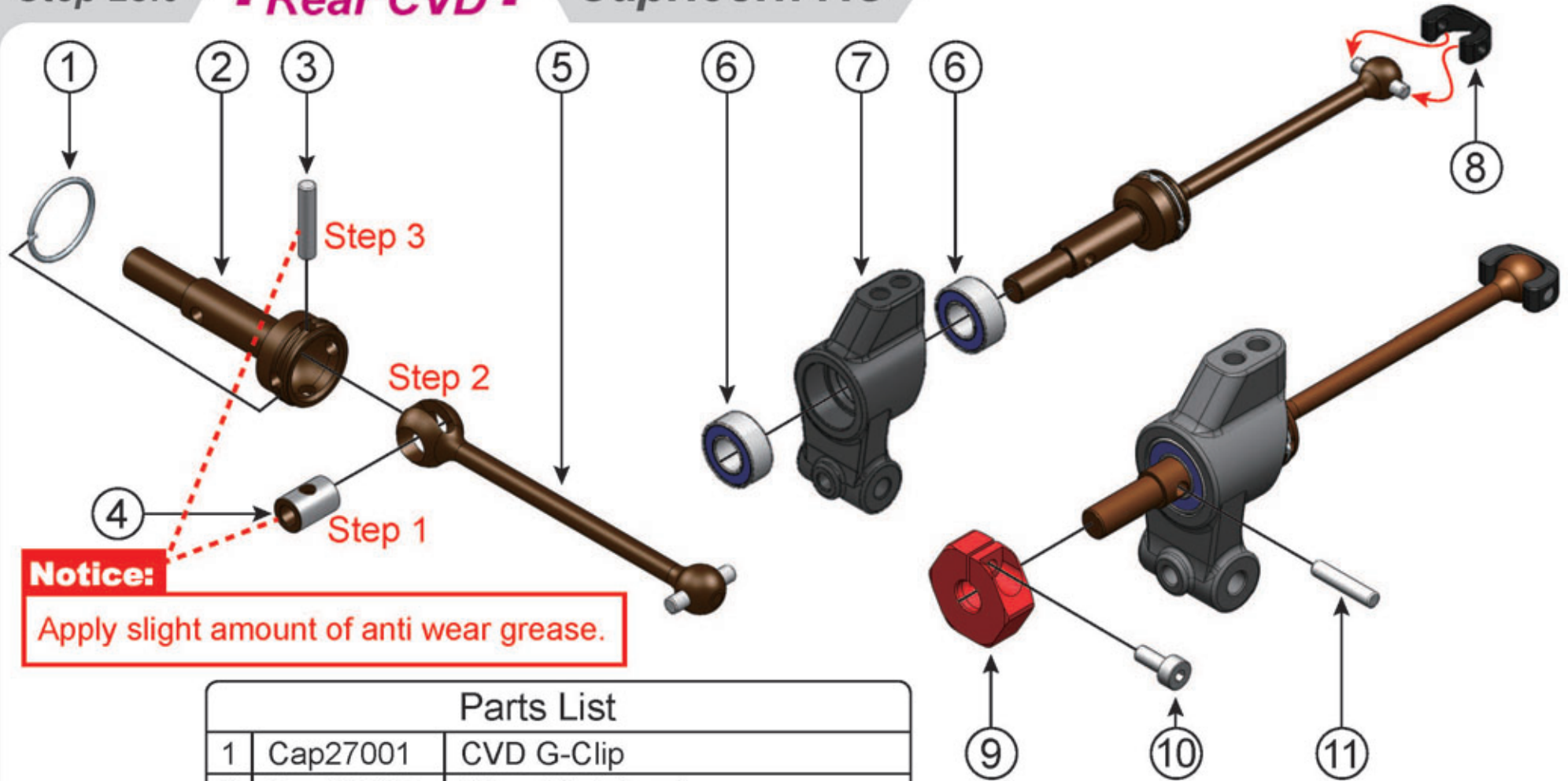
Parts List		
1	Cap17008	3x8 screw set
2	Cap23008	Ball 5mm(2pcs)
3	Cap21100R	Low Arm Rear with Shims
4	Cap23014	Pivot Pin Inner

Parts List		
5	Cap18022	3x10 screw set
6	Cap22516	Suspension Alu Bracket #3
7	Cap23022	Roll Center Shim 1.0mm
8	Cap17031	3x8 flat head screw

Made in Italy

Step 23.0

**- Rear CVD - Capricorn RC**



**Notice:**

Apply slight amount of anti wear grease.

Parts List		
1	Cap27001	CVD G-Clip
2	Cap23002	Wheel Axle(pcs)
3	Cap26102	2x10mm Pin
4	Cap23005	CVD Insert
5	Cap23003	CVD Rear 44mm
6	Cap418	5x10x4mm Ball Bearing (2pcs)
7	Cap21090	Steering Block / Rear Upright

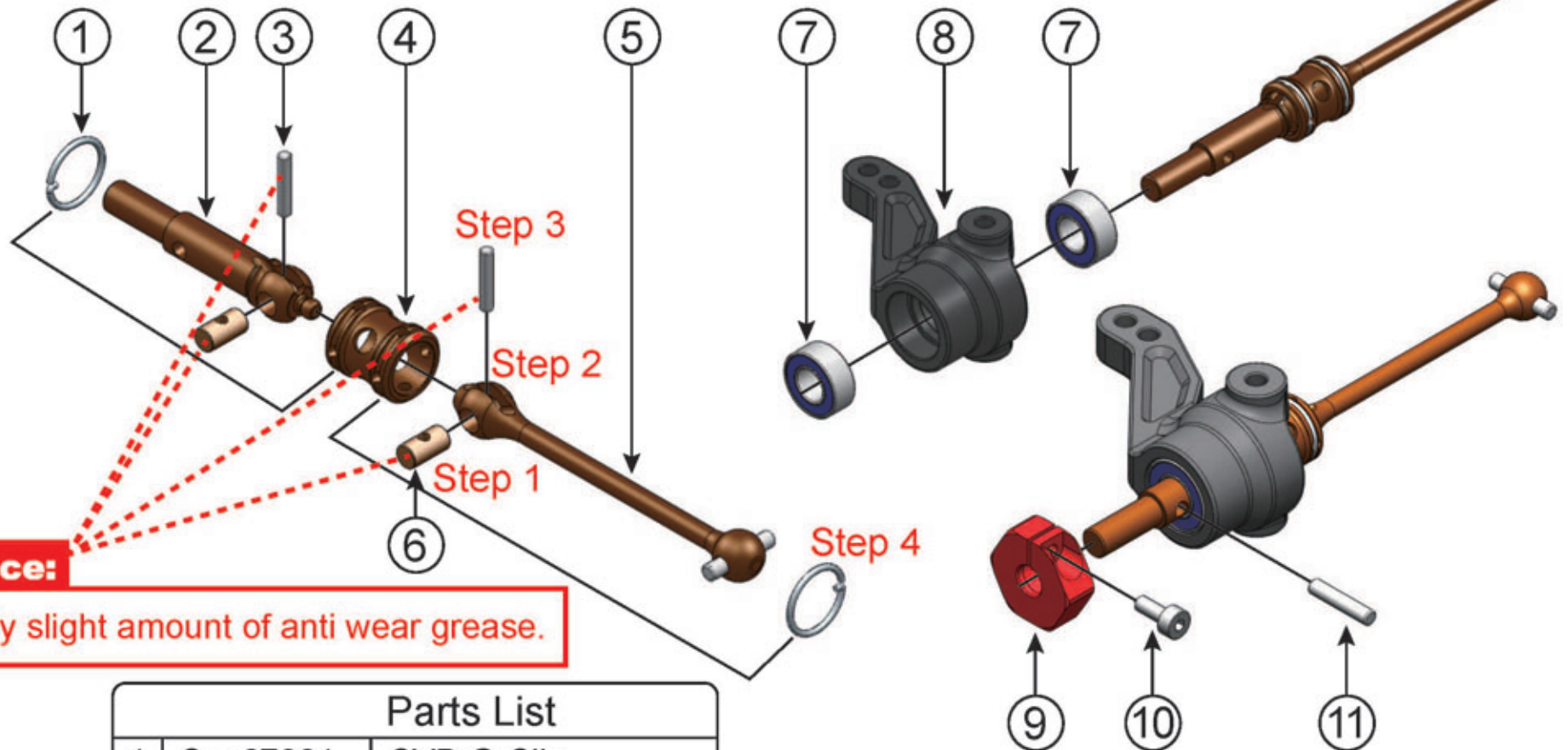
Parts List		
8	Cap21030	C cap2 3.5mm
9	Cap22005	Hex Wheel Hub aul
10	Cap18023	2x5 round head screw
11	Cap17015	2x9.8mm Pin

Made in Italy

Step 24.0

**- D.J CVD -**

**Capricorn RC**



**Notice:**

Apply slight amount of anti wear grease.

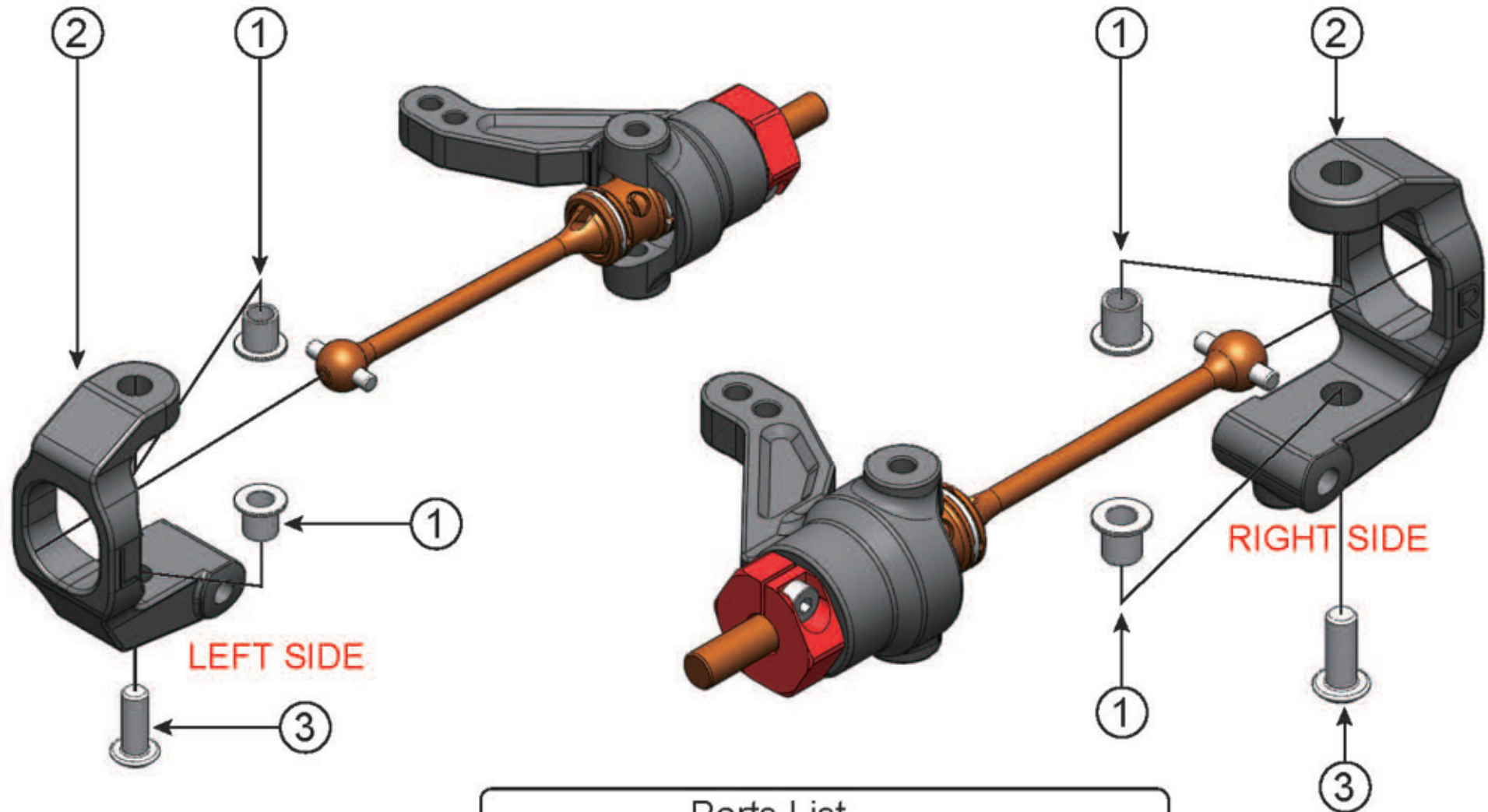
Parts List		
1	Cap27001	CVD G-Clip
2	Cap23101	D.J CVD Front Wheel Shaft
3	Cap26102	2x10mm Pin
4	Cap23104	D.J CVD Joint
5	Cap23102	D.J CVD Shaft
6	Cap23103	D.J CVD Insert

Parts List		
7	Cap418	5x10x4mm Ball Bearing (2pcs)
8	Cap21091	Steering Block Front upring
9	Cap22005	Hex Wheel Hub aul
10	Cap17032	3x8 round head screw
11	Cap17015	2x9.8mm Pin

Made in Italy

Step 25.0

# - Steering Block - Capricorn RC



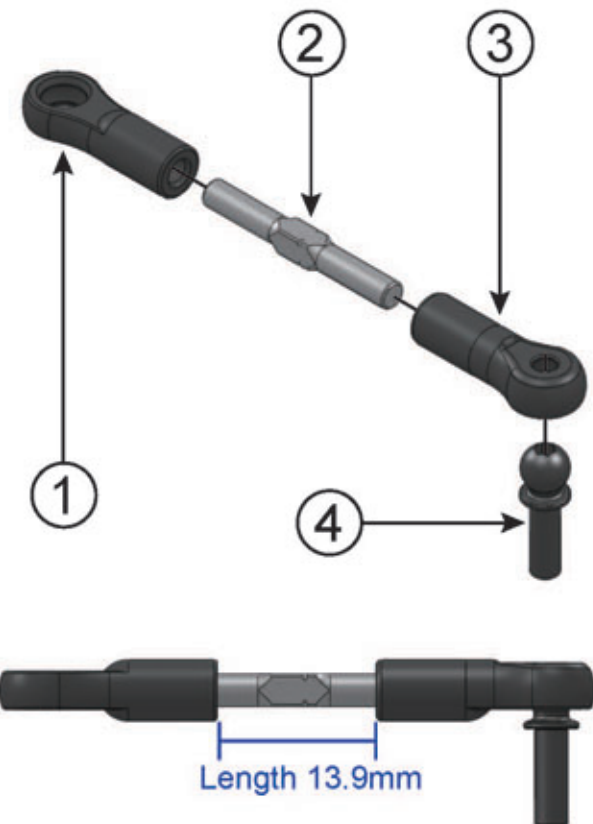
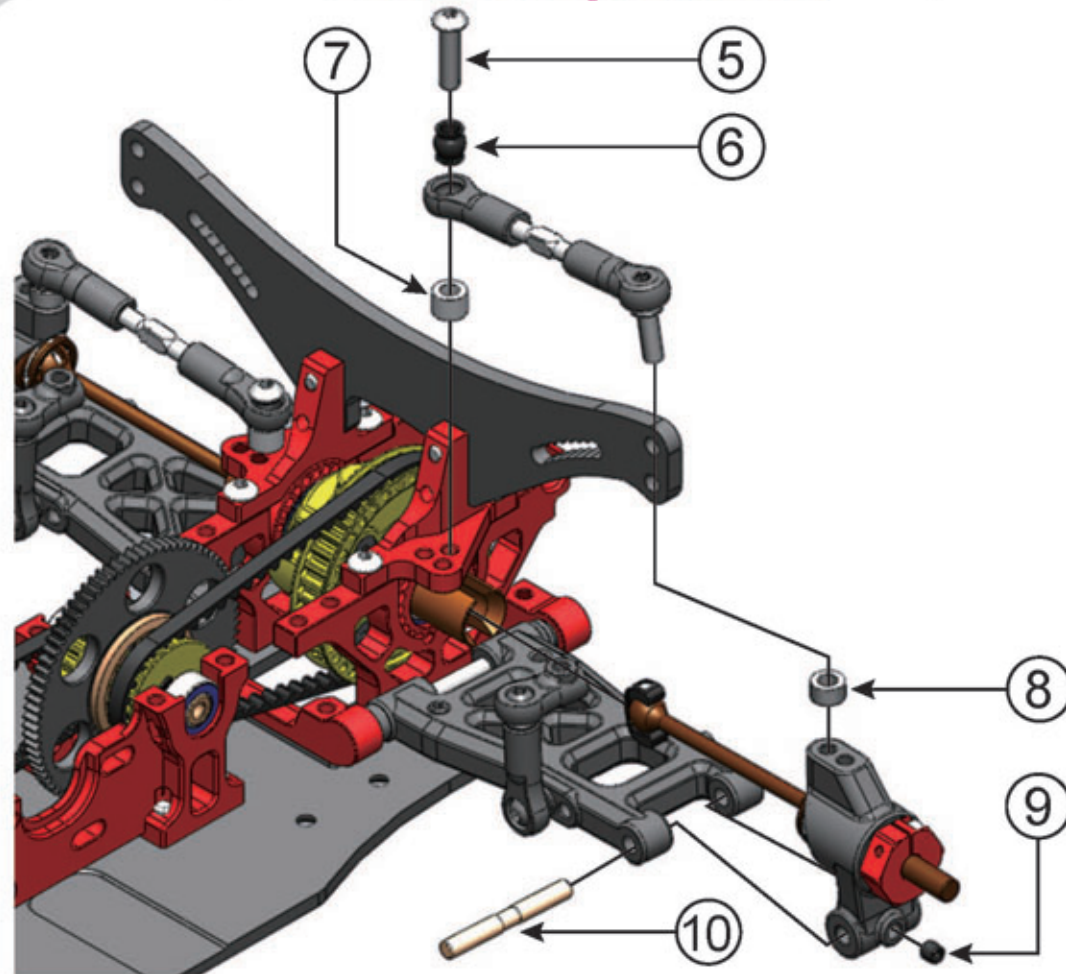
Parts List		
1	Cap23007	Steering Block Bushing(4pcs)
2	Cap21080	C-Hub 4 Right -Left
3	Cap17032	3x8 round head screw

Made in Italy

Step 26.0

**- Rear Suspension -**

**Capricorn RC**



Parts List		
1	Cap2107A	Ball Joint 4.9mm Open
2	Cap23031	Turnbuckle 3x25mm
3	Cap2107B	Ball Joint 4.9mm Closed
4	Cap23012	4.9mm Ball End Long

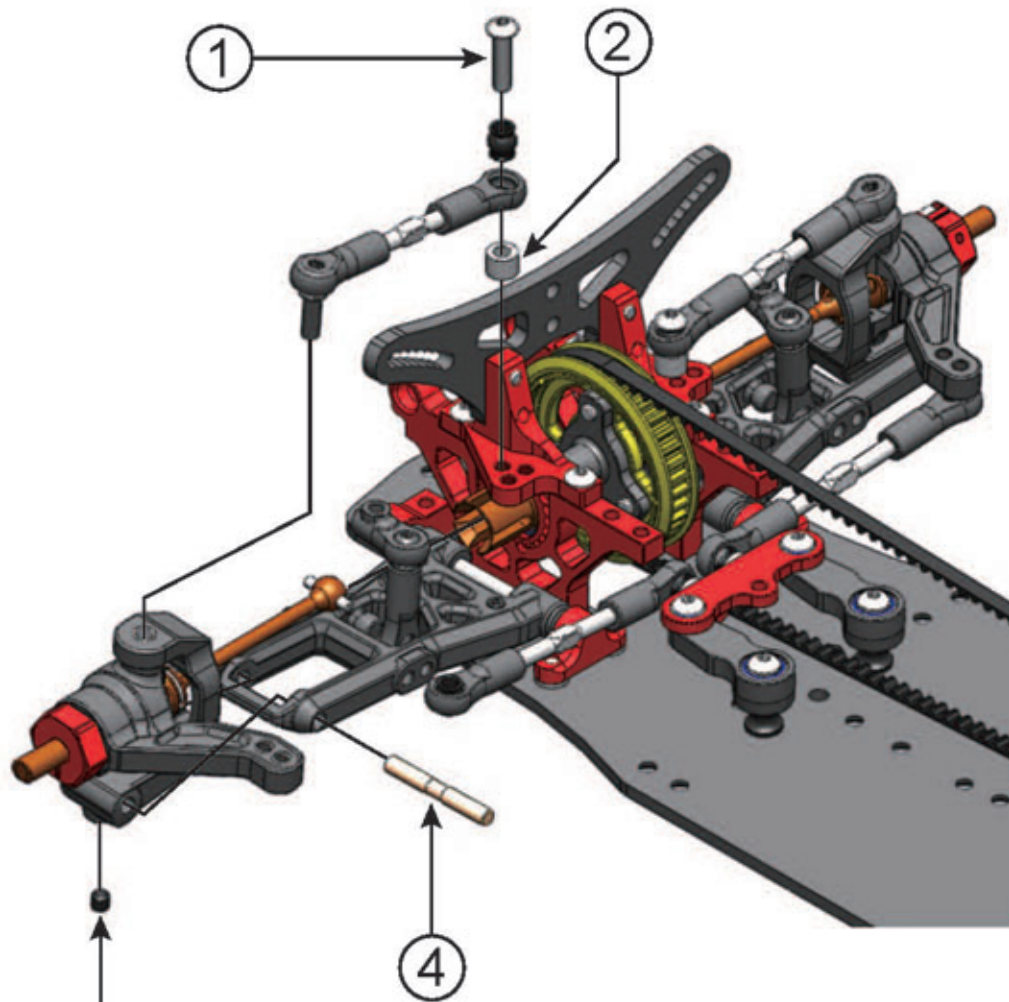
Parts List		
5	Cap18024	3x14 round head screw
6	Cap23010	4.9mm Ball End Open
7	Cap22018	3x5.5x4mm Alu Shims
8	Cap22017	3x5.5x3mm Alu Shims
9	Cap17006	3x3 screw set
10	Cap23016	Pivot Pin Rear-Out

Made in Italy

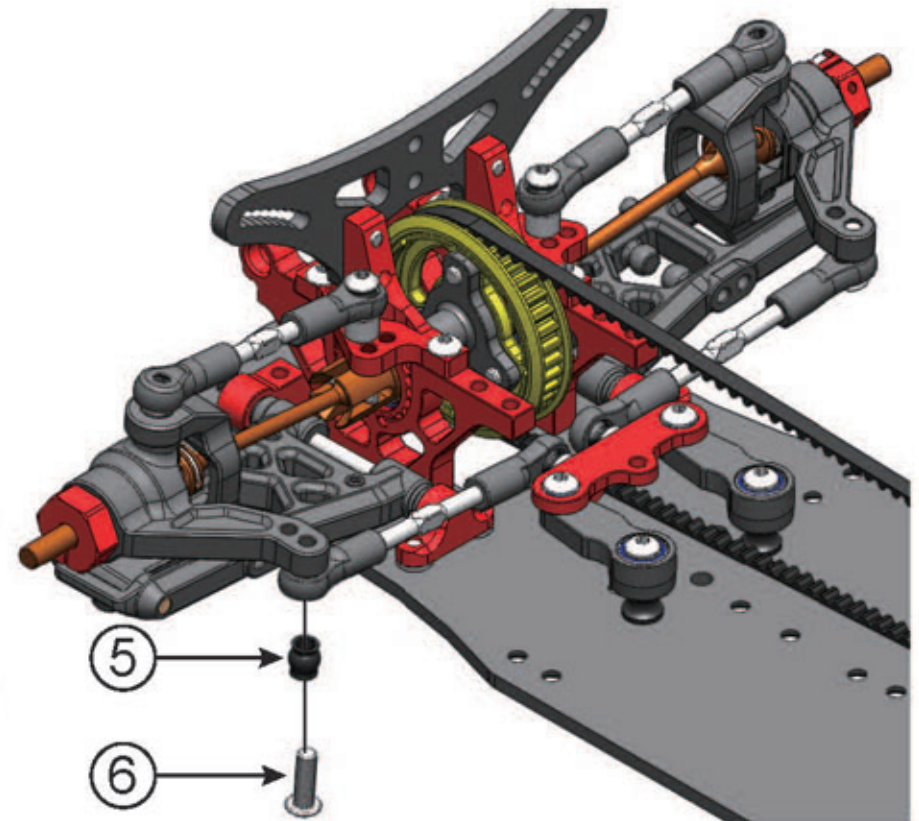
Step 27.0

# - Steering Block -

Capricorn RC



Parts List		
1	Cap18024	3x14 round head screw
2	Cap22018	3x5.5x4mm Alu Shims
3	Cap17006	3x3 screw set



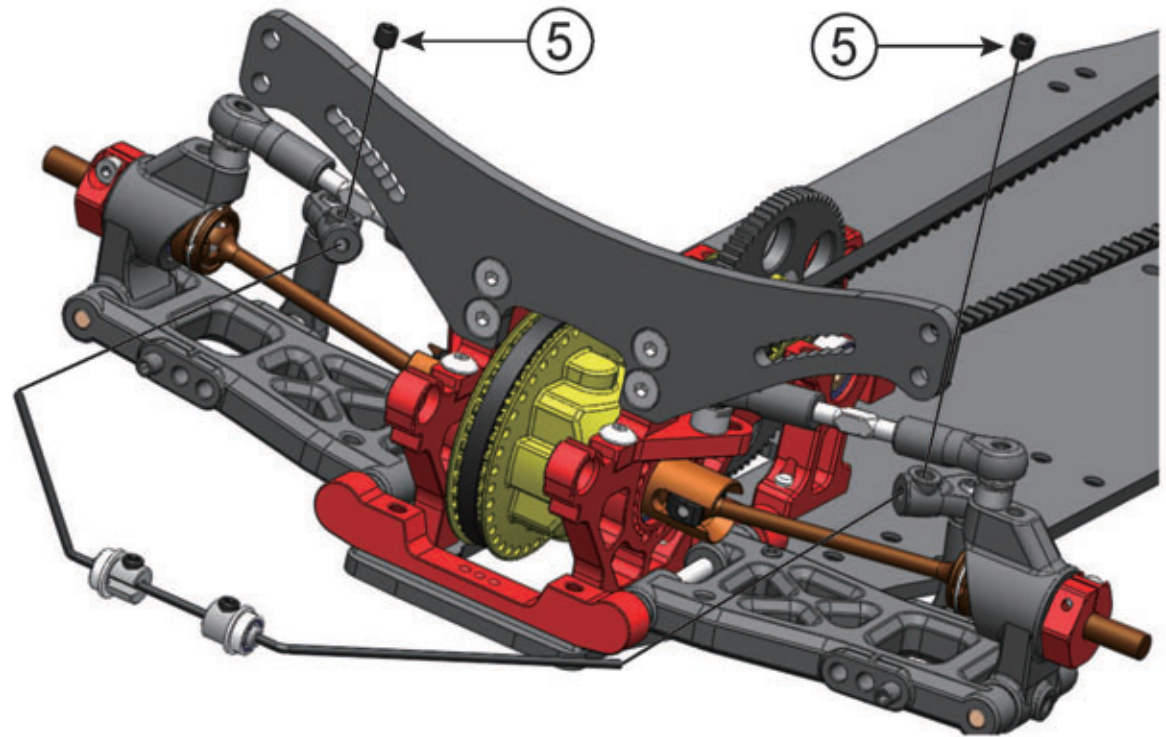
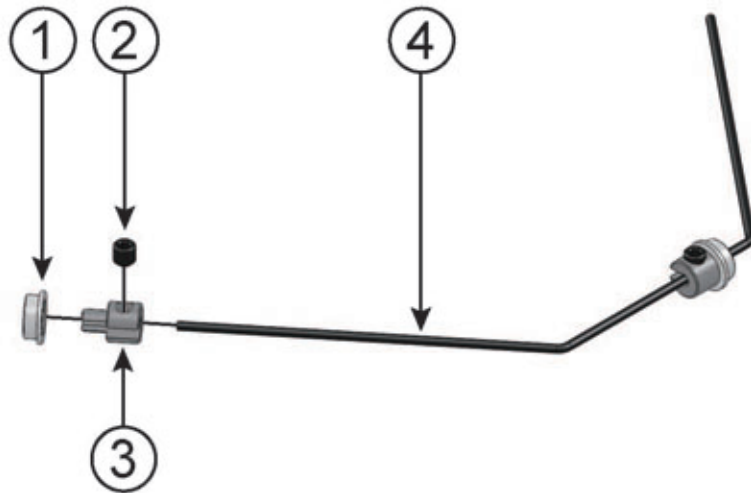
Parts List		
4	Cap23015	Pivot Pin Front-Out
5	Cap23010	4.9mm Ball End Open
6	Cap17023	3x10 round head screw

Made in Italy

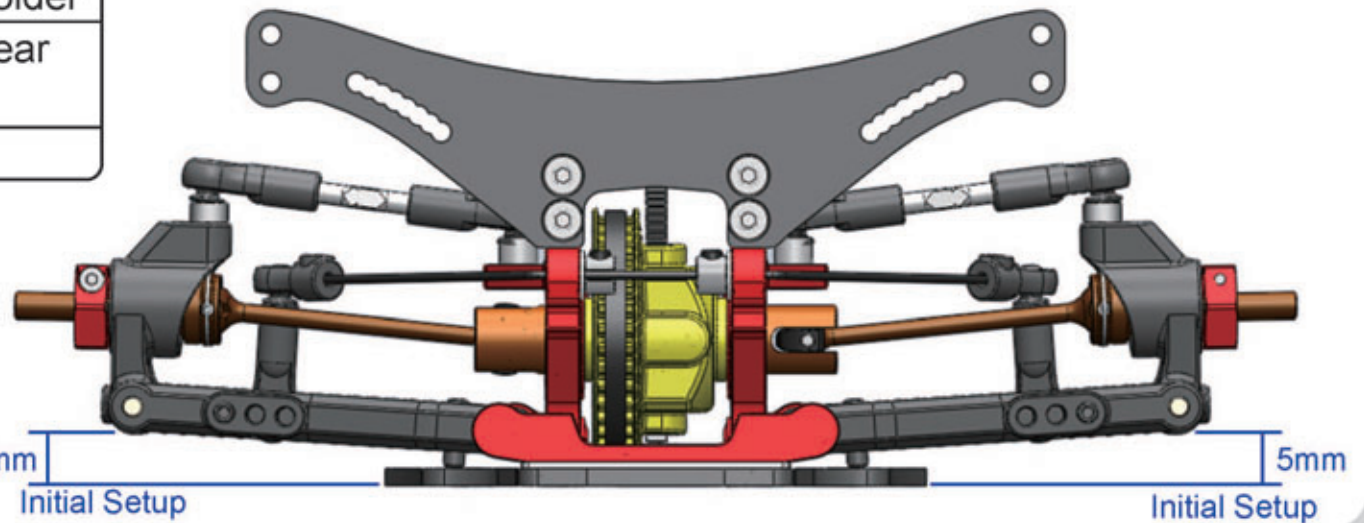
Step 28.0

**- Anti Roll Bar -**

Capricorn RC



Parts List		
1	Cap2013	3x6x2.5 Flanged
2	Cap17006	3x3 screw
3	Cap20006	Anti-Roll Bar Holder
4	Cap27013	Anti-Roll Bar Rear 1.4mm (Black)
5	Cap17006	3x3 screw set

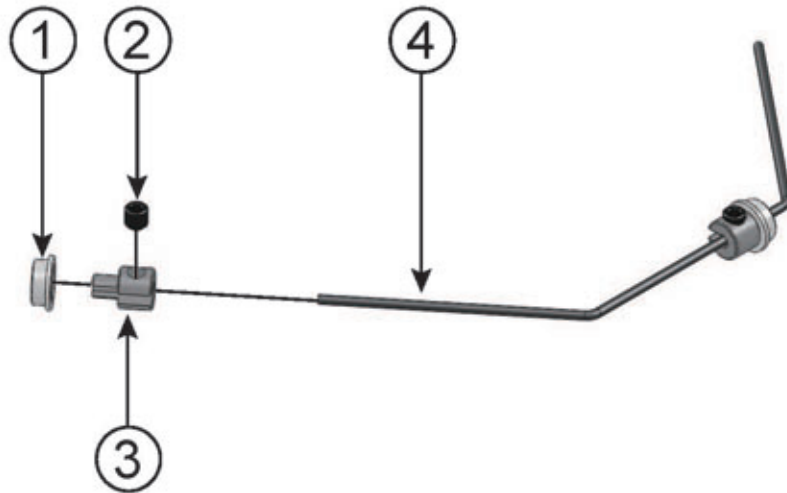


Made in Italy

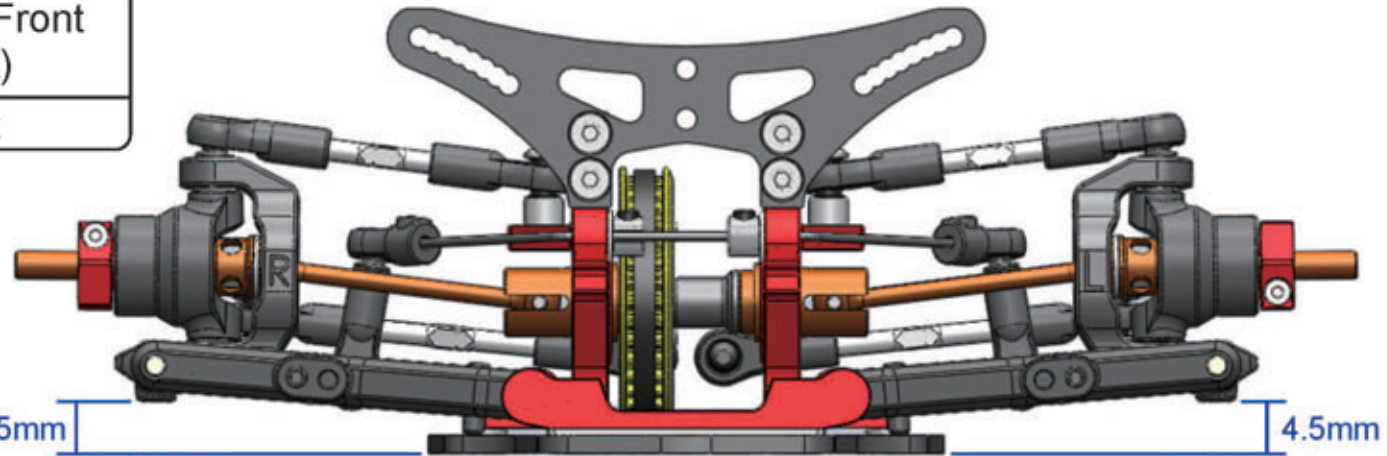
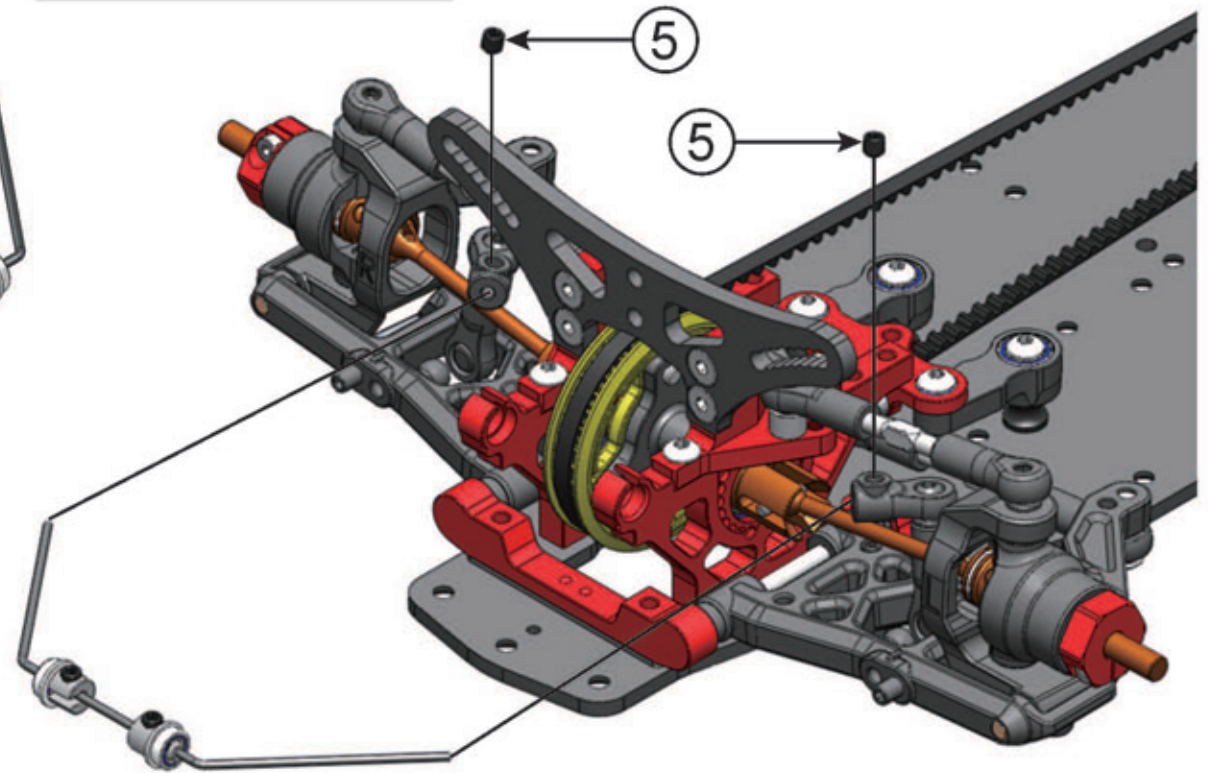
Step 29.0

**- Anti Roll Bar -**

Capricorn RC



Parts List		
1	Cap2013	3x6x2.5 Flanged
2	Cap17006	3x3 screw
3	Cap20006	Anti-Roll Bar Holder
4	Cap27012	Anti-Roll Bar Front 1.4mm (Black)
5	Cap17006	3x3 screw set



4.5mm  
Initial Setup

4.5mm  
Initial Setup

Made in Italy



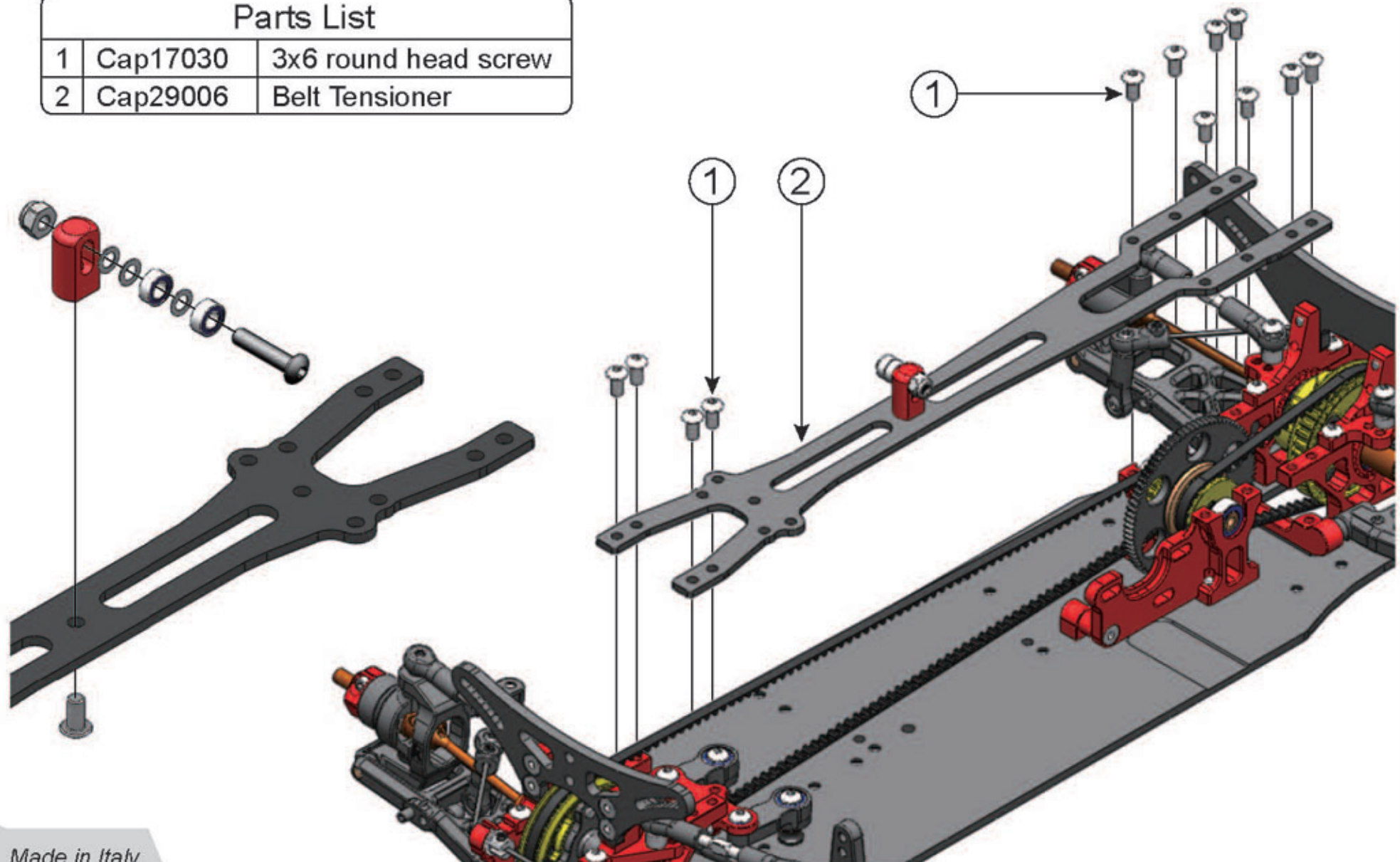
Step 30.0

- Upper Deck -

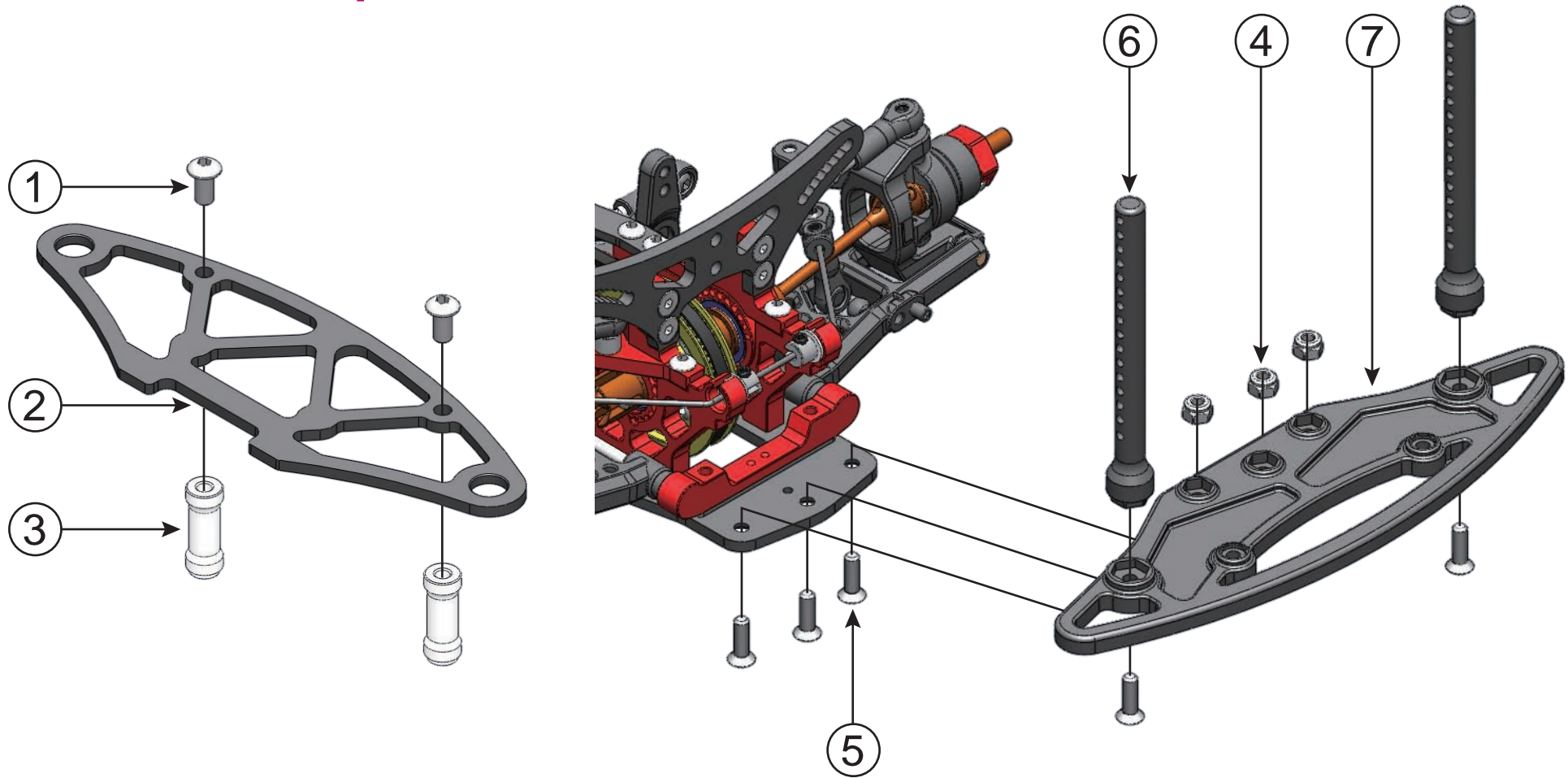
Capricorn RC

Parts List

1	Cap17030	3x6 round head screw
2	Cap29006	Belt Tensioner

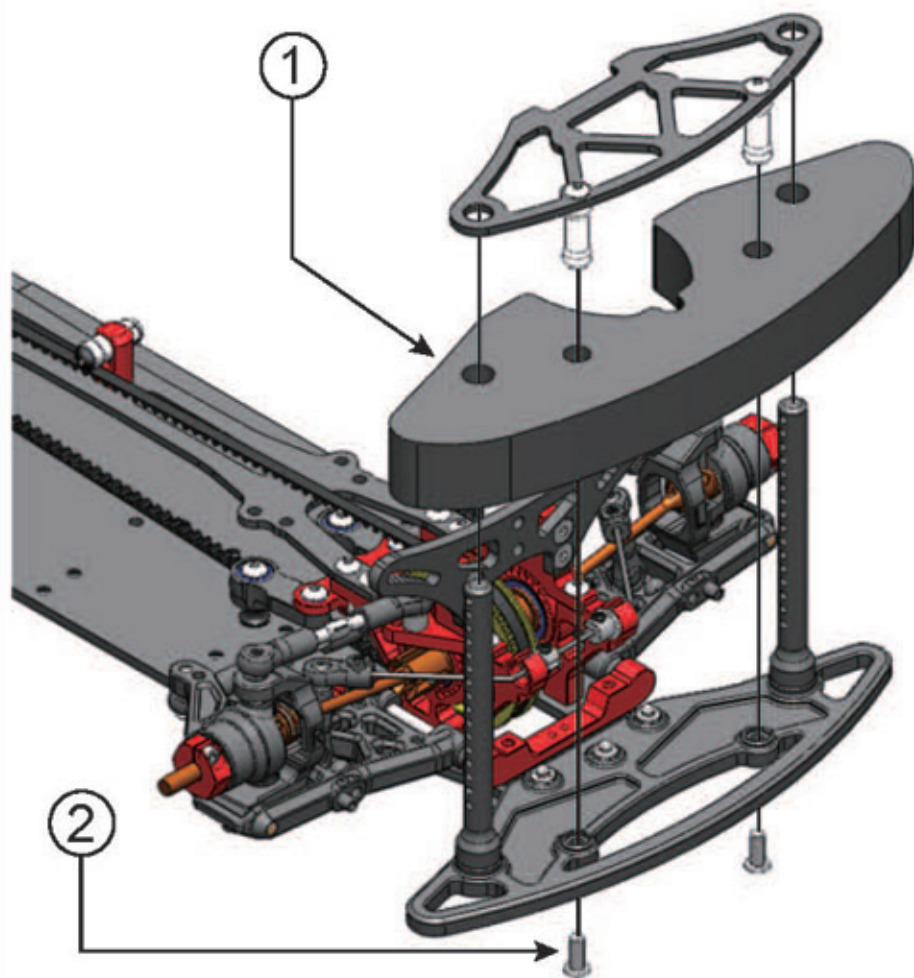


Made in Italy

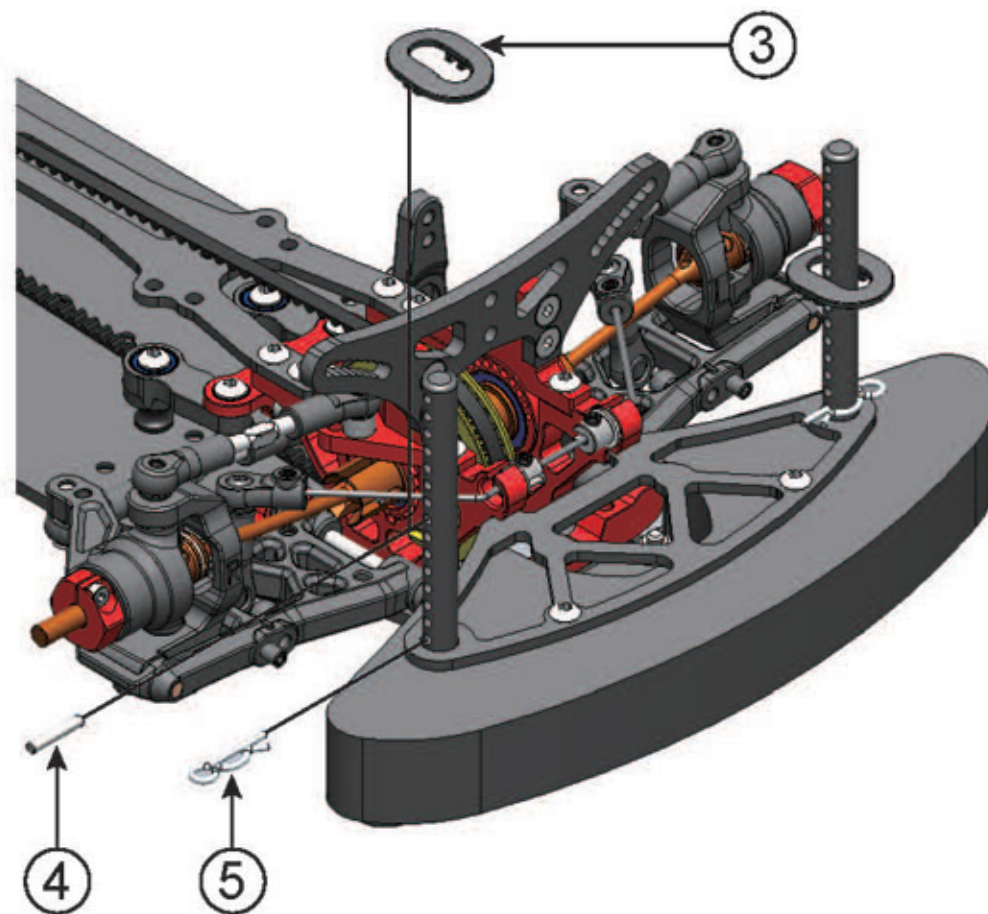


Parts List		
1	Cap17030	3x6 round head screw
2	Cap21049	Carbon Upper Bumper Plate
3	Cap21051	Bumper Column

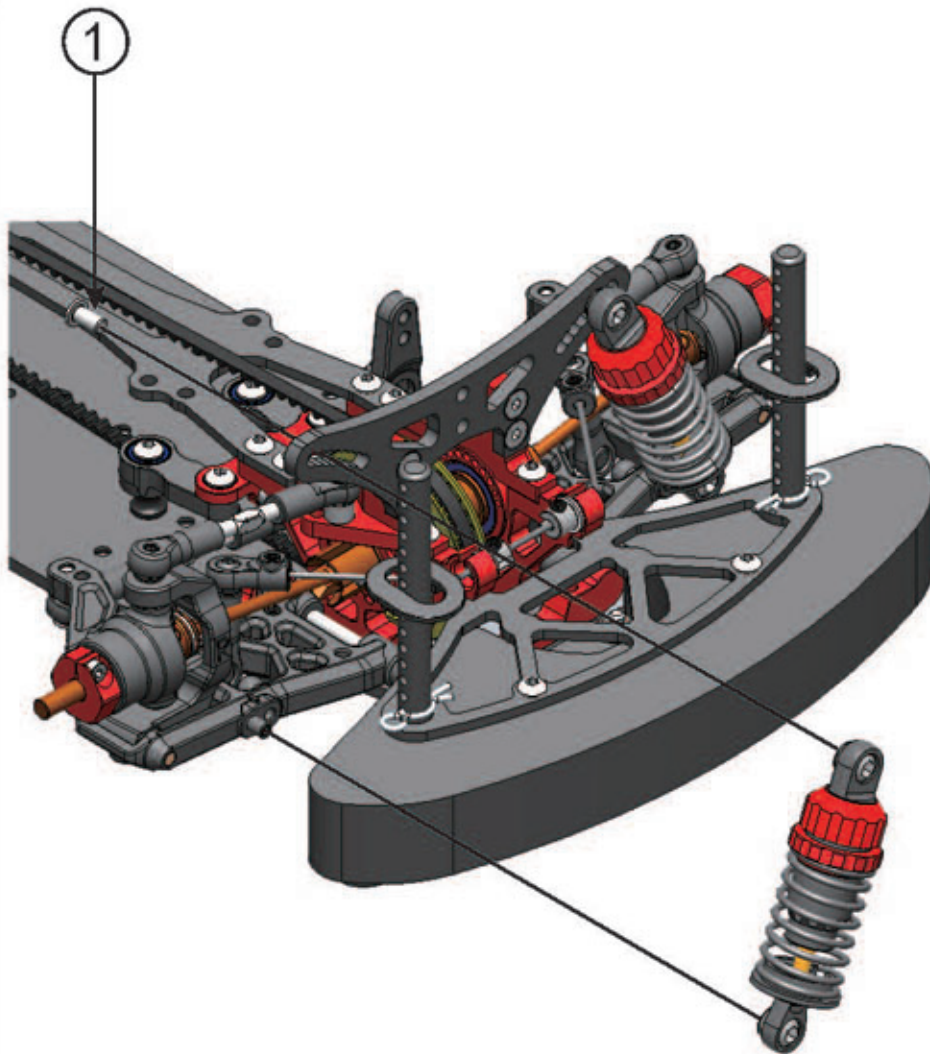
Parts List		
4	Cap1740	Nylon Nut
5	Cap17027	3x10 flat head screw(5pcs)
6	Cap15012	Body Column Set
7	Cap21050	Plastic Bumper Plate



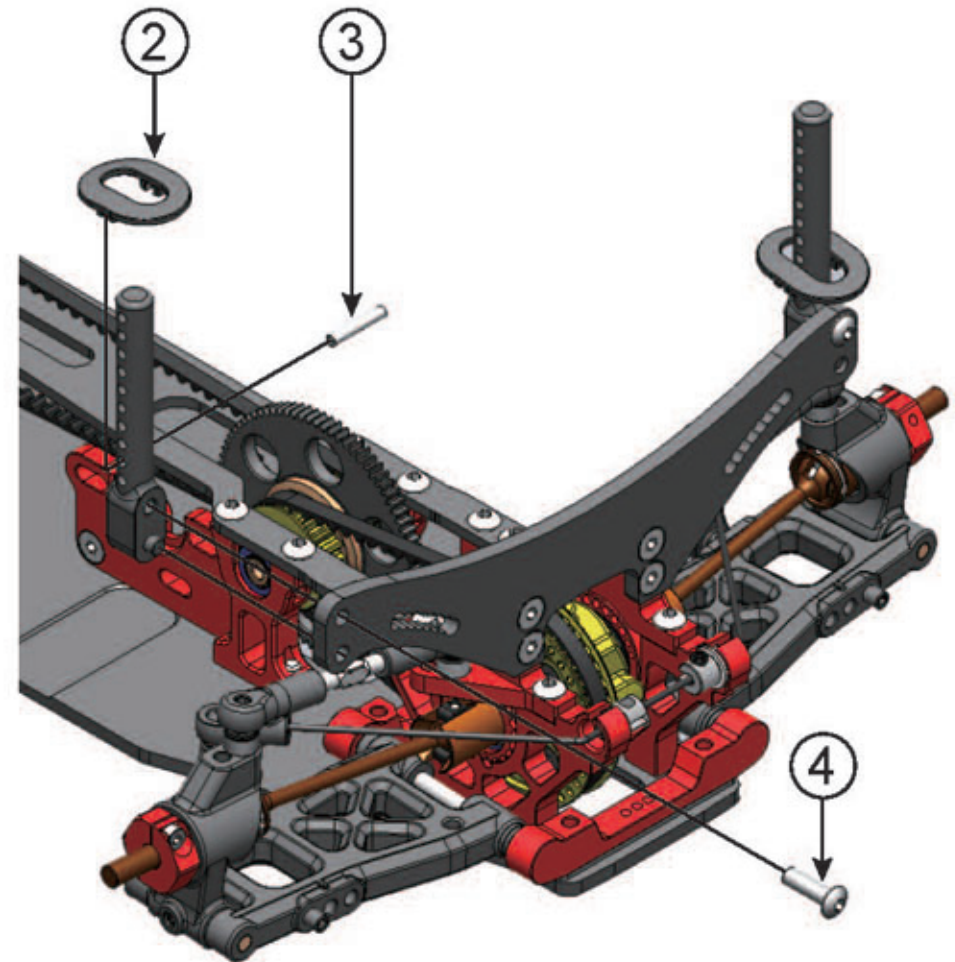
Parts List		
1	Cap24010	Bumper Foam
2	Cap17032	3x8 round head screw



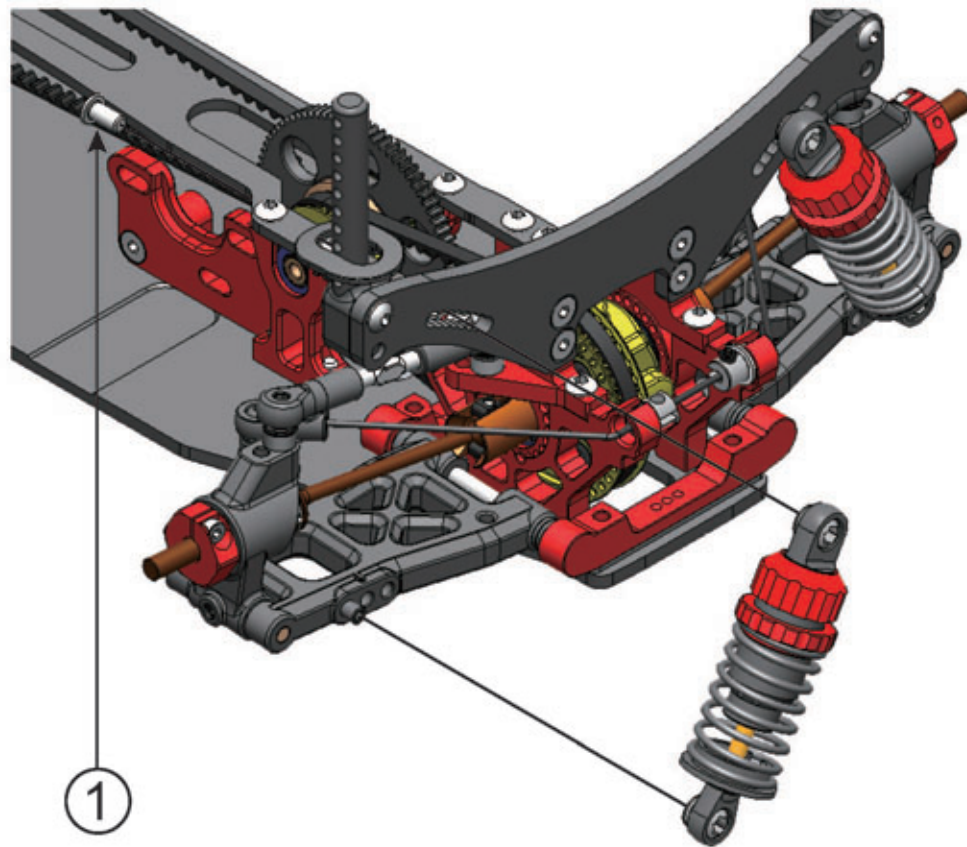
Parts List		
3	Cap15012	Body Column Set
4	Cap17016	2x11.8mm Pin
5	Cap27002	R-Clip



Parts List		
1	Cap17030	3x6 round head screw

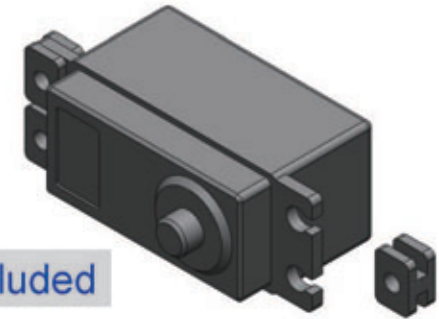


Parts List		
2	Cap15012	Body Column Set
3	Cap17016	2x11.8mm Pin
4	Cap17023	3x10 round head screw

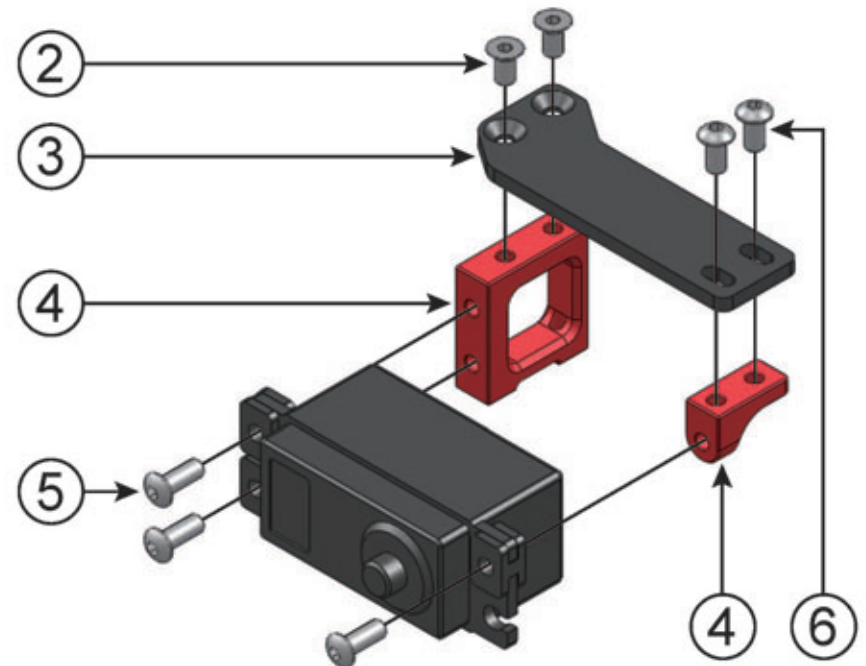


**Notice:**

It is recommended to use servo mount rubber.



Not Included

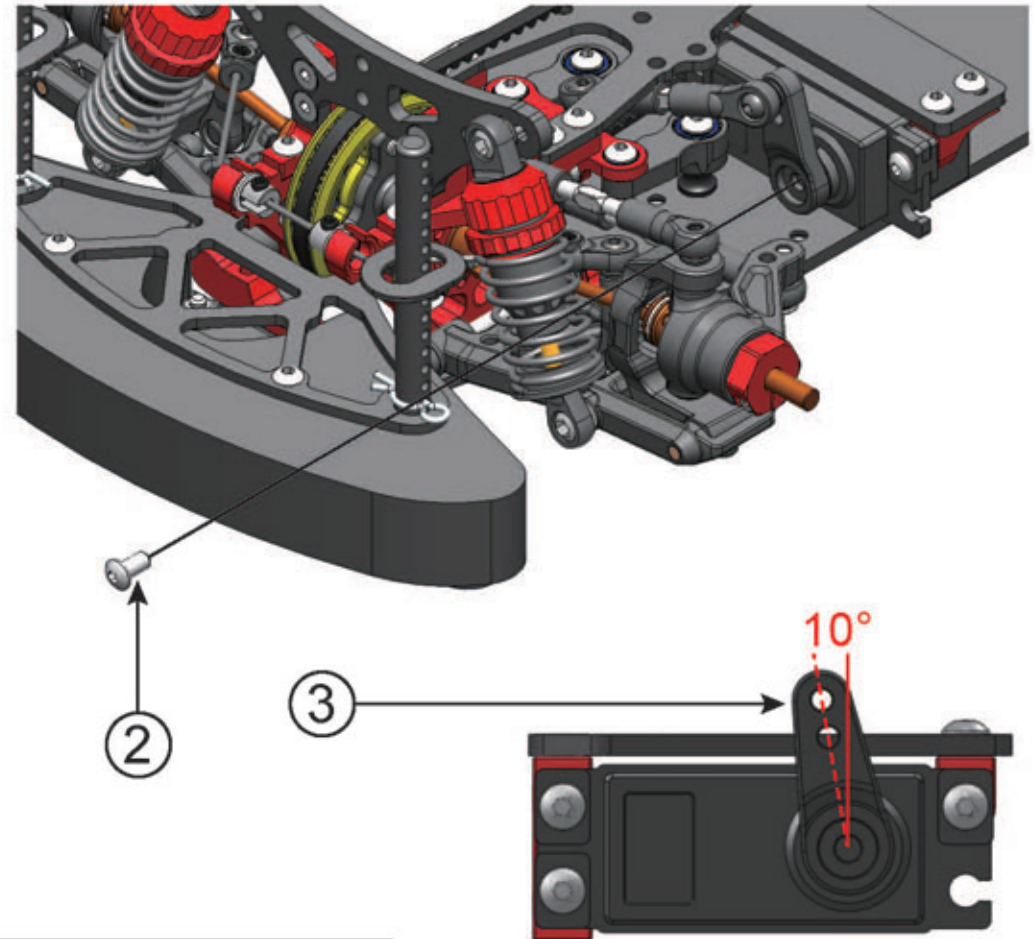
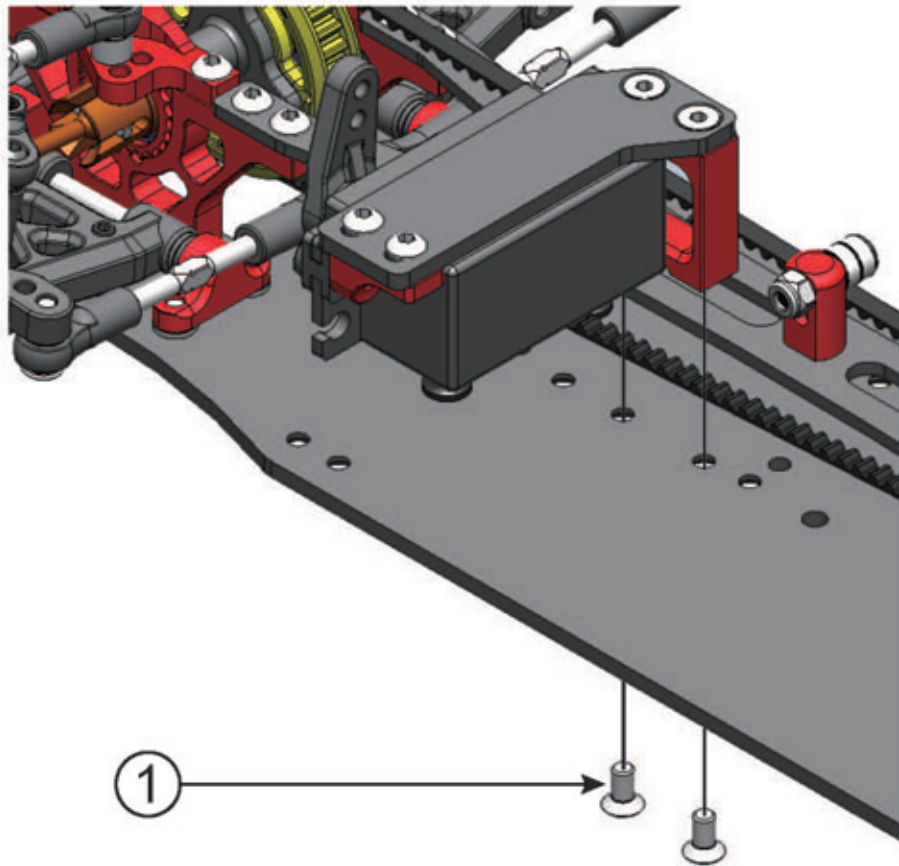


Parts List

1	Cap17030	3x6 round head screw
2	Cap17029	3x6 flat head screw
3	Cap29013	Carbon servo plate
4	Cap29014	Floating servo plate

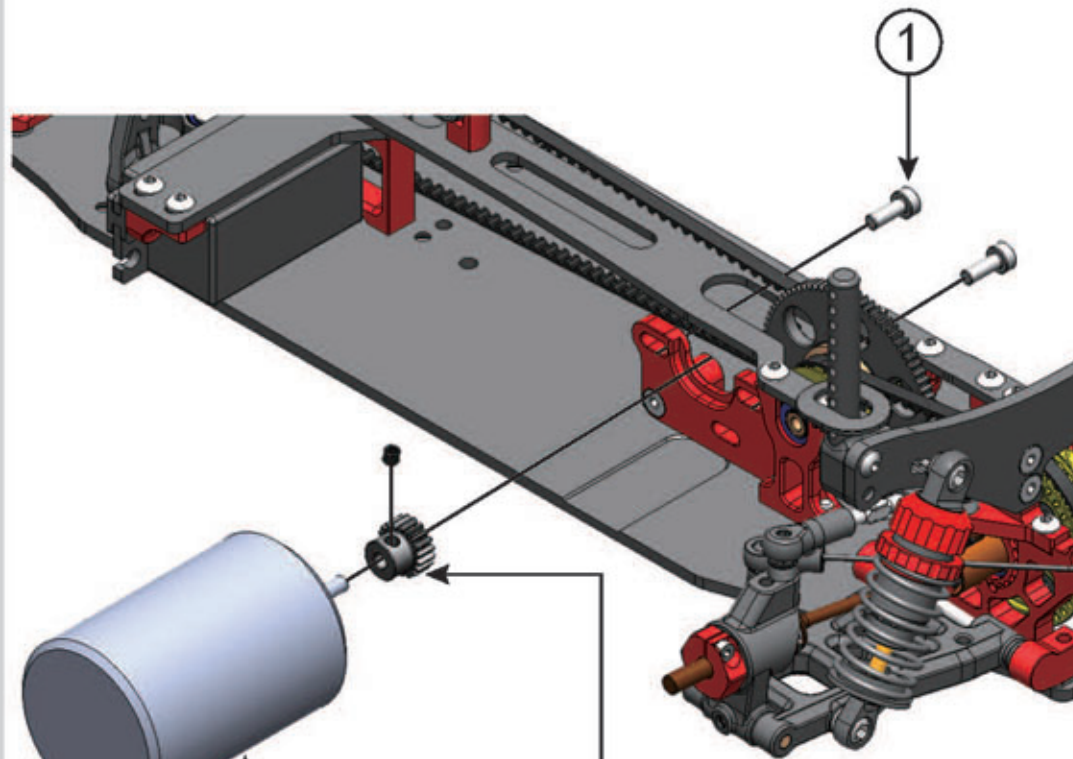
Parts List

5	Cap17032	3x8 round head screw
6	Cap17030	3x6 round head screw



## Parts List

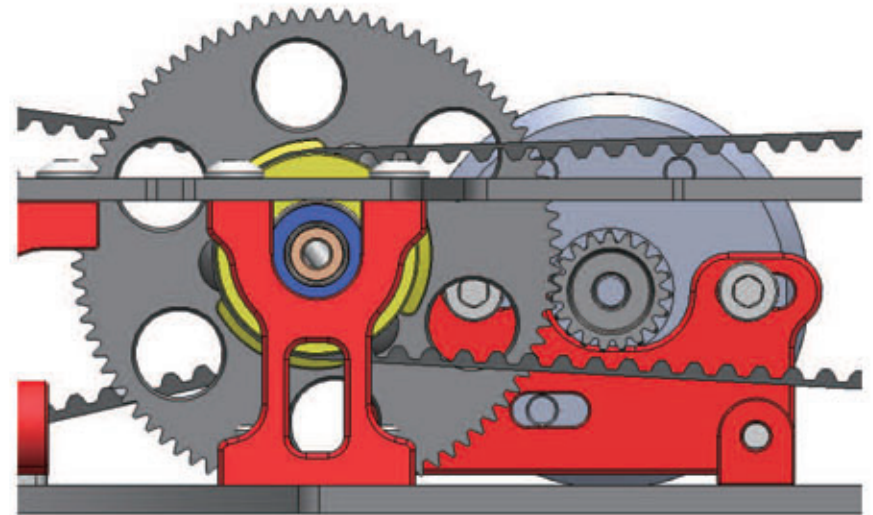
1	Cap17029	3x6 flat head screw
2	Cap17030	3x6 round head screw
3	Cap21060	Servo Horn Dual Steering Arm



Brushless Motor  
(Not Included)

Motor Pinion 64DP  
(Not included)

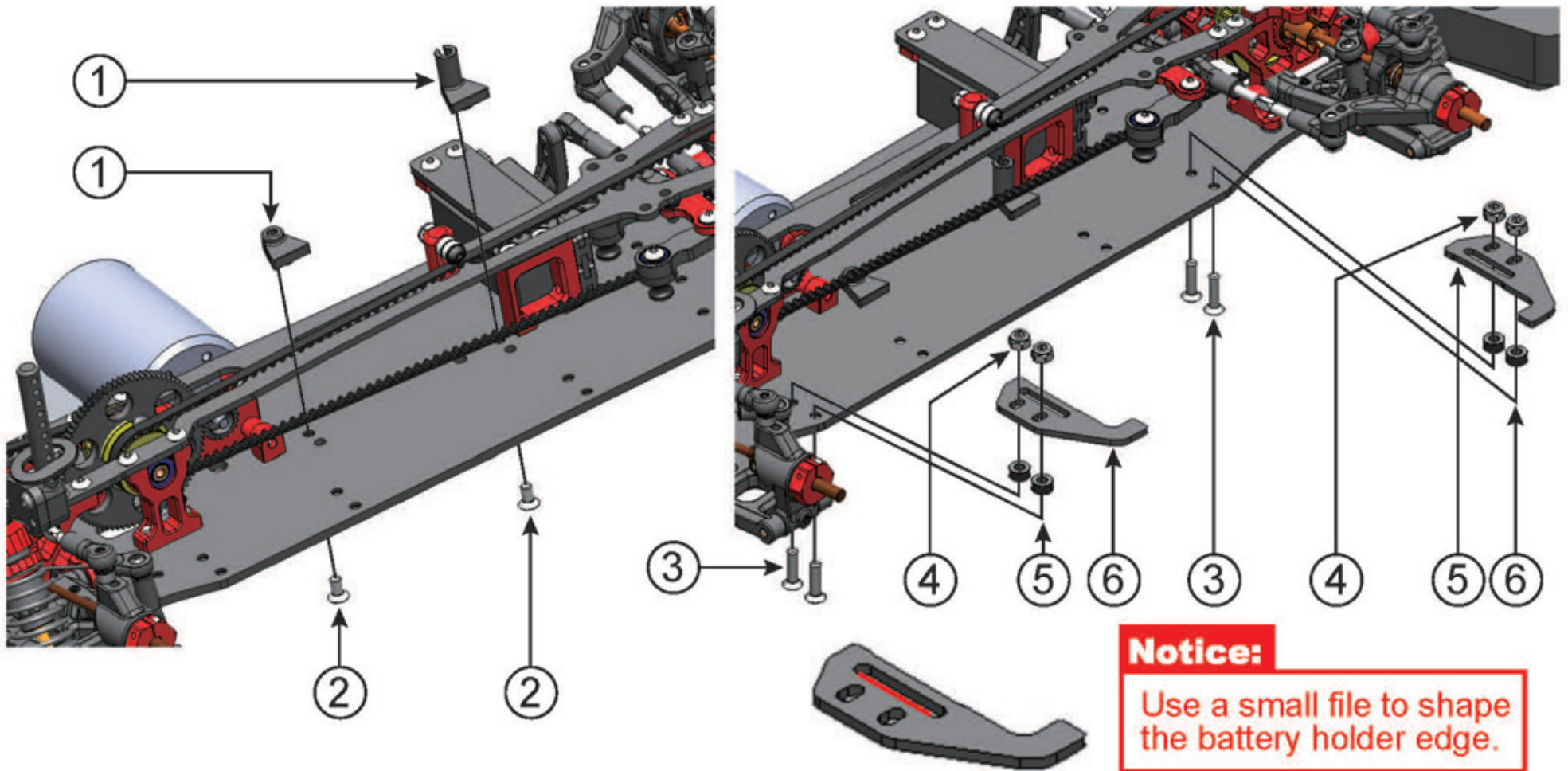
Gear mesh should have a minimal amount of play between spur and pinion.



**Notice:**

A gear mesh that is too tight will put extra strain on the spur gear.  
A gear mesh that is too loose will strip the spur.

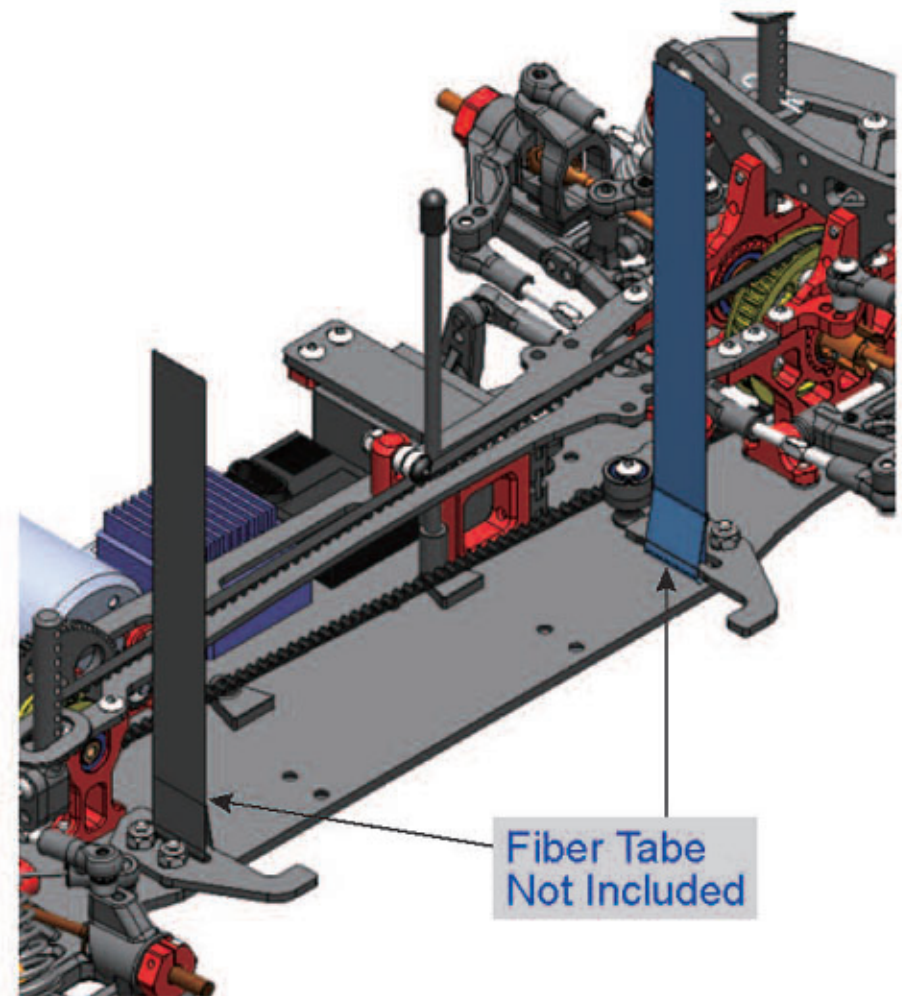
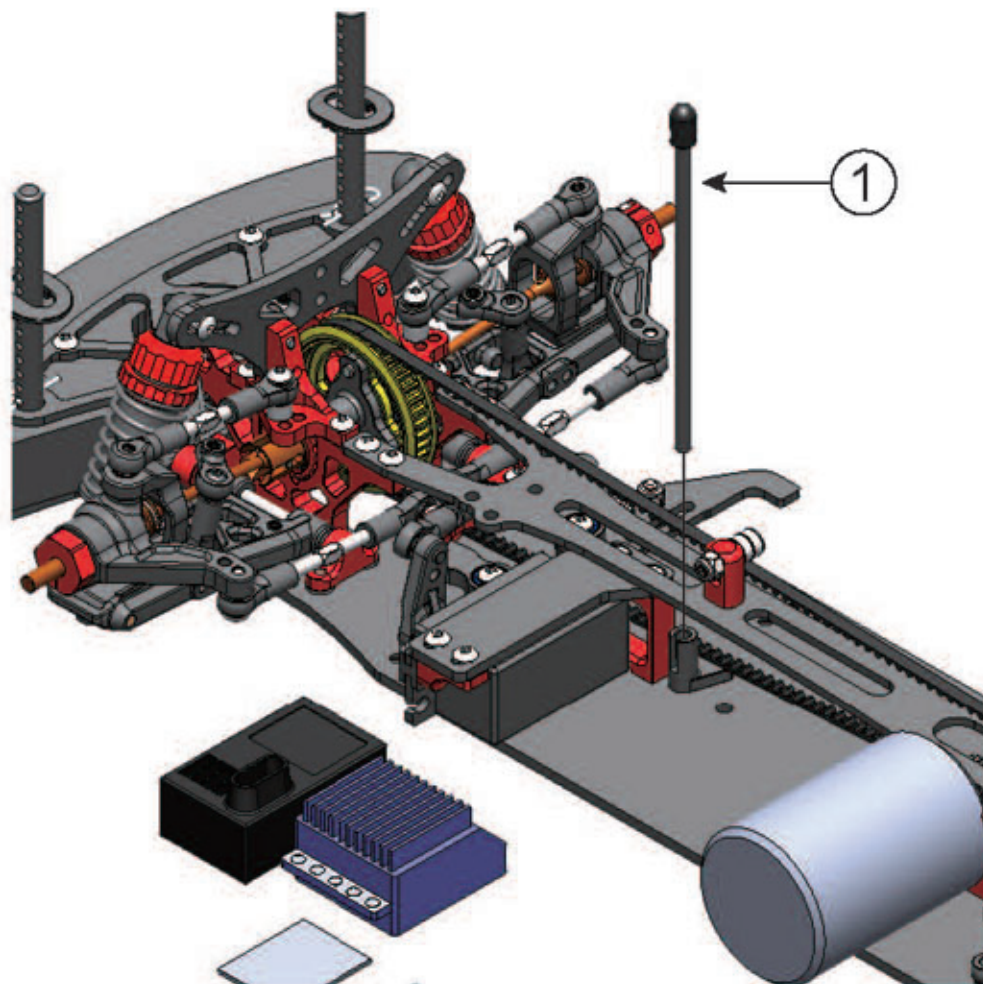
Parts List		
1	Cap18027	3x10 Cylinder head screw



Parts List		
1	Cap2101A	Antenna Mount Set
2	Cap17029	3x6 Flat head screw
3	Cap17024	3x12 Flat haed screw

Parts List		
4	Cap17040	Nylon nut M3
5	Cap22110	Low Arm F/R Set with Shims
6	Cap28006	Battery Mount Plate Carbon

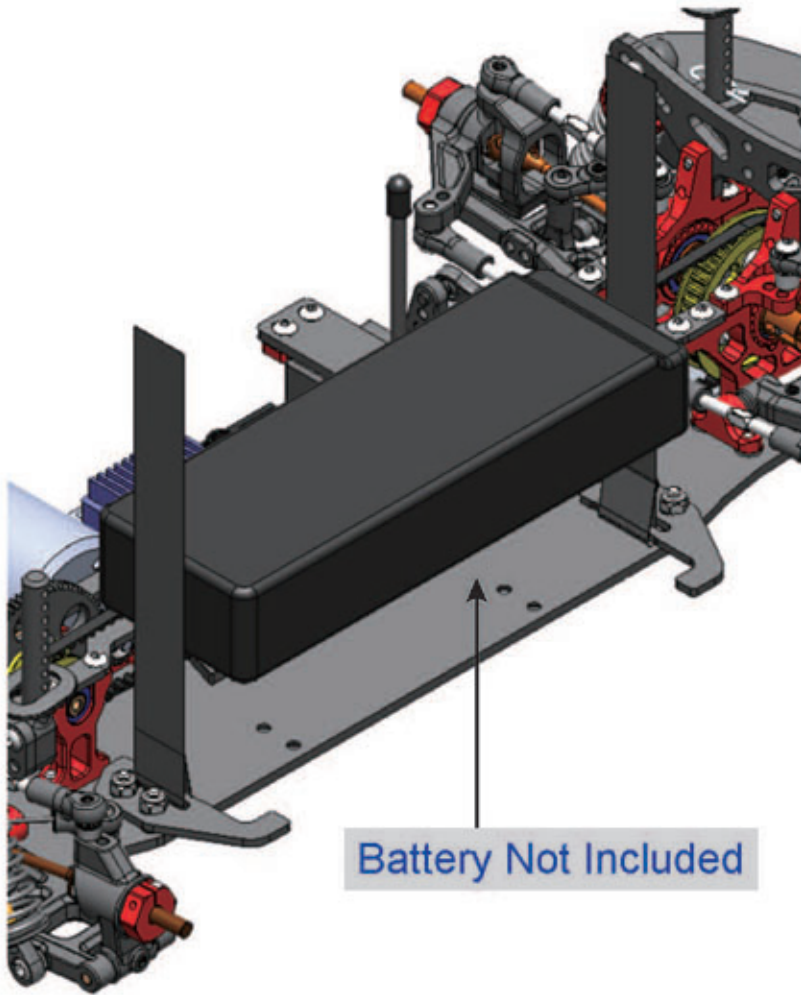


**Parts List**

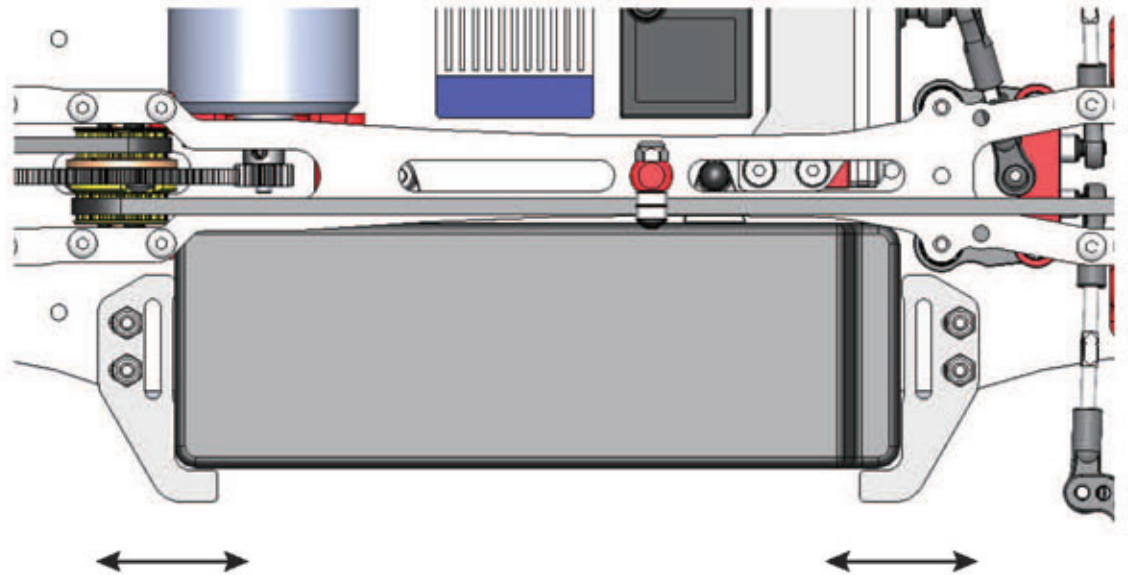
1	Cap14001	Antenna (3set)
---	----------	----------------

*Made in Italy*

Use glass fiber tape attached to the battery mount plate to secure the battery.



Battery Not Included



Battery location can be adjusted by moving the battery holder. It can be used to adjust weight distribution.

