

P12 SETUP SHEET

Capricorn RC

Event	<input type="text"/>	Date	<input type="text"/>
Track	<input type="text"/>	Qualifying	<input type="text"/>
Driver	<input type="text"/>	Best Lap	<input type="text"/> /sec
City	<input type="text"/>	Final	<input type="text"/>
Contact	<input type="text"/>	Race Length	<input type="text"/> /min

Composition Carpet Asphalt (Indoor Outdoor)

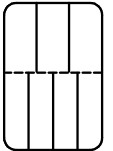
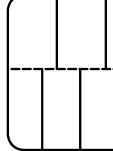
Layout Technical Mixed Fast

Traction Low Medium High

Surface Bumpy Medium Smooth

Air Temperature: _____ Track Temperature: _____

Center Shock Absorber				Side Shock	
<input type="text"/>	<input type="text"/>	<input type="text"/> /CST	<input type="text"/> %	<input type="text"/> /CST	<input type="text"/> /CST
Spring	Piston	Oil	Rebound	Oil	

Front	Tires	Rear
<input type="text"/>	Brand	<input type="text"/>
<input type="text"/>	Shore	<input type="text"/>
<input type="text"/>	Diameter	<input type="text"/>
<input type="text"/>	Track Width	<input type="text"/>
	Additive Treated Area	

Differential Setting

Loose Medium Tight

Gearing

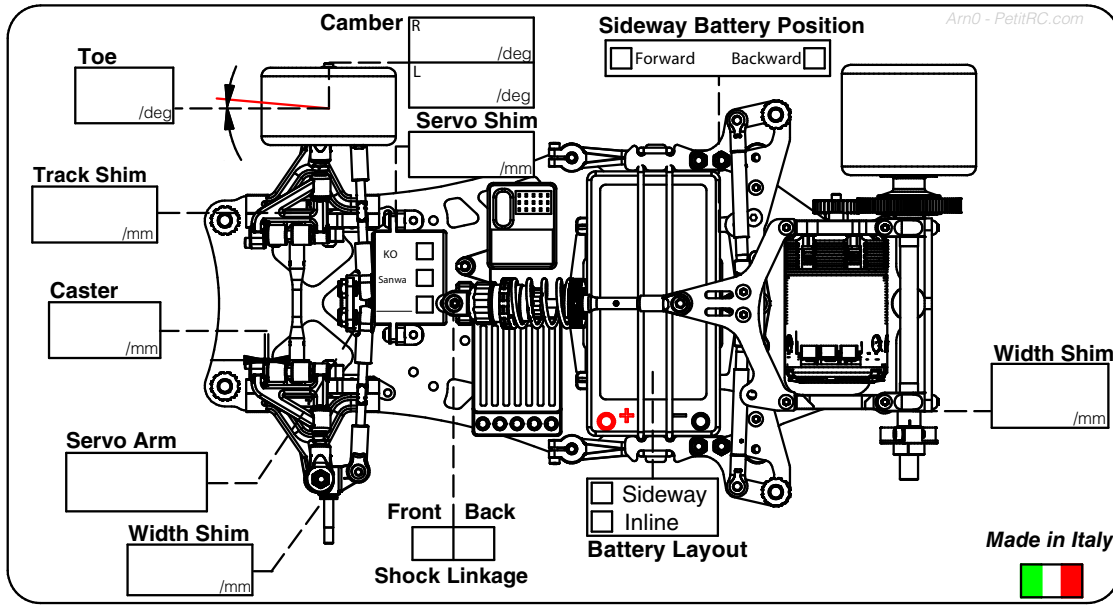
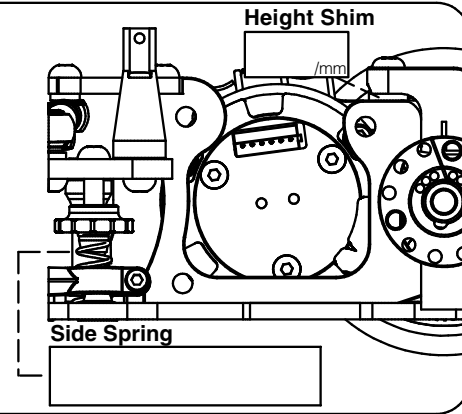
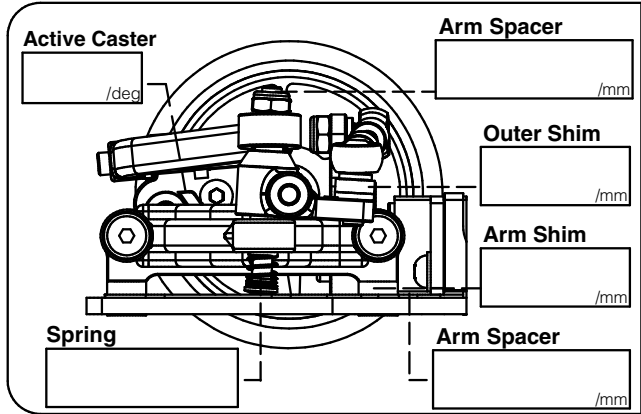
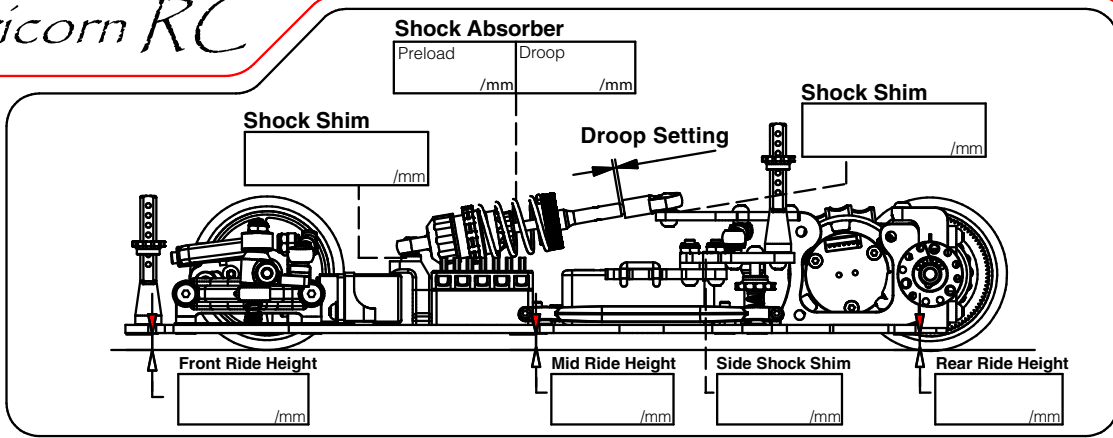
Pinion /T Spur Gear /T Drive Ratio

Motor

ESC

Battery

Body



NOTES