

# P01 Setup Sheet

Capricorn RC

Event	<input type="text"/>	Date	<input type="text"/>
Track	<input type="text"/>	Qualifying	<input type="text"/>
Driver	<input type="text"/>	Best Lap	<input type="text"/> /sec
City	<input type="text"/>	Final	<input type="text"/>
Contact	<input type="text"/>	Race Length	<input type="text"/> /min

Composition  Carpet  Asphalt ( Indoor  Outdoor)

Layout  Technical  Mixed  Fast

Traction  Low  Medium  High

Surface  Bumpy  Medium  Smooth

Air Temperature: \_\_\_\_\_ Track Temperature: \_\_\_\_\_

Center Shock Absorber				Side Shock
<input type="text"/>	<input type="text"/>	<input type="text"/> /CST	<input type="text"/> /%	<input type="text"/> /CST
Spring	Piston	Oil	Rebound	Oil

Front	Tires	Rear
<input type="text"/>	Brand	<input type="text"/>
<input type="text"/>	Shore	<input type="text"/>
<input type="text"/>	Diameter	<input type="text"/>
<input type="text"/>	Track Width	<input type="text"/>
<input type="text"/>	Additive Treated Area	<input type="text"/>
<input type="text"/>		

Differential Setting

Loose  Medium  Tight

Gearing

/T  /T

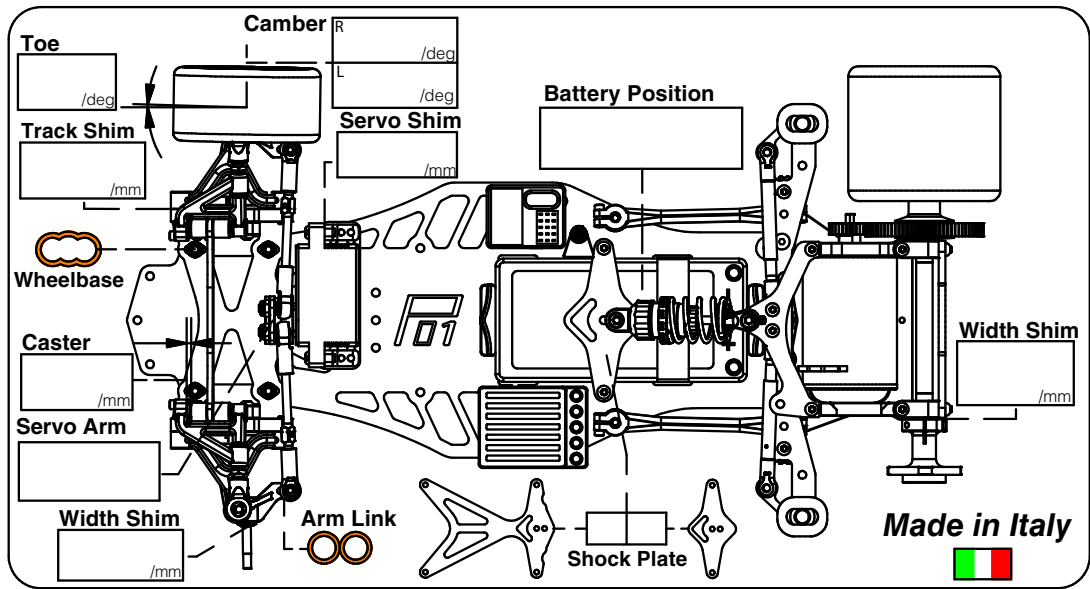
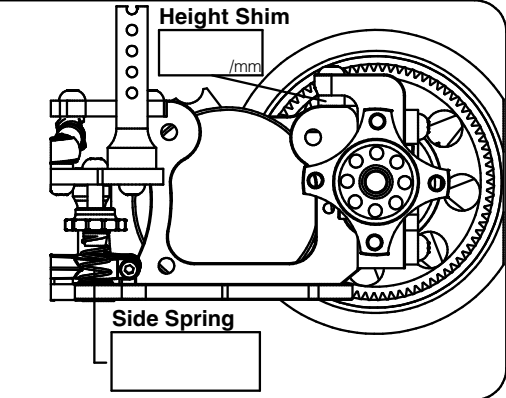
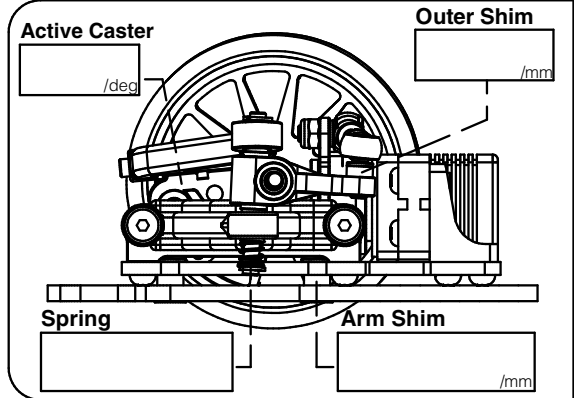
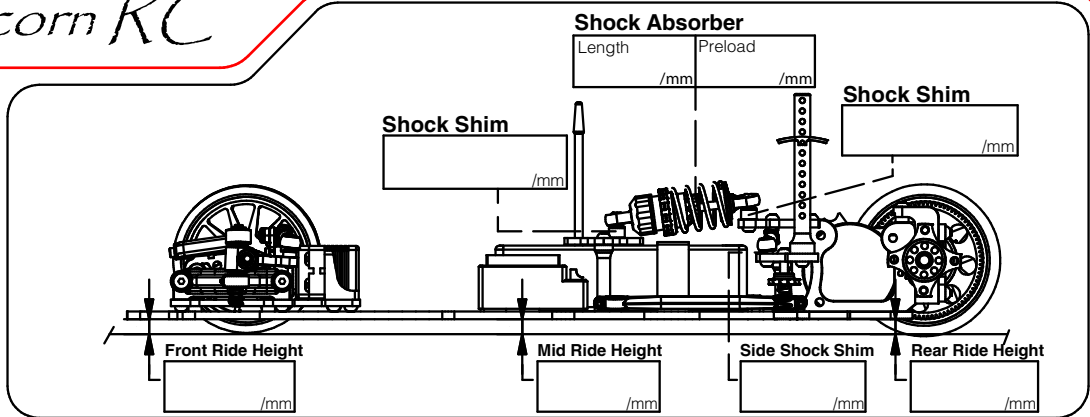
Pinion Spur Gear Drive Ratio

Motor

ESC

Battery

Body



Made in Italy

Arr0