

NAME _____

COUNTRY _____

RACE _____

TRACK _____

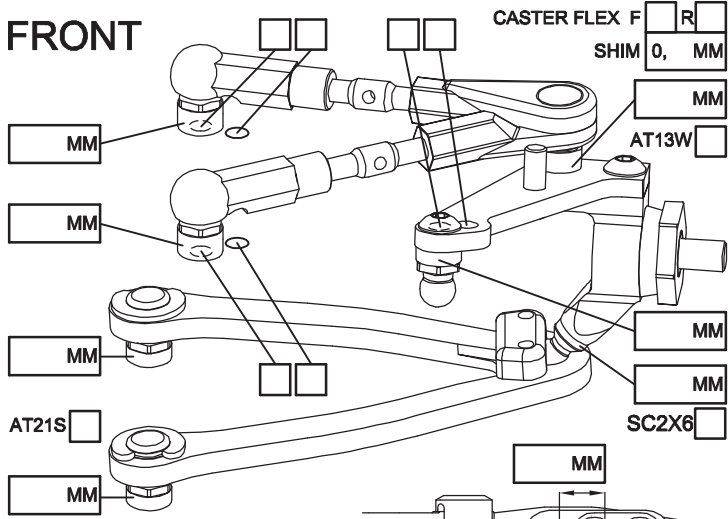
DATE _____ TEMP.°C AIR / TRACK _____ /

TRACK CONDITION TECHNICAL MIXED FAST

TRACTION LOW MEDIUM HIGH

CARPET ASPHALT

FRONT



CAMBER ANGLE / ° _____

CASTER ANGLE / ° _____

TOE ANGLE / ° _____

RIDE HEIGHT / MM _____

DOWNSTOP / MM _____

UPSTOP / MM _____

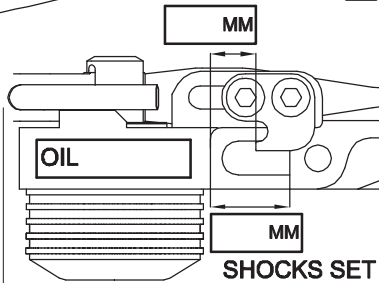
STABILIZER Ø / MM _____

LOW ARM C04AL _____

STEERING ARM STD _____

WHEEL SPACER / MM _____

FRONT DRIVE GD3 SPOOL GD2B



SHOCKS SET

ROTOR STD _____

SPRING STD S _____

DAMPER D2.1 _____

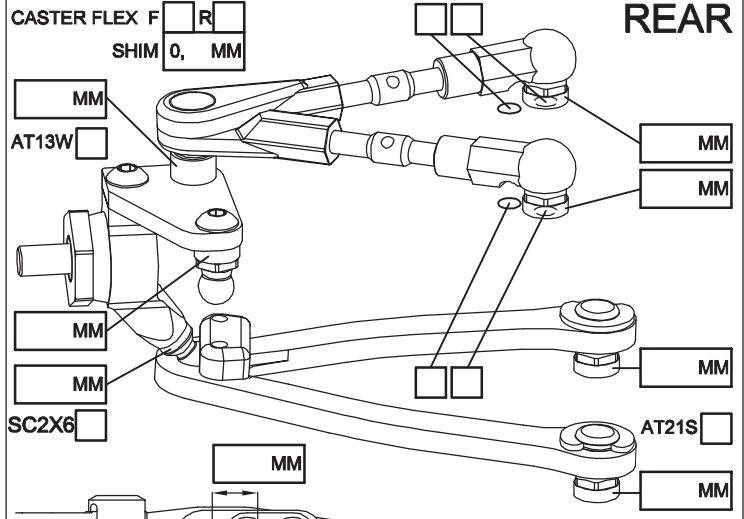
ACTION SYM. ASYM. _____

SRS/RHS ARR. I II _____

DIFF OIL _____ DIFF WASHERS _____

DOGBONE DRIVE ST17-1 ST11 ST12 BB ST02

REAR



CAMBER ANGLE / ° _____

CASTER ANGLE / ° _____

TOE ANGLE / ° _____

RIDE HEIGHT / MM _____

DOWNSTOP / MM _____

UPSTOP / MM _____

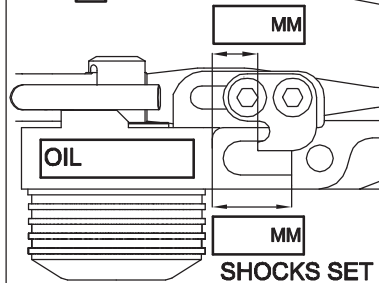
STABILIZER Ø / MM _____

LOW ARM C04AL _____

STEERING ARM STD _____

WHEEL SPACER / MM _____

REAR DRIVE GD3R GD2B



SHOCKS SET

ROTOR STD _____

SPRING STD S _____

DAMPER D2.1 _____

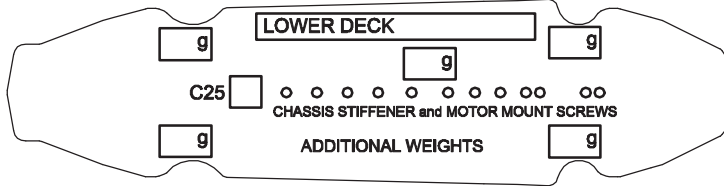
ACTION SYM. ASYM. _____

SRS/RHS ARR. I II _____

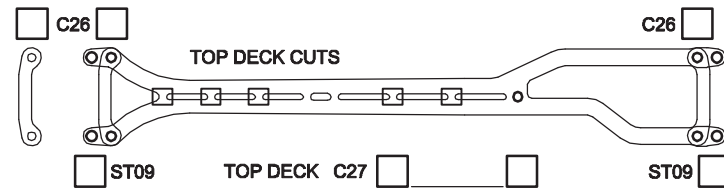
DIFF OIL _____ DIFF WASHERS _____

DOGBONE DRIVE ST11 ST12 BB ST17-1 EVD

FRAME FLEX SETTING



CHASSIS STIFFENER AM110 AM115 ST130



COMMENTS

FL	FR	RL	RR	TIRES	FRONT	REAR
				BRAND		
				INSERTS		
				WHEELS		
				ADDITIVE		

MOTOR LATERAL SHIFT / MM _____

ACKERMANN SHIMS / MM _____

DRIVE RATIO _____

SPUR _____ PINION _____

BODY _____

WING _____

MOTOR _____

SERVO _____

ESC _____

BATTERY _____

RECEIVER _____

BEST LAPTIME _____ QUALIF. / FINAL POSITION _____ /

ESC SETTING _____

COMMENTS / IMPRESSIONS _____

CONTACT