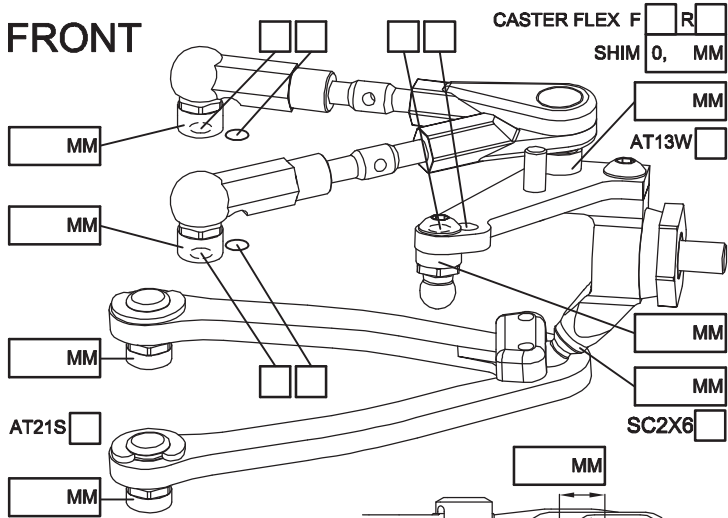


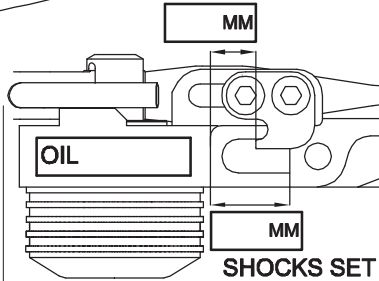
NAME _____
COUNTRY _____
RACE _____
TRACK _____

DATE _____ TEMP.°C AIR / TRACK _____ /
CARPET ASPHALT
TRACK CONDITION TECHNICAL MIXED FAST
TRACTION LOW MEDIUM HIGH

FRONT



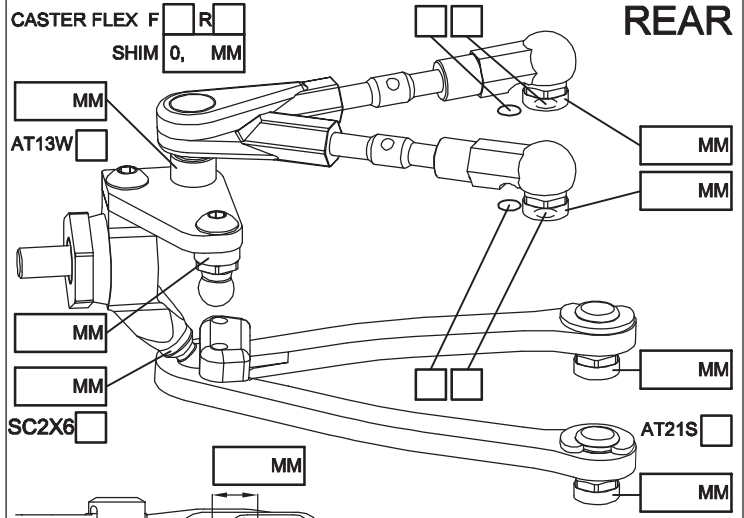
CAMBER ANGLE / ° _____
CASTER ANGLE / ° _____
TOE ANGLE / ° _____
RIDE HEIGHT / MM _____
DOWNSTOP / MM _____
UPSTOP / MM _____
STABILIZER Ø / MM _____
LOW ARM C04AL
STEERING ARM STD
WHEEL SPACER / MM _____
FRONT DRIVE GD3 SPOOL GD2B



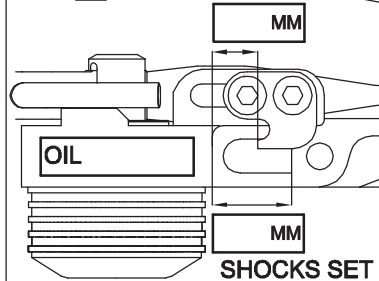
ROTOR STD
SPRING STD S
DAMPER D2.1
ACTION SYM. ASYM.
SRS/RHS ARR. I II

DIFF OIL _____ DIFF WASHERS _____
DOGBONE DRIVE ST17-1 ST11 ST12 BB ST02

REAR



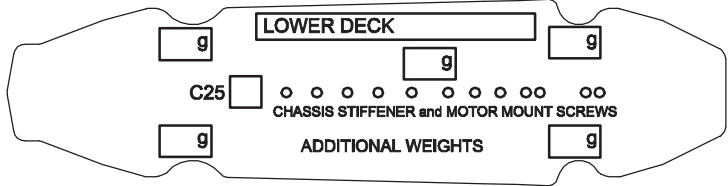
CAMBER ANGLE / ° _____
CASTER ANGLE / ° _____
TOE ANGLE / ° _____
RIDE HEIGHT / MM _____
DOWNSTOP / MM _____
UPSTOP / MM _____
STABILIZER Ø / MM _____
LOW ARM C04AL
STEERING ARM STD
WHEEL SPACER / MM _____
REAR DRIVE GD3R GD2B



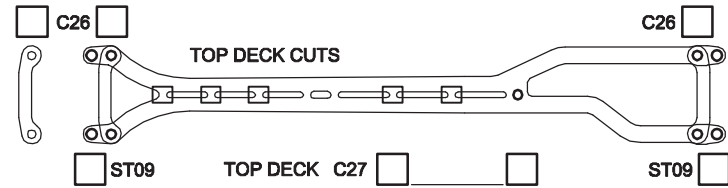
ROTOR STD
SPRING STD S
DAMPER D2.1
ACTION SYM. ASYM.
SRS/RHS ARR. I II

DIFF OIL _____ DIFF WASHERS _____
DOGBONE DRIVE ST11 ST12 BB ST17-1 EVD

FRAME FLEX SETTING



CHASSIS STIFFENER AM110 AM115 ST130



COMMENTS

FL	FR	RL	RR	TIRES	FRONT	REAR
				BRAND		
				INSERTS		
				WHEELS		
				ADDITIVE		

MOTOR LATERAL SHIFT / MM _____ MOTOR _____
ACKERMANN SHIMS / MM _____ SERVO _____
DRIVE RATIO _____ ESC _____
SPUR PINION _____ BATTERY _____
BODY _____ RECEIVER _____
WING _____

BEST LAPTIME _____ QUALIF. / FINAL POSITION _____ /

ESC SETTING _____
COMMENTS / IMPRESSIONS _____

CONTACT