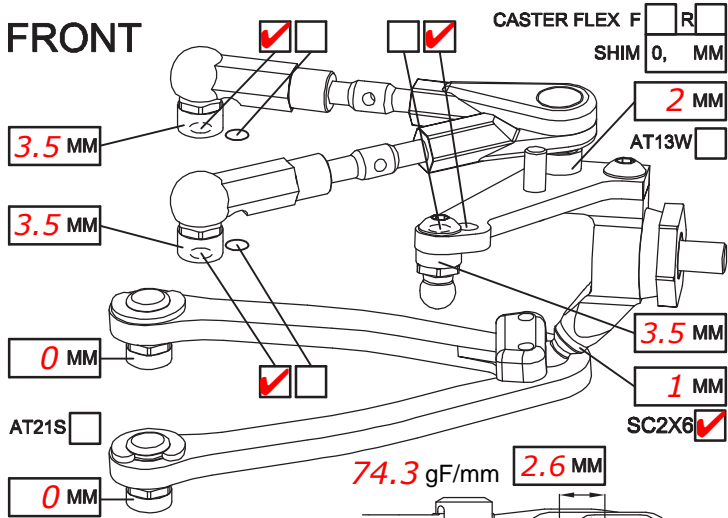


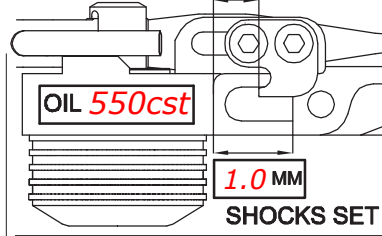
NAME *Brandon Clements*
 COUNTRY *USA*
 RACE *CTS Round 1*
 TRACK *209 Raceway*

DATE *Feb 27 2016* TEMP.°C AIR / TRACK *73°F /*
 TRACK CONDITION TECHNICAL MIXED FAST
 TRACTION LOW MEDIUM HIGH

FRONT

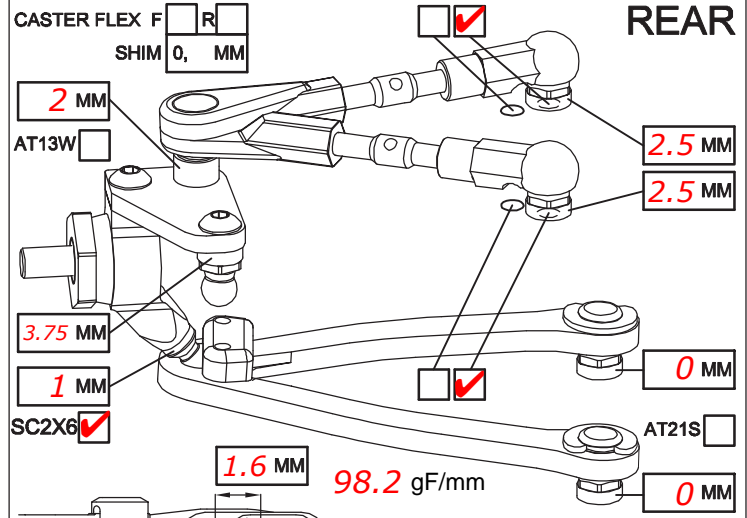


CAMBER ANGLE / °	<i>2</i>
CASTER ANGLE / °	<i>4</i>
TOE ANGLE / °	<i>.5</i>
RIDE HEIGHT / MM	<i>5.0</i>
DOWNSTOP / MM	<i>5.6</i>
UPSTOP / MM	<i>Max</i>
STABILIZER Ø / MM	<i>1.2</i>
LOW ARM C04AL	<input checked="" type="checkbox"/>
STEERING ARM STD	<input checked="" type="checkbox"/>
WHEEL SPACER / MM	<i>0</i>
FRONT DRIVE	<input type="checkbox"/> GD3 <input type="checkbox"/> SPOOL <input checked="" type="checkbox"/> GD2B
DIFF OIL	DIFF WASHERS
DOG BONE DRIVE	ST17-1 <input type="checkbox"/> ST11 <input checked="" type="checkbox"/> ST12 <input type="checkbox"/> BB <input type="checkbox"/> ST02 <input type="checkbox"/>

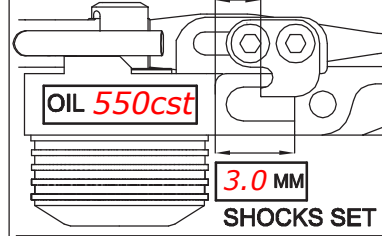


ROTOR	STD <input checked="" type="checkbox"/>	<input type="checkbox"/>
SPRING	STD <input type="checkbox"/>	S <input checked="" type="checkbox"/>
DAMPER	D2.1 <input checked="" type="checkbox"/>	<input type="checkbox"/>
ACTION	SYM. <input type="checkbox"/>	ASYM. <input type="checkbox"/>
SRS/RHS ARR.	I <input checked="" type="checkbox"/>	II <input type="checkbox"/>

REAR

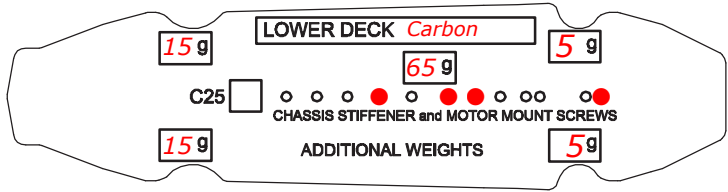


CAMBER ANGLE / °	<i>-2</i>
CASTER ANGLE / °	<i>2 Forward</i>
TOE ANGLE / °	<i>2.75</i>
RIDE HEIGHT / MM	<i>5.2</i>
DOWNSTOP / MM	<i>4.4</i>
UPSTOP / MM	<i>Max</i>
STABILIZER Ø / MM	<i>1.0</i>
LOW ARM C04AL	<input checked="" type="checkbox"/>
STEERING ARM STD	<input checked="" type="checkbox"/>
WHEEL SPACER / MM	<i>0</i>
REAR DRIVE	<input type="checkbox"/> GD3R <input type="checkbox"/> GD2B <input checked="" type="checkbox"/>
DIFF OIL	DIFF WASHERS
DOG BONE DRIVE	ST11 <input checked="" type="checkbox"/> ST12 <input type="checkbox"/> BB <input type="checkbox"/> ST17-1 <input type="checkbox"/> EVD <input type="checkbox"/>

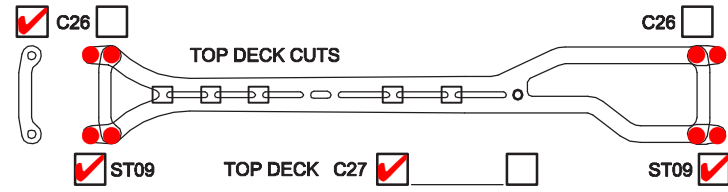


ROTOR	STD <input checked="" type="checkbox"/>	<input type="checkbox"/>
SPRING	STD <input type="checkbox"/>	S <input checked="" type="checkbox"/>
DAMPER	D2.1 <input checked="" type="checkbox"/>	<input type="checkbox"/>
ACTION	SYM. <input type="checkbox"/>	ASYM. <input type="checkbox"/>
SRS/RHS ARR.	I <input checked="" type="checkbox"/>	II <input type="checkbox"/>

FRAME FLEX SETTING



CHASSIS STIFFENER AM110 AM115 ST130



COMMENTS

TIRES		FRONT	REAR
BRAND	<i>Solaris</i>		<i>Medium</i>
INSERTS			
WHEELS			
ADDITIVE	<i>SXT3.0</i>		

MOTOR LATERAL SHIFT / MM	<i>0</i>	MOTOR	<i>Hobbywing G2 4.5</i>
ACKERMANN SHIMS / MM	<i>1</i>	SERVO	<i>Futaba BLS551</i>
DRIVE RATIO	<i>8.0</i>	ESC	<i>Hobbywing v3.1</i>
SPUR	<i>114</i>	PINION	<i>27</i>
BATTERY	<i>Orca 6200</i>	RECEIVER	<i>Airtronics 481</i>
BODY	<i>PF Mazda speed 6 LW</i>		
WING	<i>PF Precut</i>		

BEST LAP TIME *9.4* QUALIF. / FINAL POSITION *3rd / 1st*

ESC SETTING
 COMMENTS / IMPRESSIONS

CONTACT