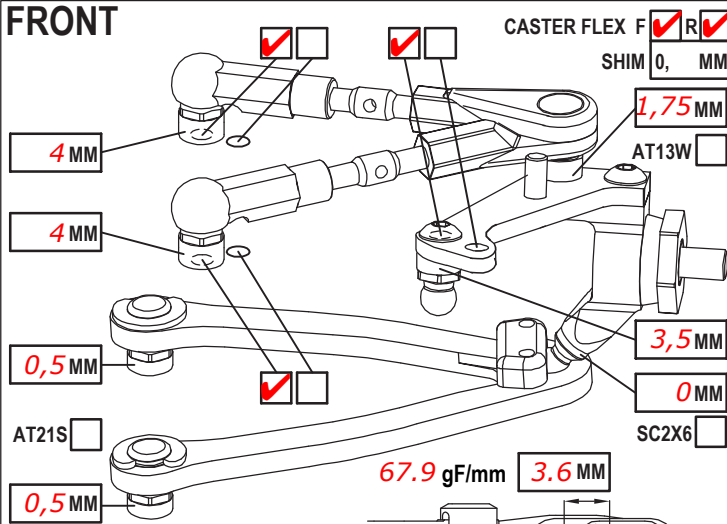


NAME *Viljami Kutvonen*
COUNTRY *Finland*
RACE *Tonisport finale*
TRACK *Arena33, Germany*

DATE *15.10.2017* TEMP. °C AIR / TRACK °C / °C
 ASPHALT (OUTDOOR INDOOR) CARPET
 TRACK CONDITION TECHNICAL MIXED FAST
 TRACTION LOW MEDIUM HIGH

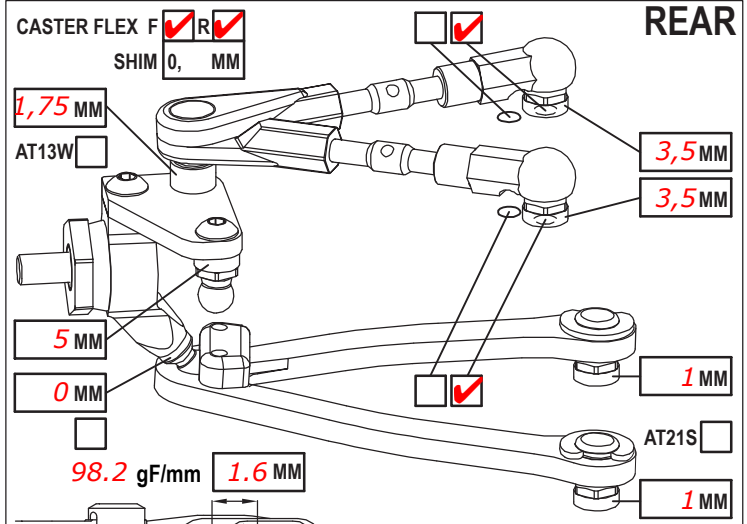
FRONT



CAMBER ANGLE / °	2
CASTER ANGLE / °	4
TOE ANGLE / °	1 out
RIDE HEIGHT / MM	5
DOWNSTOP / MM	6,2
UPWNSTOP / MM	
STABILIZER Ø / MM	1,1
LOW ARM C04M1 <input type="checkbox"/>	<input checked="" type="checkbox"/>
STEER. ARM AM14A <input type="checkbox"/>	<input checked="" type="checkbox"/>
WHEEL SPACER / MM	
FRONT DRIVE GD3 <input type="checkbox"/> SPOOL <input checked="" type="checkbox"/> GB2B <input type="checkbox"/> LOW <input checked="" type="checkbox"/> HIGH <input type="checkbox"/>	
DIFF. OIL	DIFF WASHERS
DOGBONE DRIVE ST17 <input type="checkbox"/> ST11 <input type="checkbox"/> ST12 <input type="checkbox"/> BB <input checked="" type="checkbox"/> ST02 <input type="checkbox"/>	
WHEELHUB AM06WL <input checked="" type="checkbox"/> AM06S-M <input type="checkbox"/> AM06W <input type="checkbox"/>	

SHOCKS SET	
ROTOR STD <input checked="" type="checkbox"/>	<input type="checkbox"/>
SPRING STD <input type="checkbox"/>	S <input checked="" type="checkbox"/>
DAMPER D2.2 <input checked="" type="checkbox"/>	<input type="checkbox"/>
ACTION SYM. <input type="checkbox"/>	ASYM. <input type="checkbox"/>
SRS/RHS ARR. I <input checked="" type="checkbox"/>	II <input type="checkbox"/>

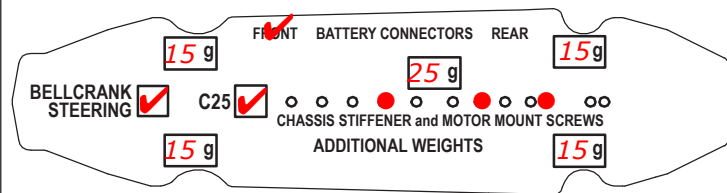
REAR



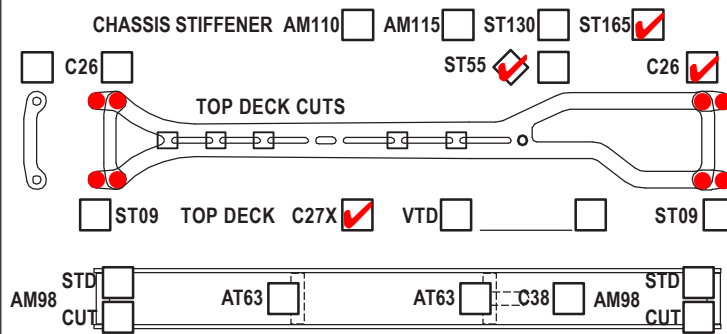
CAMBER ANGLE / °	2
CASTER ANGLE / °	0
TOE ANGLE / °	2,75
RIDE HEIGHT / MM	5,2
DOWNSTOP / MM	5
UPWNSTOP / MM	
STABILIZER Ø / MM	1,0
LOW ARM C04M1 <input checked="" type="checkbox"/>	<input type="checkbox"/>
STEER. ARM AM23 <input checked="" type="checkbox"/>	<input type="checkbox"/>
WHEEL SPACER / MM	
REAR DRIVE GD3R <input type="checkbox"/> GB2B <input checked="" type="checkbox"/> LOW <input checked="" type="checkbox"/> HIGH <input type="checkbox"/>	
DIFF. OIL 7k	DIFF WASHERS
DOGBONE DRIVE ST11 <input type="checkbox"/> ST12 <input type="checkbox"/> BB <input checked="" type="checkbox"/> ST17 <input type="checkbox"/> EVD <input type="checkbox"/>	
WHEELHUB AM06WL <input type="checkbox"/> AM06S-M <input checked="" type="checkbox"/> AM06W <input type="checkbox"/>	

SHOCKS SET	
ROTOR STD <input checked="" type="checkbox"/>	<input type="checkbox"/>
SPRING STD <input type="checkbox"/>	S <input checked="" type="checkbox"/>
DAMPER D2.2 <input checked="" type="checkbox"/>	<input type="checkbox"/>
ACTION SYM. <input type="checkbox"/>	ASYM. <input type="checkbox"/>
SRS/RHS ARR. I <input checked="" type="checkbox"/>	II <input type="checkbox"/>

FRAME FLEX SETTING



LOWER DECK *XA Alloy softer*



FL	FR	RL	RR	TIRES	FRONT	REAR
				BRAND	<i>Volante 28</i>	
				INSERTS	<i>ETS</i>	
				WHEELS	<i>ETS</i>	
				ADDITIVE	<i>CS High Grip</i>	

MOTOR LATERAL SHIFT / MM	ACKERMANN SHIMS / MM 1
MOTOR <i>LRP X22 5.0T</i>	SERVO <i>Highest DLP650</i>
SPUR112 PINION 26 RATIO 8.18	STEER TRAVEL IN 27 OUT
BODY <i>Montech Racer</i>	BATTERY <i>LRP 5500 Ultra LCG</i>
WING <i>Standard</i>	RECEIVER <i>Sanwa</i>
ESC <i>LRP Flow X</i>	RADIO <i>Sanwa</i>
ESC SETTING	
BEST LAPTIME <i>12,85</i>	QUALIF./FINAL POSITION 2 / 1
CONTACT	

COMMENTS
RC Maker link on topdeck rear
PSS 4,4mm in front
65g stiffener in center, 25g glued inside side of battery
IF1 in front