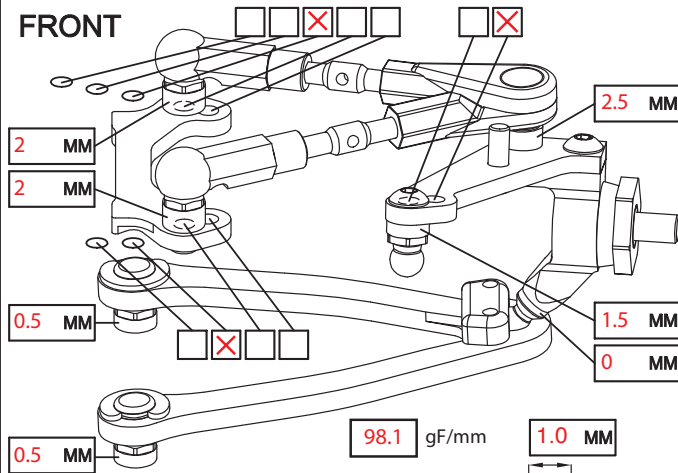


NAME **Ethan Erchinger**  
 COUNTRY **USA**  
 RACE **Club Race**  
 TRACK **NorCal Hobbies**

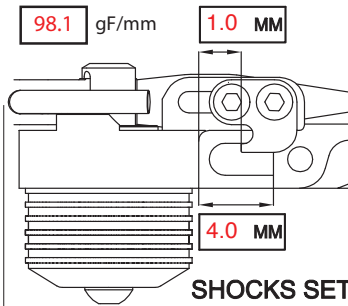
## SETUP SHEET

DATE **May 20, 2012** TEMP.°C **AIR / TRACK 73 F** / 100 F  
 TRACK CONDITION TECHNICAL  CARPET  ASPHALT   
 MIXED  FAST   
 TRACTION LOW  MEDIUM  HIGH

### FRONT



CAMBER ANGLE / ° **2**  
 CASTER ANGLE / ° **6**  
 TOE ANGLE / ° **-1**  
 RIDE HEIGHT / MM **5.2**  
 DOWNSTOP / MM **5.8**  
 UPSTOP / MM **0**

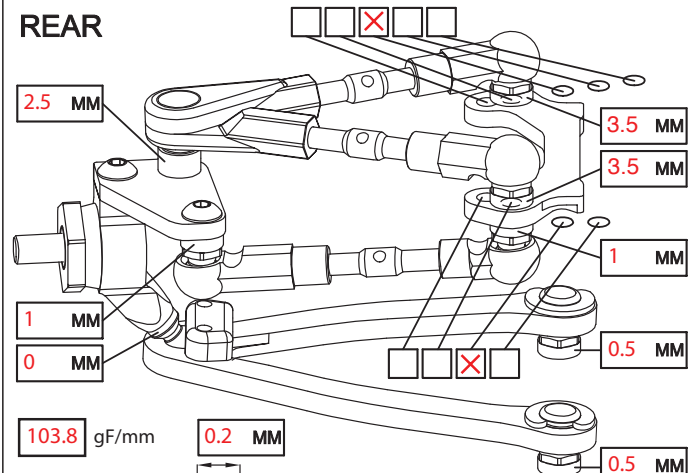


#### SHOCKS SET

STABILIZER Ø / MM **1.1**  
 LOW ARM STD    
 STEERING ARM STD    
 WHEEL SPACER / MM  
 FRONT DRIVE BALL DIFF  GEAR DIFF  SPOOL  ONE-WAY   
 DIFF SET LOOSE  MEDIUM  TIGHT  OIL  #  
 DOGBONE DRIVE BUSHING  C-DRIVE  BB  EVD

SPRING STD    
 DAMPER STD    
 ACTION SYM.  ASYM.   
 SRS/RHS ARR. I  II

### REAR

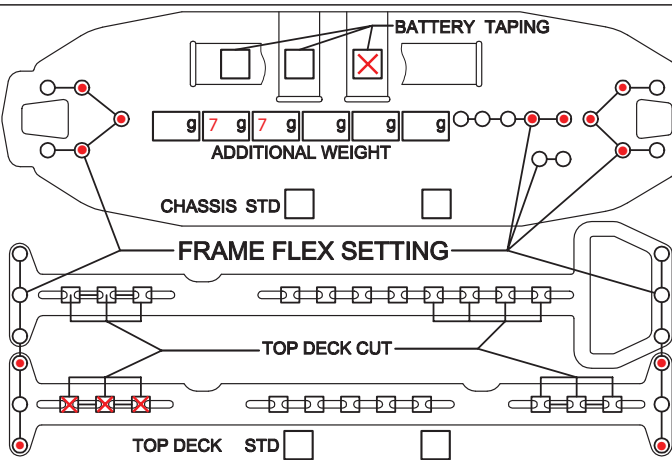


CAMBER ANGLE / ° **1.5**  
 CASTER ANGLE / ° **6**  
 TOE ANGLE / ° **2.0**  
 RIDE HEIGHT / MM **5.2**  
 DOWNSTOP / MM **4.8**  
 UPSTOP / MM **0**

#### SHOCKS SET

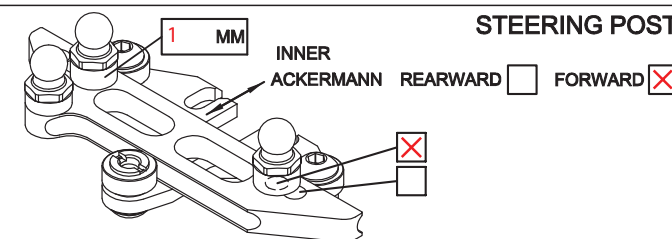
STABILIZER Ø / MM **1.1**  
 LOW ARM STD    
 STEERING ARM STD    
 WHEEL SPACER / MM  
 REAR DRIVE BALL DIFF  GEAR DIFF   
 DIFF SET LOOSE  MEDIUM  TIGHT  OIL  # **1500**  
 DOGBONE DRIVE BUSHING  C-DRIVE  BB  EVD

SPRING STD    
 DAMPER STD    
 ACTION SYM.  ASYM.   
 SRS/RHS ARR. I  II



FL	FR	RL	RR	TIRES	FRONT	REAR
				BRAND	<b>Powers Hard</b>	<b>Powers Hard</b>
				INSERTS		
				WHEELS		
				ADDITIVE	<b>Tweak</b>	<b>Tweak</b>

MOTOR LAYOUT LONG  TRANS.  MOTOR **Team Powers 4.0**  
 SERVO LAYOUT LEFT  RIGHT  SERVO **Futaba bls551**  
 ESC LAYOUT LEFT  RIGHT  ESC **Team Powers XLS**  
 BAT. LAYOUT R1  R2  F1  F2  BATTERY **Protek**  
 SPUR **78** PINION **23** RECEIVER **Futaba R614FF**  
 FINAL DRIVE RATIO **7.67** MOTOR OFFSET / MM **0**  
 BODY **PF LTCR LW** WING **<---**



### STEERING POST

INNER ACKERMANN REARWARD  FORWARD

BEST LAP TIME **14.49** QUALIF. / FINAL POSITION **4** / **2**  
 ESC SETTING **2 timing and 5 turbo boost. Motor very hot (215F).**  
 COMMENTS / IMPRESSIONS **IAS used, not full forward.**  
 CONTACT