

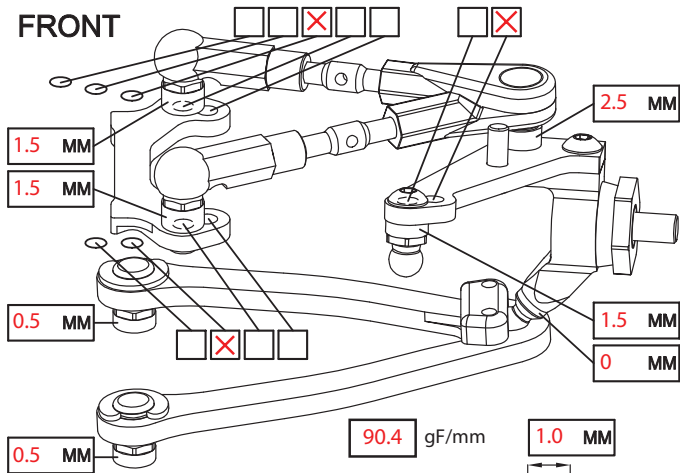
AWESONIX® A700

NAME **Ethan Erchinger**
 COUNTRY **USA**
 RACE **Club Race**
 TRACK **NorCal Hobbies**

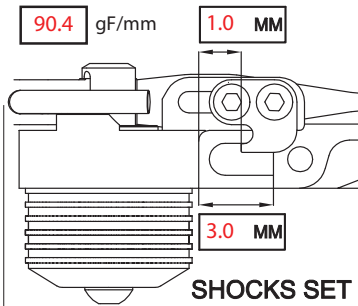
SETUP SHEET

DATE **April 7, 2012** TEMP.°C AIR / TRACK **60 F** /
 TRACK CONDITION TECHNICAL CARPET ASPHALT
 MIXED FAST
 TRACTION LOW MEDIUM HIGH

FRONT



CAMBER ANGLE / ° **2**
 CASTER ANGLE / ° **4**
 TOE ANGLE / ° **-1**
 RIDE HEIGHT / MM **5.4**
 DOWNSTOP / MM **5.6**
 UPSTOP / MM **0**

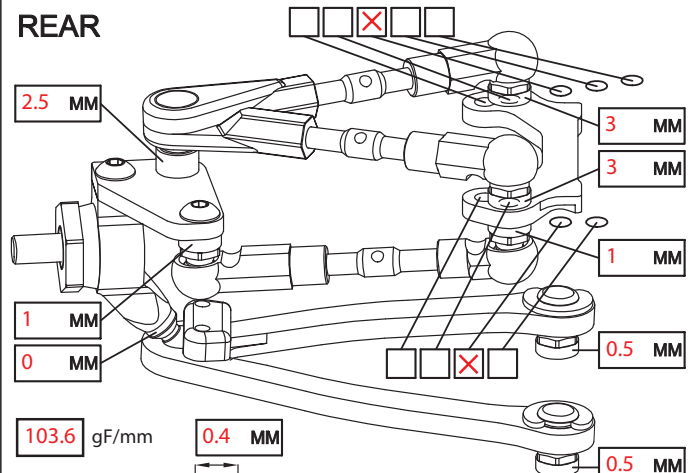


SHOCKS SET

STABILIZER Ø / MM **1**
 LOW ARM STD
 STEERING ARM STD
 WHEEL SPACER / MM
 FRONT DRIVE BALL DIFF GEAR DIFF SPOOL ONE-WAY
 DIFF SET LOOSE MEDIUM TIGHT OIL #
 DOGBONE DRIVE BUSHING C-DRIVE BB EVD

SPRING STD
 DAMPER STD
 ACTION SYM. ASYM.
 SRS/RHS ARR. I II

REAR

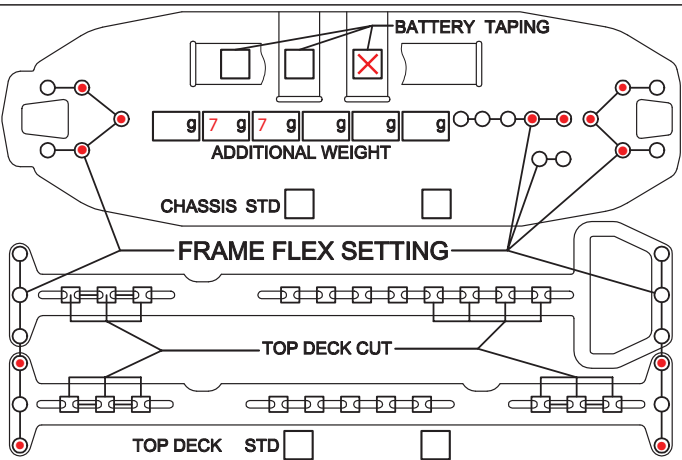


CAMBER ANGLE / ° **2**
 CASTER ANGLE / ° **4**
 TOE ANGLE / ° **3**
 RIDE HEIGHT / MM **5.4**
 DOWNSTOP / MM **4.6**
 UPSTOP / MM **0**

SHOCKS SET

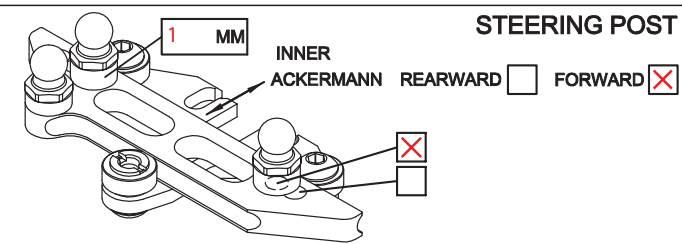
STABILIZER Ø / MM **0**
 LOW ARM STD
 STEERING ARM STD
 WHEEL SPACER / MM
 REAR DRIVE BALL DIFF GEAR DIFF
 DIFF SET LOOSE MEDIUM TIGHT OIL # **1000**
 DOGBONE DRIVE BUSHING C-DRIVE BB EVD

SPRING STD
 DAMPER STD
 ACTION SYM. ASYM.
 SRS/RHS ARR. I II



FL	FR	RL	RR	TIRES	FRONT	REAR
				BRAND	Powers Hard	Powers Hard
				INSERTS		
				WHEELS		
				ADDITIVE	FX II	FX II

MOTOR LAYOUT LONG TRANS. MOTOR **Team Powers 4.0**
 SERVO LAYOUT LEFT RIGHT SERVO **Futaba bls551**
 ESC LAYOUT LEFT RIGHT ESC **Team Powers XLS**
 BAT. LAYOUT R1 R2 F1 F2 BATTERY **Protek**
 SPUR **78** PINION **22** RECEIVER **Futaba R614FF**
 FINAL DRIVE RATIO **9.00** MOTOR OFFSET / MM **0**
 BODY **PF Speed 6 Regular** WING **<---**



STEERING POST

INNER ACKERMANN REARWARD FORWARD

BEST LAPTIME QUALIF. / FINAL POSITION /
 ESC SETTING **5 timing and 5 turbo boost, no "punch".**
 COMMENTS / IMPRESSIONS **IAS used, not full forward.**
Initial push, solved a little bit with more ackerman, but I've lost speed in the middle of the corner because of it, try battery forward 1, and less ackerman again.
7g in front and 7g behind battery for left/right balance.
 CONTACT