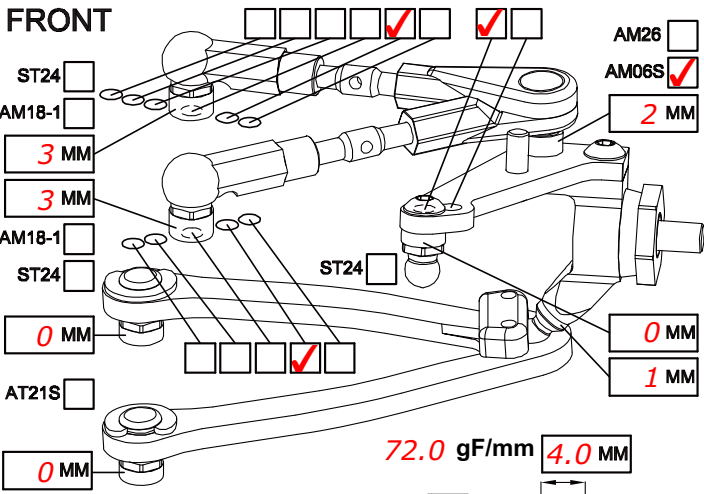
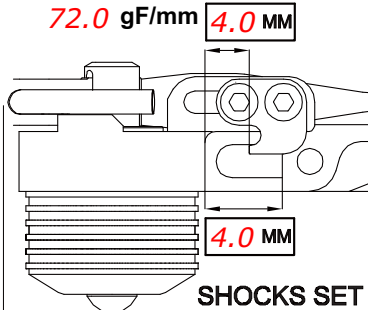


NAME **Mike Gee**
 COUNTRY _____
 RACE **Halloween Classic**
 TRACK **The Gate**

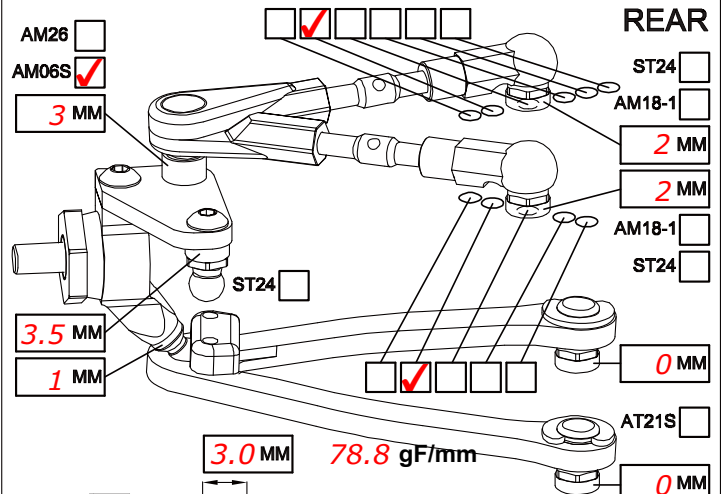
DATE **10/27** TEMP. °C AIR / TRACK **70 / 70**
 TRACK CONDITION TECHNICAL MIXED FAST
 TRACTION LOW MEDIUM HIGH



CAMBER ANGLE / ° **1.5**
 CASTER ANGLE / ° **6**
 TOE ANGLE / ° **1 out**
 RIDE HEIGHT / MM **5.2**
 DOWNSTOP / MM **2mm over**
 UPSTOP / MM _____

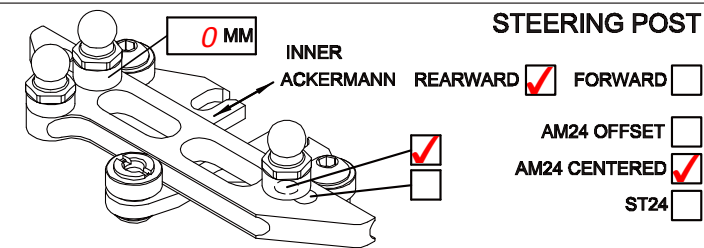
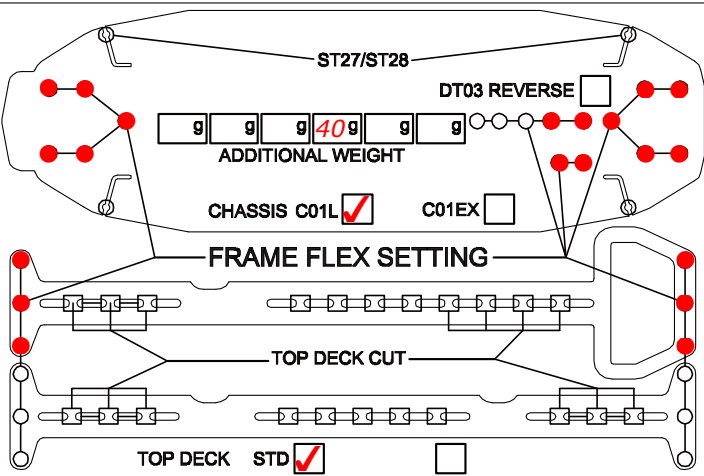


STABILIZER Ø / MM **1.1** SPRING STD S
 LOW ARM STD DAMPER #6 #3
 STEERING ARM STD ACTION SYM. ASYM.
 WHEEL SPACER / MM **0.5** SRS/RHS ARR. I II
 FRONT DRIVE BALL DIFF GEAR DIFF SPOOL ONE-WAY
 DIFF SET LOOSE MEDIUM TIGHT OIL # _____
 DOGBONE DRIVE BUSHING C-DRIVE BB EVD



CAMBER ANGLE / ° **2**
 CASTER ANGLE / ° **4 (longer)**
 TOE ANGLE / ° **3**
 RIDE HEIGHT / MM **5.5**
 DOWNSTOP / MM **2mm over**
 UPSTOP / MM _____

STABILIZER Ø / MM **1.1** SPRING STD S
 LOW ARM STD DAMPER #6 #3
 STEERING ARM STD ACTION SYM. ASYM.
 WHEEL SPACER / MM **0** SRS/RHS ARR. I II
 REAR DRIVE BALL DIFF GEAR DIFF
 DIFF SET LOOSE MEDIUM TIGHT OIL # **2000**
 DOGBONE DRIVE BUSHING C-DRIVE BB EVD



TIRES	FRONT	REAR
BRAND	Sweep	Sweep
INSERTS	QTS 32	QTS 32
WHEELS		
ADDITIVE	SXT	SXT

MOTOR LAYOUT LONG TRANS. MOTOR **17.5**
 SERVO LAYOUT LEFT RIGHT SERVO **Futaba**
 ESC LAYOUT LEFT RIGHT ESC **LRP**
 BAT. LAYOUT R1 R2 F1 F2 BATTERY **Murfdigg**
 SPUR **80** PINION _____ RECEIVER **Futaba**
 FINAL DRIVE RATIO _____ MOTOR OFFSET / MM _____
 BODY **Mazdaspeed 6 LW** WING _____

BEST LAPTIME **9.37** QUALIF. / FINAL POSITION **3 / 2**
 ESC SETTING **Blinky**
 COMMENTS / IMPRESSIONS **Glue on front sidewalls**
AM 19 upper arm mounts
ST09 in all topdeck holes
4 plastic gears in diff
 CONTACT _____