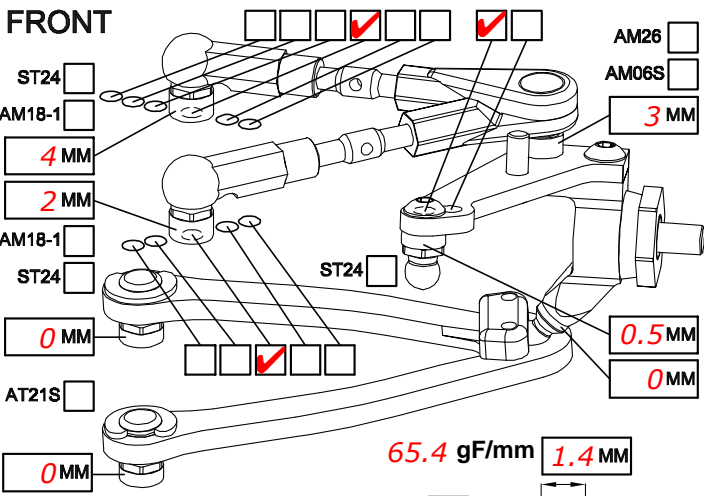
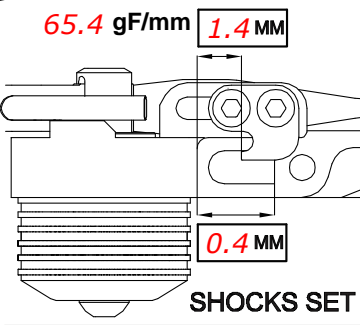


NAME **Austin Brumblay**
 COUNTRY **USA**
 RACE **2013 Reedy Race of Champions - 17.5 Winner**
 TRACK **NorCal Hobbies**

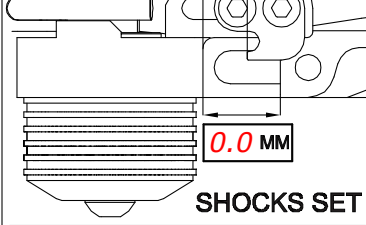
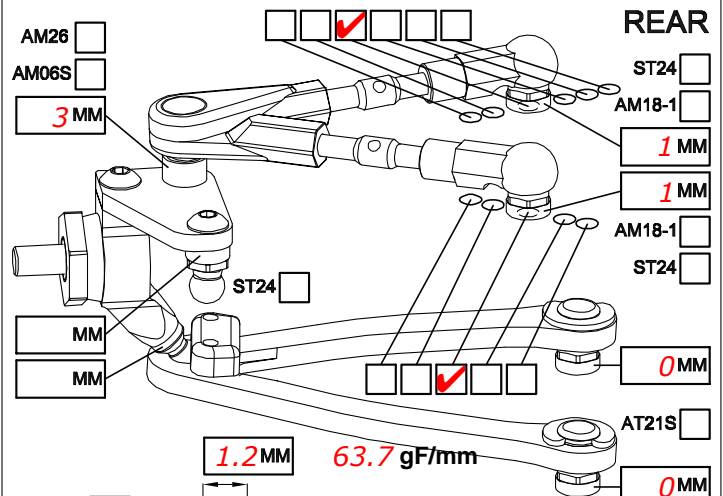
DATE **26 May 2013** TEMP. °C AIR / TRACK **65°F / 95°F**
 CARPET ASPHALT
 TRACK CONDITION TECHNICAL MIXED FAST
 TRACTION LOW MEDIUM HIGH



CAMBER ANGLE / ° **2**
 CASTER ANGLE / ° **5**
 TOE ANGLE / ° **-1**
 RIDE HEIGHT / MM **5**
 DOWNSTOP / MM **1.5 orh**
 UPSTOP / MM **NA**
 STABILIZER Ø / MM **Copper**
 LOW ARM STD
 STEERING ARM STD
 WHEEL SPACER / MM
 FRONT DRIVE BALL DIFF GEAR DIFF SPOOL ONE-WAY
 DIFF SET LOOSE MEDIUM TIGHT OIL #
 DOGBONE DRIVE BUSHING C-DRIVE BB EVD

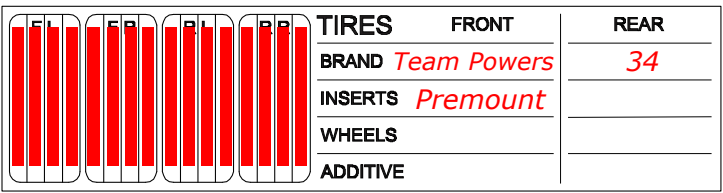
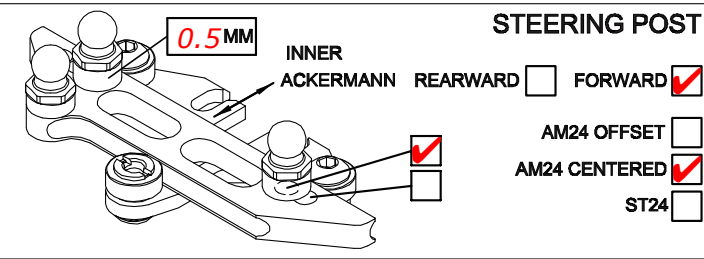
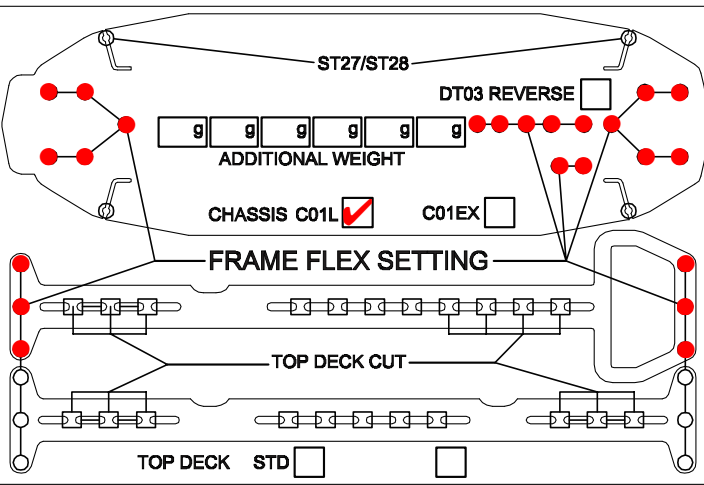


SHOCKS SET
 SPRING STD S
 DAMPER #6 #3
 ACTION SYM. ASYM.
 SRS/RHS ARR. I II



SHOCKS SET
 SPRING STD S
 DAMPER #6 #3
 ACTION SYM. ASYM.
 SRS/RHS ARR. I II

CAMBER ANGLE / ° **2**
 CASTER ANGLE / ° **6**
 TOE ANGLE / ° **2.25**
 RIDE HEIGHT / MM **5.2**
 DOWNSTOP / MM **2.5 orh**
 UPSTOP / MM **NA**
 STABILIZER Ø / MM **Copper**
 LOW ARM STD
 STEERING ARM STD
 WHEEL SPACER / MM
 REAR DRIVE BALL DIFF GEAR DIFF
 DIFF SET LOOSE MEDIUM TIGHT OIL # **1k**
 DOGBONE DRIVE BUSHING C-DRIVE BB EVD



TIRES FRONT REAR
 BRAND **Team Powers** **34**
 INSERTS **Premount**
 WHEELS
 ADDITIVE
 MOTOR LAYOUT LONG TRANS. MOTOR **Team Powers**
 SERVO LAYOUT LEFT RIGHT SERVO
 ESC LAYOUT LEFT RIGHT ESC
 BAT. LAYOUT R1 R2 F1 F2 BATTERY
 SPUR PINION RECEIVER
 FINAL DRIVE RATIO MOTOR OFFSET / MM
 BODY WING

BEST LAPTIME **16.0** QUALIF. / FINAL POSITION **2 / 1**
 ESC SETTING
 COMMENTS / IMPRESSIONS
Won A2 and A3
 CONTACT www.awesomatixusa.com