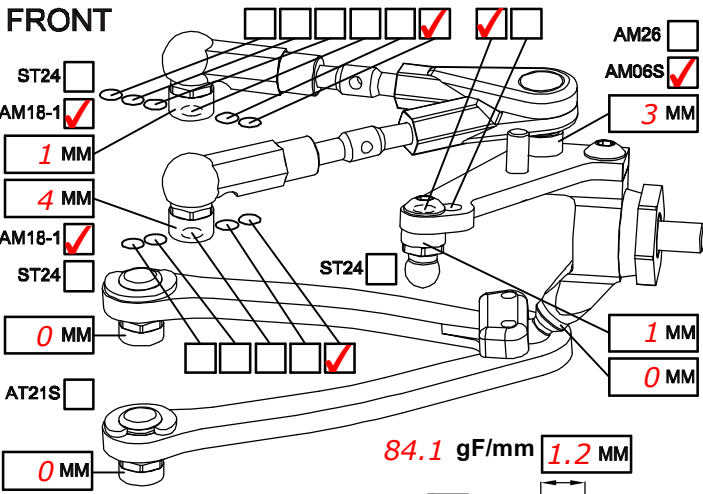
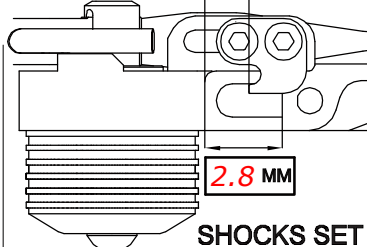


NAME **Viljami Kutvonen**  
 COUNTRY **Finland**  
 RACE **FinTrack Tour 2013 Round 3**  
 TRACK **Laukka Indoor**

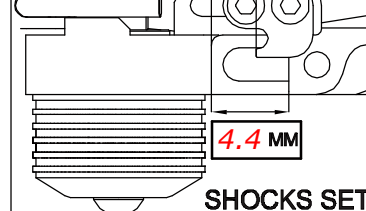
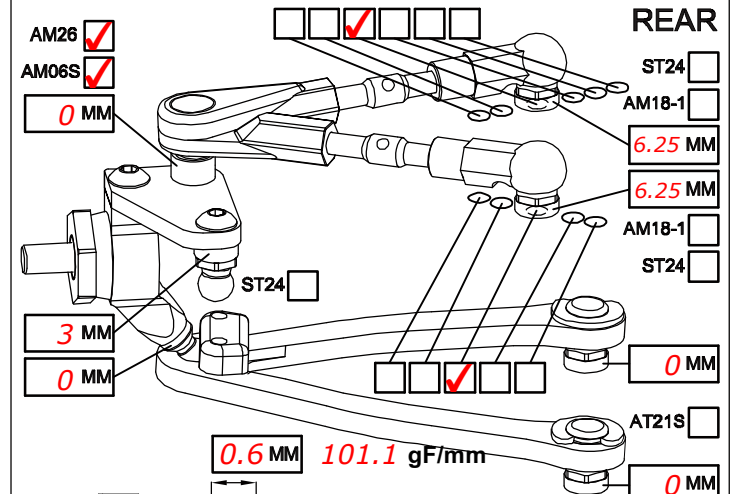
DATE **10.02.2013** TEMP. °C AIR / TRACK °C / °C  
 TRACK CONDITION TECHNICAL  CARPET  ASPHALT   
 MIXED  FAST   
 TRACTION LOW  MEDIUM  HIGH



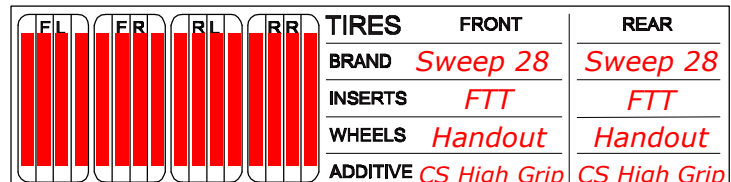
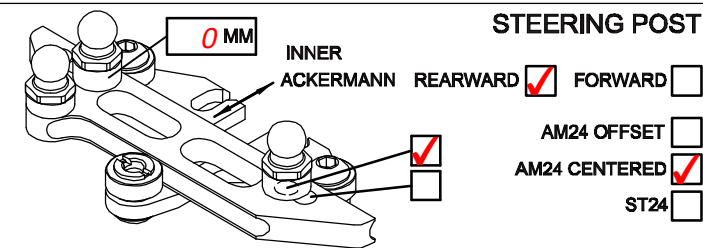
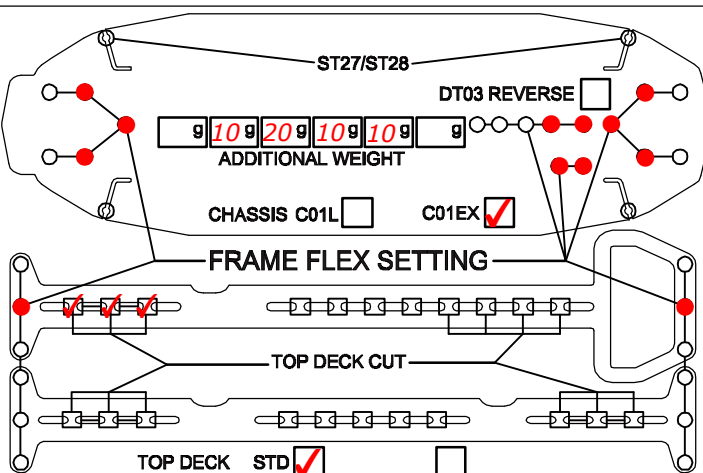
CAMBER ANGLE / ° **1.5**  
 CASTER ANGLE / ° **6**  
 TOE ANGLE / ° **-1**  
 RIDE HEIGHT / MM **5**  
 DOWNSTOP / MM **6.8**  
 UPSTOP / MM **max**  
 STABILIZER Ø / MM **1.1**  
 LOW ARM STD    
 STEERING ARM STD    
 WHEEL SPACER / MM **0**  
 FRONT DRIVE BALL DIFF  GEAR DIFF  SPOOL  ONE-WAY   
 DIFF SET LOOSE  MEDIUM  TIGHT  OIL #   
 DOGBONE DRIVE BUSHING  C-DRIVE  BB  EVD



SPRING STD  S   
 DAMPER #6  #3   
 ACTION SYM.  ASYM.   
 SRS/RHS ARR. I  II



CAMBER ANGLE / ° **1.5**  
 CASTER ANGLE / ° **-1**  
 TOE ANGLE / ° **3**  
 RIDE HEIGHT / MM **5.2**  
 DOWNSTOP / MM **5.4**  
 UPSTOP / MM **max**  
 STABILIZER Ø / MM **1.1**  
 LOW ARM STD    
 STEERING ARM STD    
 WHEEL SPACER / MM **0**  
 REAR DRIVE BALL DIFF  GEAR DIFF   
 DIFF SET LOOSE  MEDIUM  TIGHT  OIL #  **3000**  
 DOGBONE DRIVE BUSHING  C-DRIVE  BB  EVD



MOTOR LAYOUT LONG.  TRANS.  MOTOR **LRP X20 5.0T**  
 SERVO LAYOUT LEFT  RIGHT  SERVO **Sanwa SRG-BLS**  
 ESC LAYOUT LEFT  RIGHT  ESC **LRP Flow WorksTeam**  
 BAT. LAYOUT R1  R2  F1  F2  BATTERY **LRP 6900**  
 SPUR PINION RECEIVER **Sanwa 451R**  
 FINAL DRIVE RATIO MOTOR OFFSET / MM  
 BODY **Protoform Speed6 LW** WING

BEST LAPTIME QUALIF. / FINAL POSITION **1 / 1**  
 ESC SETTING  
 COMMENTS / IMPRESSIONS **Upper shims measured from Topdeck level. Shims under suspension arms measured from milled level.**  
 CONTACT