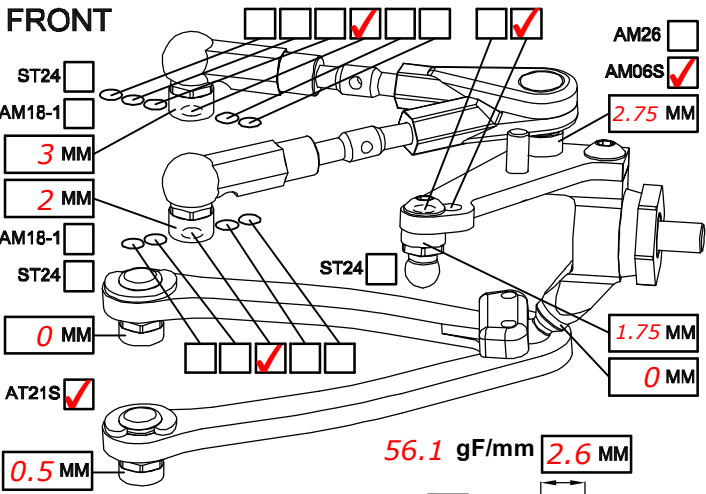
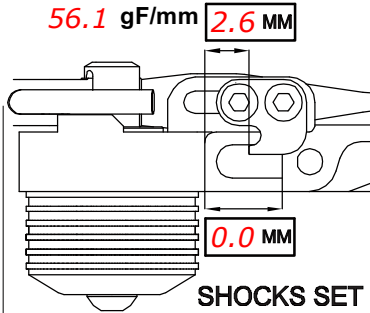


NAME *Viljami Kutvonen*
 COUNTRY _____
 RACE *ETS Round 3 2012-2013 Pro-Stock*
 TRACK *Gran Canaria, Telde*

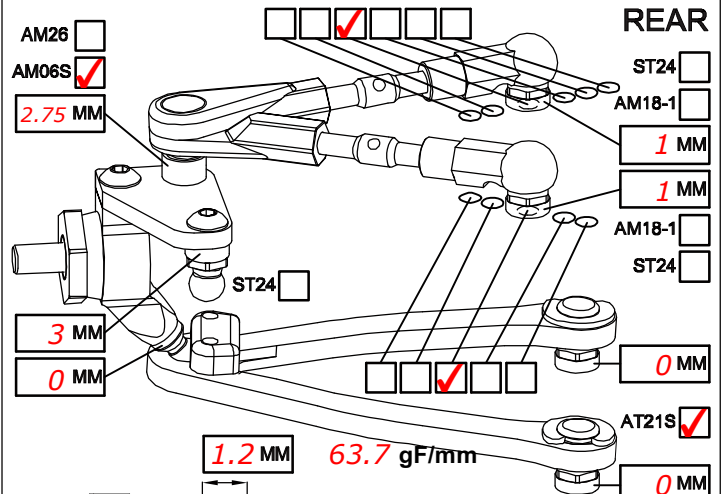
DATE *03.03.2013* TEMP. °C AIR / TRACK °C / °C
 CARPET ASPHALT
 TRACK CONDITION TECHNICAL MIXED FAST
 TRACTION LOW MEDIUM HIGH



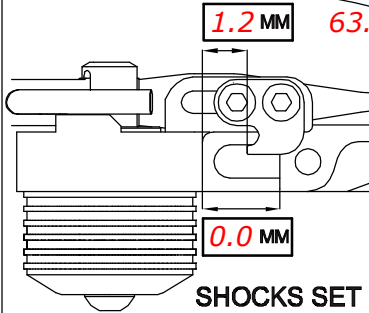
CAMBER ANGLE / ° *2*
 CASTER ANGLE / ° *4*
 TOE ANGLE / ° *0.25 out*
 RIDE HEIGHT / MM *5.0*
 DOWNSTOP / MM *6*
 UPSTOP / MM *max*
 STABILIZER Ø / MM *1.0*
 LOW ARM STD
 STEERING ARM STD
 WHEEL SPACER / MM *0*
 FRONT DRIVE BALL DIFF GEAR DIFF SPOOL ONE-WAY
 DIFF SET LOOSE MEDIUM TIGHT OIL # _____
 DOGBONE DRIVE BUSHING C-DRIVE BB EVD



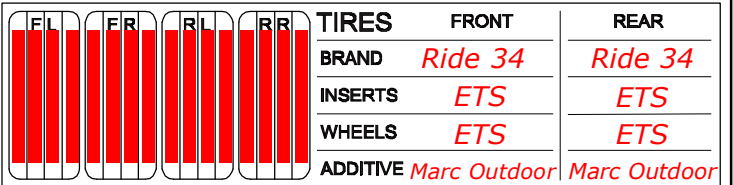
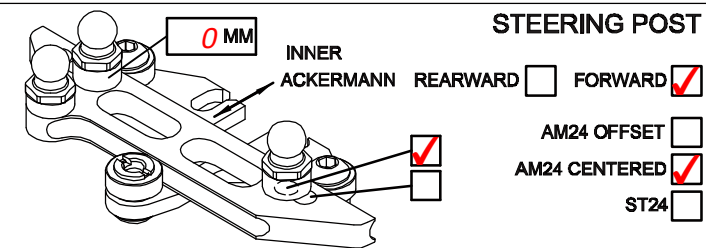
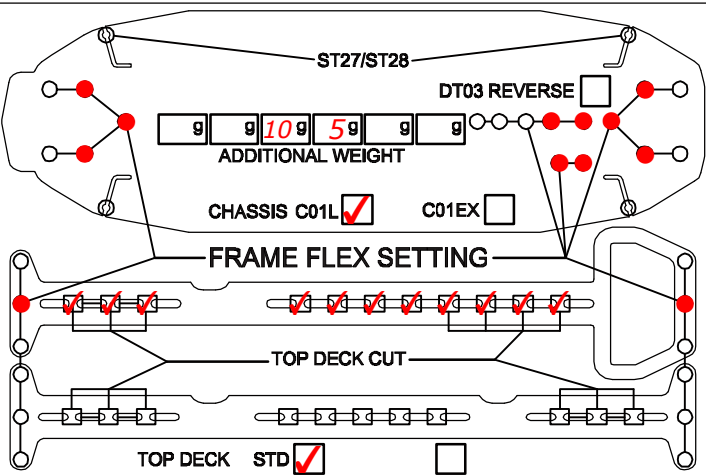
SHOCKS SET
 SPRING STD S
 DAMPER #6 #3
 ACTION SYM. ASYM.
 SRS/RHS ARR. I II



CAMBER ANGLE / ° *1.5*
 CASTER ANGLE / ° *2*
 TOE ANGLE / ° *2.25*
 RIDE HEIGHT / MM *5.2*
 DOWNSTOP / MM *5*
 UPSTOP / MM *max*
 STABILIZER Ø / MM *1.0*
 LOW ARM STD
 STEERING ARM STD
 WHEEL SPACER / MM *0*
 REAR DRIVE BALL DIFF GEAR DIFF
 DIFF SET LOOSE MEDIUM TIGHT OIL # *2000*
 DOGBONE DRIVE BUSHING C-DRIVE BB EVD



SHOCKS SET
 SPRING STD S
 DAMPER #6 #3
 ACTION SYM. ASYM.
 SRS/RHS ARR. I II



MOTOR LAYOUT LONG. TRANS. MOTOR *ETS Pro-Stock*
 SERVO LAYOUT LEFT RIGHT SERVO *Sanwa SRG-BLS*
 ESC LAYOUT LEFT RIGHT ESC *ETS Pro-Stock*
 BAT. LAYOUT R1 R2 F1 F2 BATTERY *LRP 6900*
 SPUR PINION RECEIVER *Sanwa 451R*
 FINAL DRIVE RATIO *4.01* MOTOR OFFSET / MM _____
 BODY *Protoform LTC-R* WING *MR33*

BEST LAPTIME _____ QUALIF. / FINAL POSITION _____ / _____
 ESC SETTING _____
 COMMENTS / IMPRESSIONS _____
 CONTACT _____