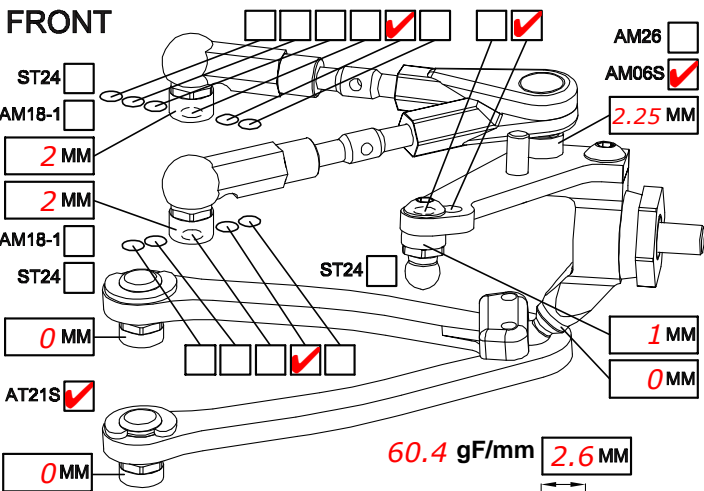
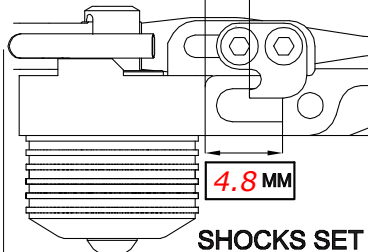


NAME **Larry Fairtrace**  
 COUNTRY **USA**  
 RACE **Club Race - season opener**  
 TRACK **Horsham RC**

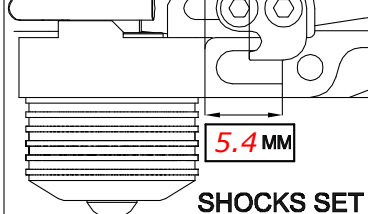
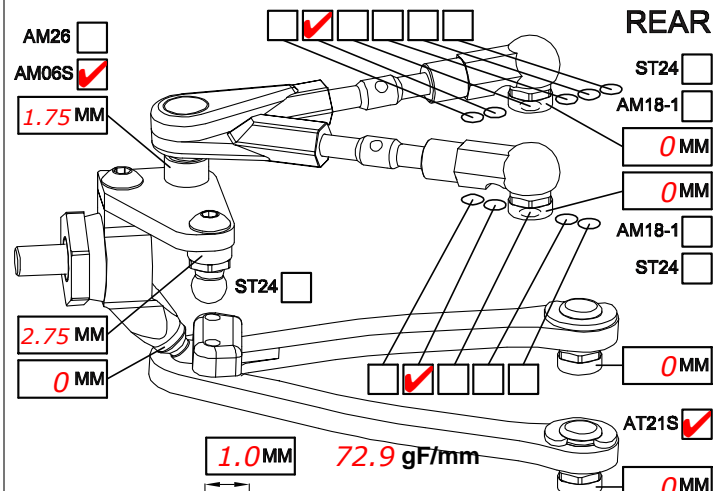
DATE **05 Oct 2013** TEMP.°C AIR / TRACK **79°F / 79°F**  
 TRACK CONDITION TECHNICAL  MIXED  FAST   
 TRACTION LOW  MEDIUM  HIGH



CAMBER ANGLE / ° **1.5**  
 CASTER ANGLE / ° **5**  
 TOE ANGLE / ° **-1**  
 RIDE HEIGHT / MM **5.5**  
 DOWNSTOP / MM **6**  
 UPSTOP / MM **NA**  
 STABILIZER Ø / MM **1.1**  
 LOW ARM STD    
 STEERING ARM STD    
 WHEEL SPACER / MM **0**

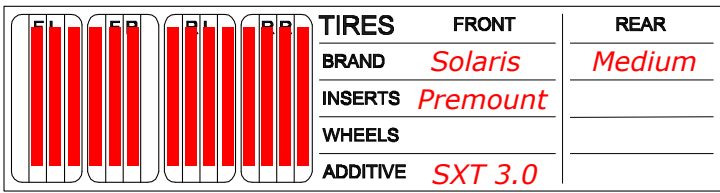
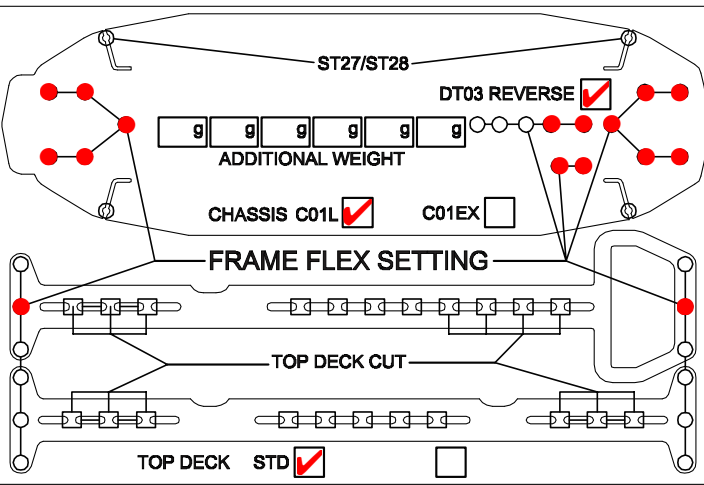


SPRING STD  S   
 DAMPER #6  #3   
 ACTION SYM.  ASYM.   
 SRS/RHS ARR. I  II   
 FRONT DRIVE BALL DIFF  GEAR DIFF  SPOOL  ONE-WAY   
 DIFF SET LOOSE  MEDIUM  TIGHT  OIL #   
 DOGBONE DRIVE BUSHING  C-DRIVE  BB  EVD

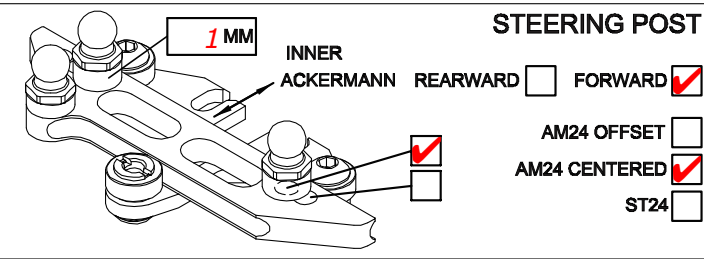


CAMBER ANGLE / ° **2.5**  
 CASTER ANGLE / ° **0**  
 TOE ANGLE / ° **3.5**  
 RIDE HEIGHT / MM **5.5**  
 DOWNSTOP / MM **5.25**  
 UPSTOP / MM **NA**  
 STABILIZER Ø / MM **1.1**  
 LOW ARM STD    
 STEERING ARM STD    
 WHEEL SPACER / MM **0**

SPRING STD  S   
 DAMPER #6  #3   
 ACTION SYM.  ASYM.   
 SRS/RHS ARR. I  II   
 REAR DRIVE BALL DIFF  GEAR DIFF   
 DIFF SET LOOSE  MEDIUM  TIGHT  OIL # **2K**  
 DOGBONE DRIVE BUSHING  C-DRIVE  BB  EVD



MOTOR LAYOUT LONG  TRANS.  MOTOR **ORCA 17.5**  
 SERVO LAYOUT LEFT  RIGHT  SERVO **Sanwa**  
 ESC LAYOUT LEFT  RIGHT  ESC **ORCA VX**  
 BAT. LAYOUT R1  R2  F1  F2  BATTERY **ORCA 7000**  
 SPUR **82** PINION **BIG**  
 RECEIVER **Sanwa**  
 FINAL DRIVE RATIO  
 MOTOR OFFSET / MM **0**  
 BODY  
 WING



BEST LAPTIME **10.0** QUALIF. / FINAL POSITION **1 / 1**  
 ESC SETTING  
 COMMENTS / IMPRESSIONS **AM19 front and rear;**  
**Added 0.4mm to both front and rear dampener (A value) to reduce roll/prevent excessive scrub marks on side of chassis**  
 CONTACT