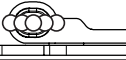
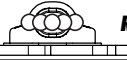


### Track Info

**Size:** Small  Medium  Large  XL   
**Surface:** Carpet  Asphalt   
 Indoor  Outdoor   
**Traction:** Low  Medium   
 High  Wet   
**Condition:** Bumpy  Smooth   
**Temperature:** Ambient  Track

### Roll Centers

**FF**  **RF**  
 Shim: \_\_\_\_\_ Shim: \_\_\_\_\_  
**FR**  **RR**  
 Shim: \_\_\_\_\_ Shim: \_\_\_\_\_

### Notes

Front	Transmission	Rear
<input type="checkbox"/>	Solid Axle	<input type="checkbox"/>
<input type="checkbox"/>	Gear Diff	<input type="checkbox"/>
	Fluid	
	Mass w/Fluid	

Spur: \_\_\_\_\_ Pinion: \_\_\_\_\_ FDR: \_\_\_\_\_

### Notes

Front	Shocks	Rear
	Spring	
	Piston	
	Fluid	
	Rebound	
	Stroke	
	Anti-Roll Bar	

### Notes

### Body & Wing

**Body:** \_\_\_\_\_ **Position:** \_\_\_\_\_  
**Wing:** \_\_\_\_\_ **Position:** \_\_\_\_\_

### Notes





### Electronics

**Motor:** \_\_\_\_\_ **Timing:** \_\_\_\_\_  
**Battery:** \_\_\_\_\_ **Mass:** \_\_\_\_\_  
**ESC:** \_\_\_\_\_ **Settings:** \_\_\_\_\_  
**Radio:** \_\_\_\_\_ **Servo:** \_\_\_\_\_  
**Turn Circle:** \_\_\_\_\_ **STR Expo:** \_\_\_\_\_  
**Brake Expo:** \_\_\_\_\_ **THR Expo:** \_\_\_\_\_

### Notes

### Tires

**Tires:** \_\_\_\_\_  
**Insert:** \_\_\_\_\_ **Wheel:** \_\_\_\_\_  
**Tire Diameter (F/R):** \_\_\_\_\_  
**Additive (F/R):** \_\_\_\_\_  
**Additive Timing:**

Left FR	Right FR	Left RR	Right RR
			

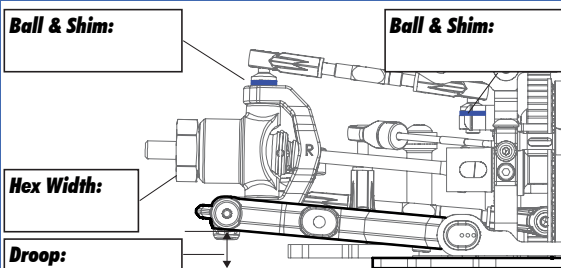
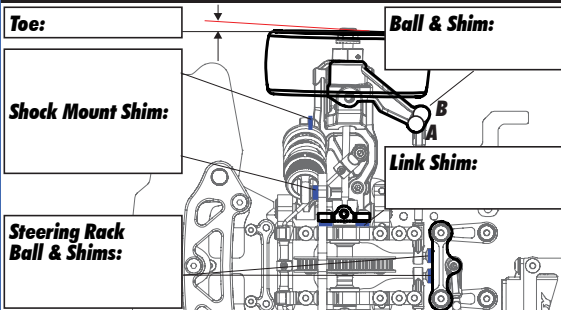
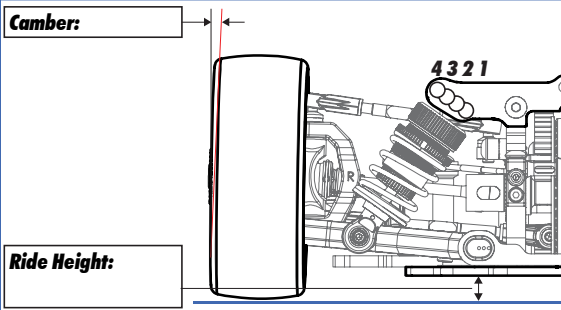
### Notes

:: Team Associated

**Driver:** \_\_\_\_\_ **Date:** \_\_\_\_\_  
**Track:** \_\_\_\_\_ **Event:** \_\_\_\_\_  
**Qualify:** \_\_\_\_\_ **Best Lap Time:** \_\_\_\_\_ **Main:** \_\_\_\_\_ **Finish:** \_\_\_\_\_



### Front

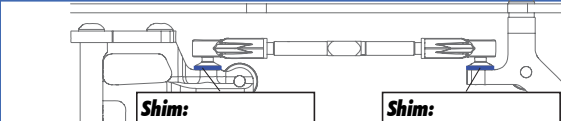


### Notes

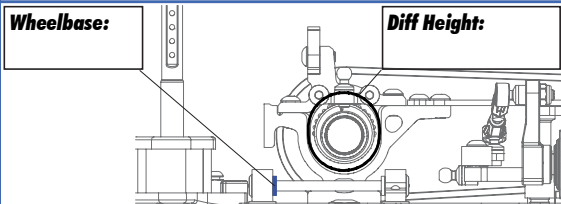
### Inline Flex Mount



### Pitch Control System

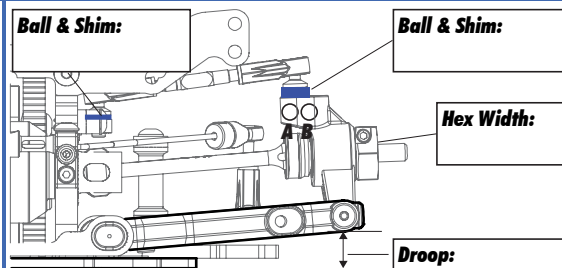
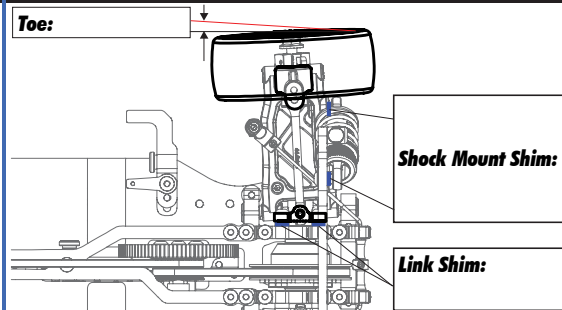
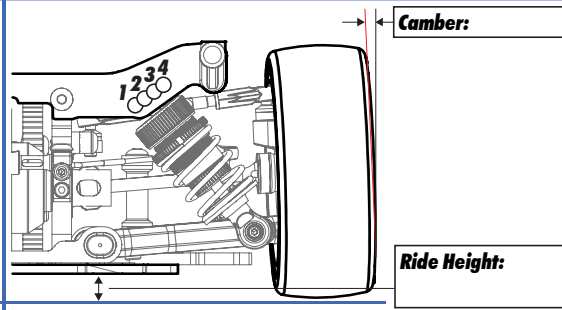


### Notes



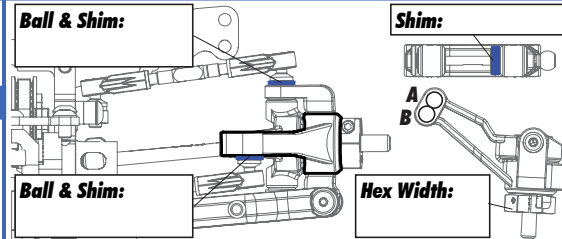
### Notes

### Rear

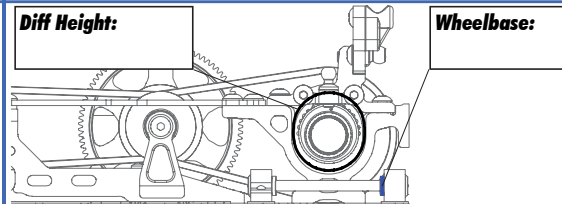


### Notes

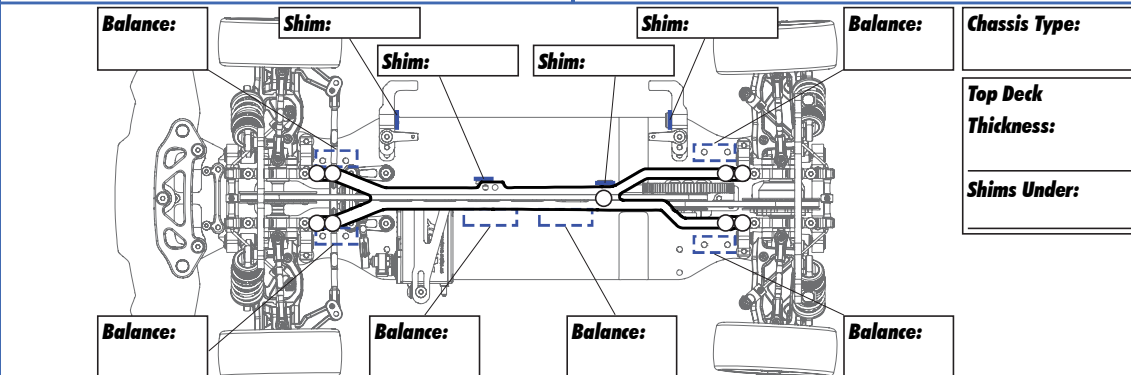
### Dynamic Toe Control



### Notes



### Notes



**Chassis Type:** \_\_\_\_\_  
**Top Deck Thickness:** \_\_\_\_\_  
**Shims Under:** \_\_\_\_\_

PetitRC: