

Track Info:

Size: Sm Med Lg XL

Surface: Carpet Asphalt
Indoor Outdoor

Traction: Low High Medium
Wet

Condition: Bumpy Smooth

Temperature: Ambient 90+ Track 120+

Driver: Paul Wynn
Track: Valkaria RC Raceway
Quality: 5 **Best Lap Time:** 13.1

Date: 9/30/2018
Event: FSEARA Rd 1
Main: A **Finish:** 3



Roll Centers:

FF **RF**

Shim: 1mm **Shim:** 1mm

FR **RR**

Shim: 1mm **Shim:** .5mm

Notes:

Front Transmission: **Rear:**

Solid Axle: **Gear Diff:**

Fluid: AE 10k
Mass w/Fluid: 22.6g

Spur: 87 **Pinion:** 24 **FDR:**

Notes:

Front Shocks: **Rear:**

2.8 RP **Spring:** 2.8 RP
4x1.1 **Piston:** 4x1.1
37.5 AE **Fluid:** 37.5 AE
0 **Rebound:** 0
9.5mm **Stroke:** 9.5mm
1.2 **Anti-Roll Bar:** 1.3

Notes: x-rings - stock bladders

Body & Wing:

Body: JC A1R LW **Position:** fwd 3mm
Wing: JC HD Thick **Position:** fwd 3mm

Notes:

Electronics:

Motor: Reedy 5.0 **Timing:** 20°
Battery: Reedy 6000 **Mass:** 275g
ESC: Reedy 510R **Settings:**
Radio: Sanwa M12 **Servo:** Reedy 0806
Turn Circle: 27° **STR Expo:** 0
Brake E.P.: 72% **THR Expo:** 100%

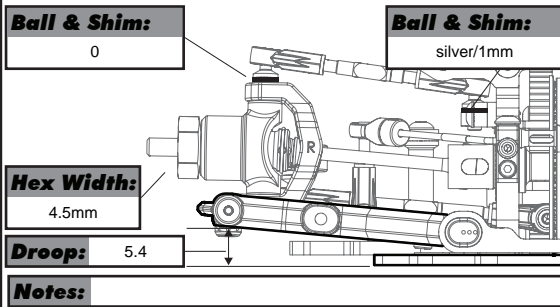
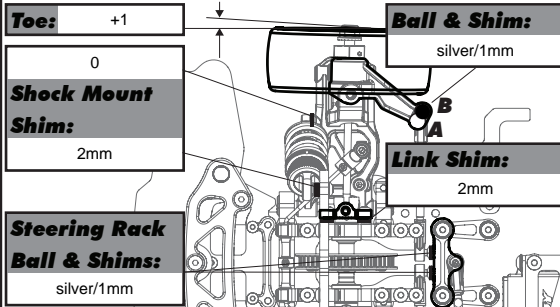
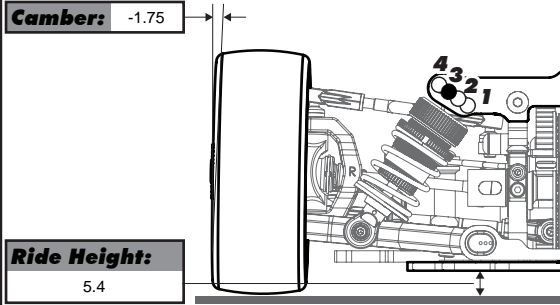
Notes: 12.3 rotor - fan behind motor

Tires:

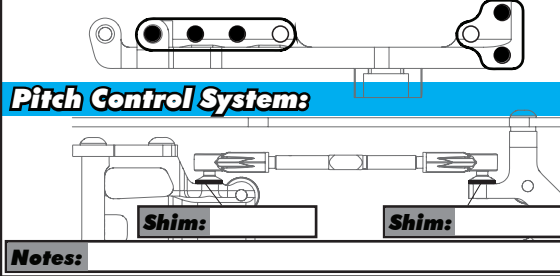
Tires: Spec Solaris 36J
Insert: **Wheel:**
Tire Diameter (F/R):
Additive (F/R): LG1
Additive Timing: 10 mins - 56° C
Left FR **Right FR** **Left RR** **Right RR**

Notes:

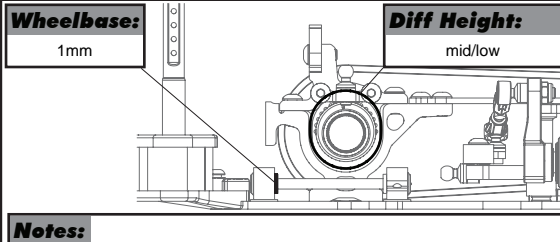
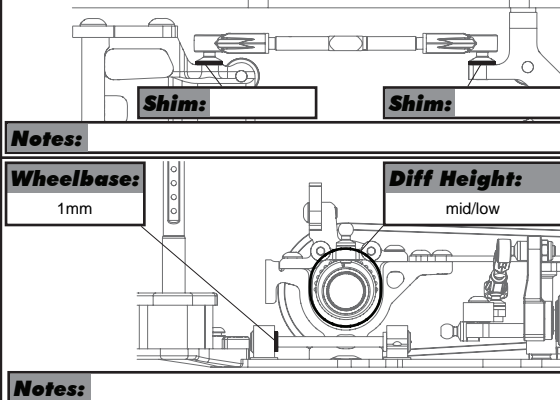
Front:



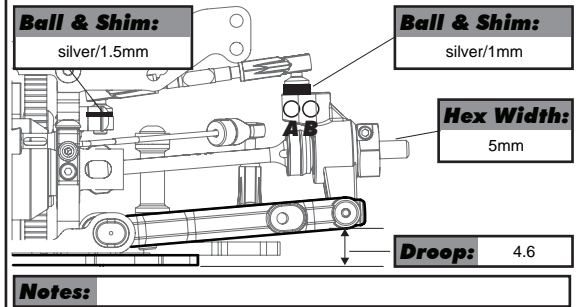
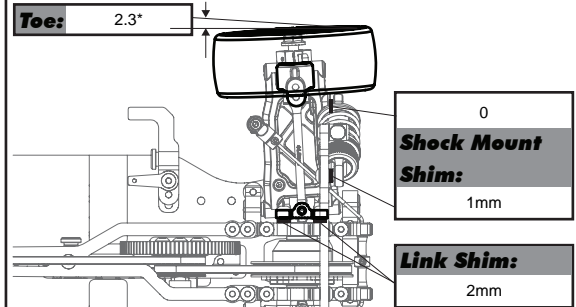
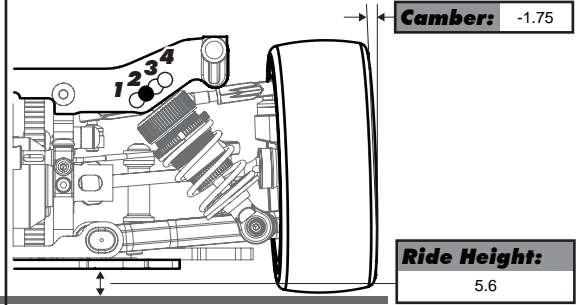
Inline Flex Mount:



Pitch Control System:



Rear:



Dynamic Toe Control:

