

### Track Info:

**Size:** Sm  Med  Lg  XL

**Surface:** Carpet  Asphalt   
Indoor  Outdoor

**Traction:** Low  Medium   
High  Wet

**Condition:** Bumpy  Smooth

**Temperature:** Ambient  Track

**Driver:** Karri Salmela

**Date:** 2/16/2019

**Track:** FSRC

**Event:** FTT 2

**Quality:** 1 **Best Lap Time:** 11.75

**Main:** A **Finish:** 1



### Roll Centers:

**FF** **RF**

**Shim:** 0mm **Shim:** 0,6mm

**FR** **RR**

**Shim:** 0,2mm **Shim:** 0,6mm

**Notes:**

### Front Transmission: Rear

**Solid Axle:**

**Gear Diff:**

**Fluid:** 10K

**Mass w/Fluid:** 2g/22,65g

**Spur:** 106 **Pinion:** 28 **FDR:** 7,56

**Notes:**

### Front Shocks: Rear

Yellow **Spring:** Yellow

4x1,1G **Piston:** 4x1,1G

35 AE **Fluid:** 35 AE

5% **Rebound:** 5%

9,5mm **Stroke:** 9,5mm

Blue **Anti-Roll Bar:** Grey

**Notes:**

### Body & Wings:

**Body:** MT Racer **Position:** little front

**Wing:** JConcepts A1 **Position:** Middle

**Notes:**

### Electronics:

**Motor:** Reedy M3 **Timing:** 20

**Battery:** Reedy 4100 **Mass:** 156g

**ESC:** Reedy 510R **Settings:**

**Radio:** Sanwa **Servo:** RS0808

**Turn Circle:** **STR Expo:** -7

**Brake E.P.:** 100 **THR Expo:** 0

**Notes:** LP shorty with tape. Weight plate under and banded.

### Tires:

**Tires:** Volante V3

**Insert:** **Wheel:**

**Tire Diameter (F/R):**

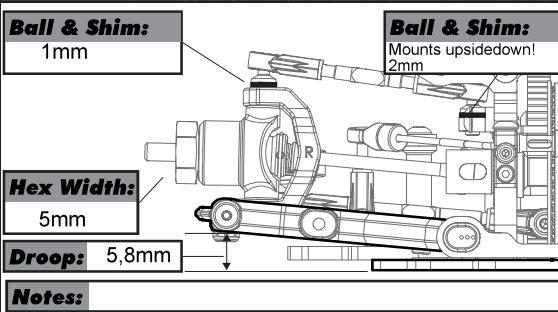
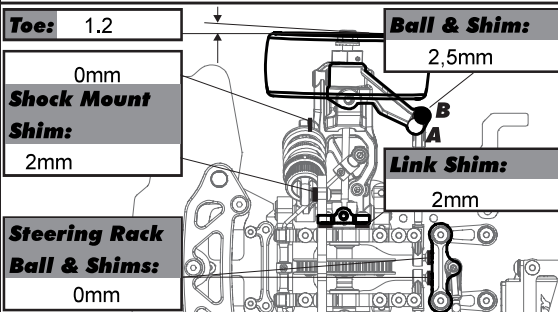
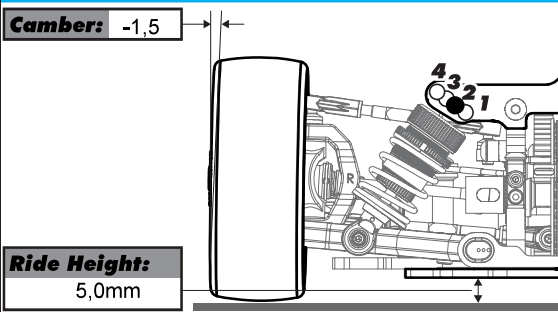
**Additive (F/R):** MG Yellow/Phub

**Additive Timing:** 10 min

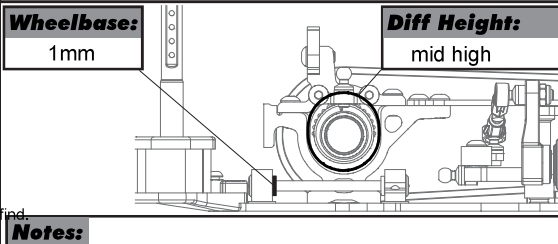
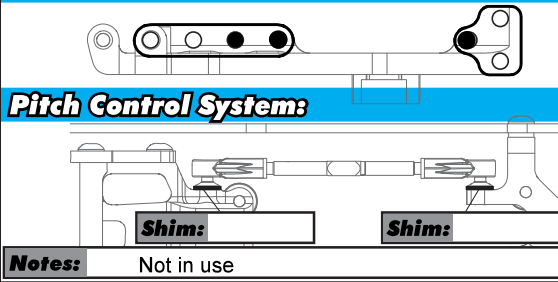
**Left FR** **Right FR** **Left RR** **Right RR**

**Notes:** Whole tire

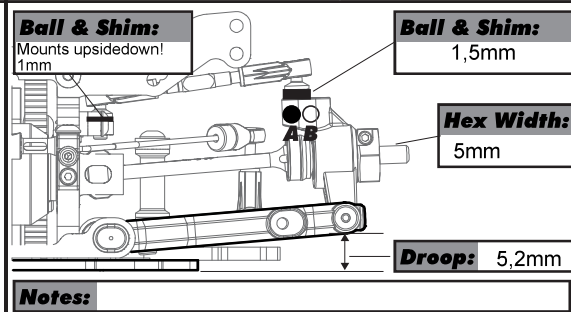
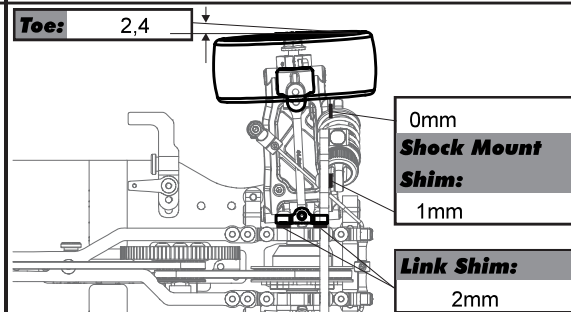
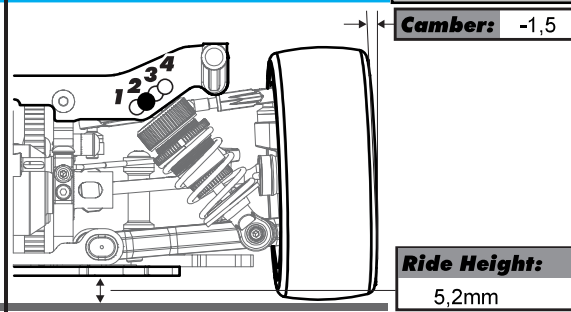
### Front:



### Inline Flex Mount:



### Rear:



### Dynamic Toe Control:

