

Track Info:

Size: Sm Med Lg XL

Surface: Carpet Asphalt
Indoor Outdoor

Traction: Low Medium
High Wet

Condition: Bumpy Smooth

Temperature: Ambient Track

Roll Centers:

FF **RF**
Shim: 0mm **Shim:** 0,5mm

FR **RR**
Shim: 0mm **Shim:** 0,5mm

Notes:

Front Transmission: Rear

Solid Axle:

Gear Diff:

Fluid: 10K

Mass w/Fluid: 2g/22,65g

Spur: 106 **Pinion:** 28 **FDR:** 7,56

Notes:

Front Shocks: Rear

Yellow **Spring:** Yellow

4x1,1G **Piston:** 4x1,1G

35 AE **Fluid:** 35 AE

5% **Rebound:** 5%

9,5mm **Stroke:** 9,5mm

Blue **Anti-Roll Bar:** Grey

Notes:

Body & Wings

Body: MT Racer **Position:** little front

Wings: JConcepts A1 **Position:** Middle

Notes:

Electronics

Motor: Reedy M3 **Timing:** 20

Battery: Reedy 6000 **Mass:** 270g

ESC: Reedy 510R **Settings:**

Radio: Sanwa **Servo:** RS0808

Turn Circle: **STR Expo:** -7

Brake E.P.: 100 **THR Expo:** 0

Notes:

Tires

Tires: Volante V3

Insert: **Wheel:**

Tire Diameter (F/R):

Additive (F/R): MG Yellow

Additive Timing: 20 min

Left FR **Right FR** **Left RR** **Right RR**

Notes: Whole tire

Driver: Karri Salmela

Date: 1/19/2019

Track: Kuusankoski

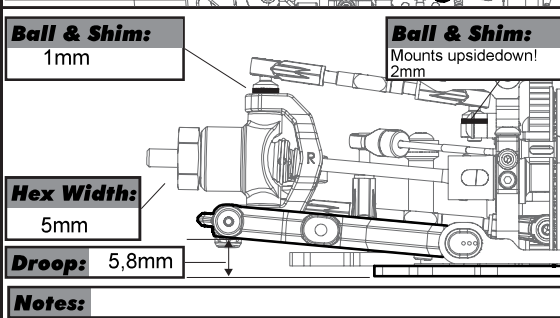
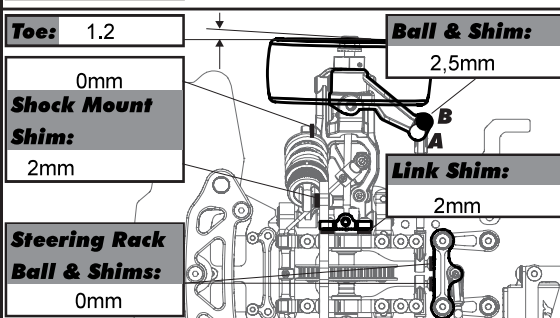
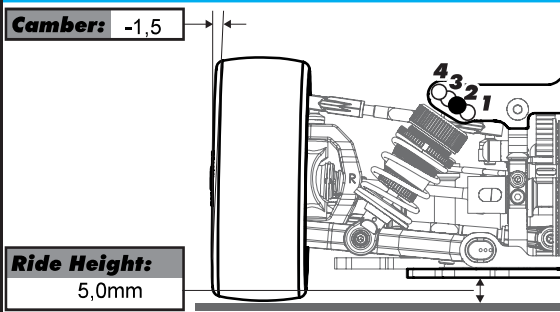
Event: FTT 2

Quality: 3 **Best Lap Time:** 14.1

Main: A **Finish:** 2

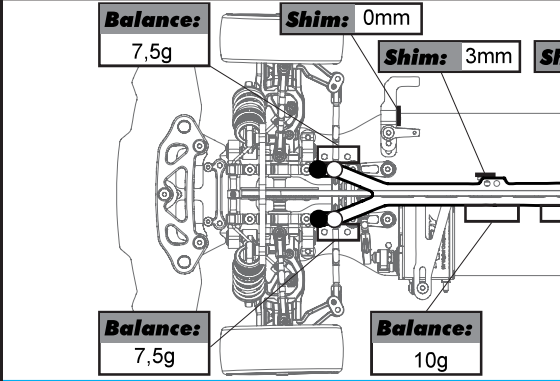
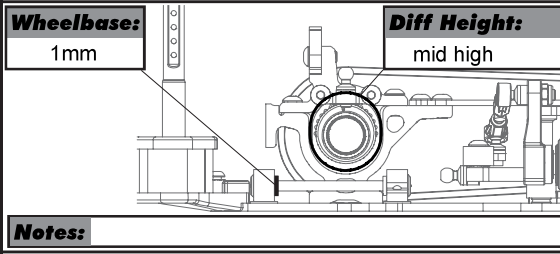
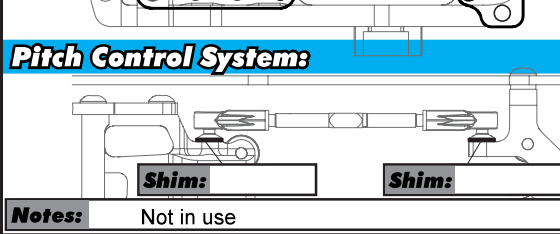


Front:

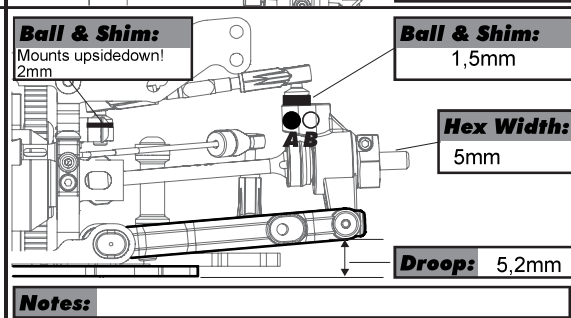
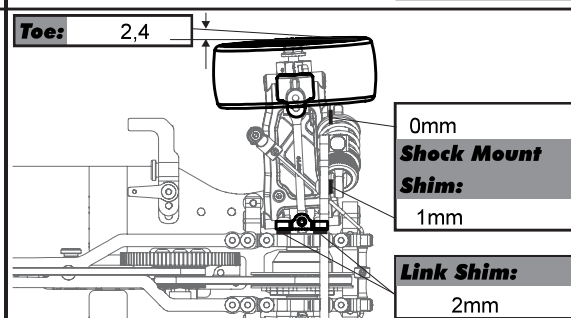
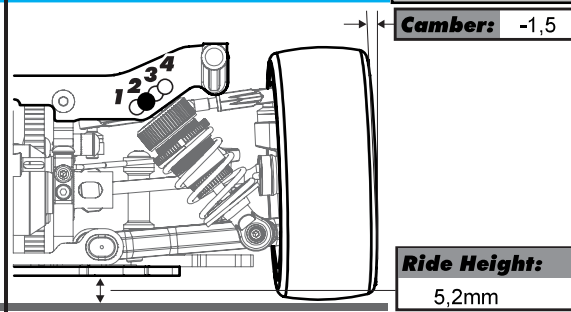


Notes:

Inline Flex Mount:

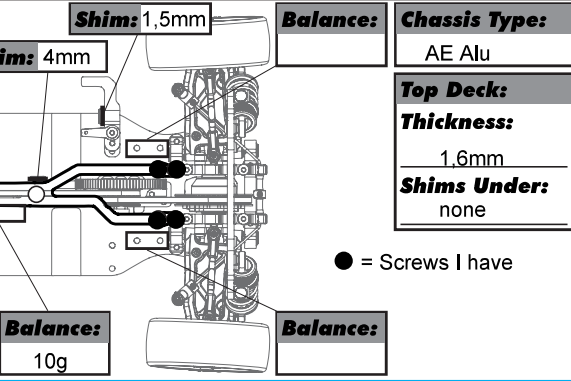
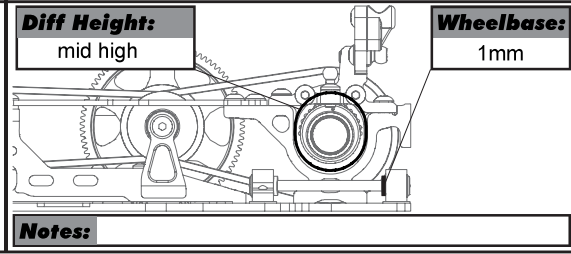
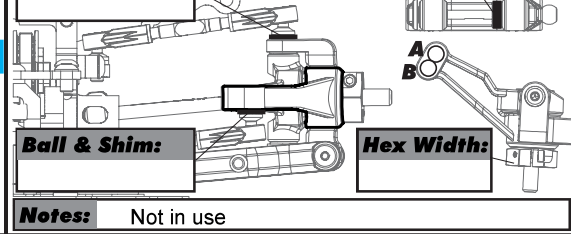


Rear:



Notes:

Dynamic Toe Control:



● = Screws I have