

Track Info:

Size: Sm Med Lg XL

Surface: Carpet Asphalt
Indoor Outdoor

Traction: Low Medium
High Wet

Condition: Bumpy Smooth

Temperature: Ambient 80F Track

Driver: Eric Epp

Date: 9/2/2018

Track: Steel City RC Speedway

Event: PROTOform Cup - USGT

Quality: 1 **Best Lap Time:** 15.4

Main: A **Finish:** 1



Roll Centers:

FF **RF**

Shim: .5 **Shim:** .5

FR **RR**

Shim: .5 **Shim:** .5

Notes:

Front Transmission: Rear

Solid Axle:

Gear Diff:

Fluid: 5000

Mass w/Fluid: 22.2g

Spur: 96 **Pinion:** 53 **FDR:** 3.6

Notes:

Front Shocks: Rear

SMJ Yellow Spring: Xray 2.7

Stock Piston: Stock

AE 35 Fluid: AE 35

0 Rebound: 0

9.5 Stroke: 9.5

1.2 Anti-Roll Bar: 1.3

Notes: 1mm hole in cap

Body & Wing:

Body: PF Ford GT **Position:** Neutral

Wing: PF Ford GT **Position:** Neutral

Notes:

Electronics:

Motor: Handout Reedy 17.5 FT **Timing:** Fixed

Battery: Reedy 8200 **Mass:** 330g

ESC: Reedy 510R **Settings:** Blinky

Radio: Sanwa M12S **Servo:** PowerHD Storm7

Turn Circle: 26 **STR Expo:** -15

Brake E.P.: **THR Expo:**

Notes: 40mm WTF Fan - 0% Drag Brake

Tires:

Tires: Gravity USGT Spec

Insert: Stock **Wheel:** Gravity Spoke

Tire Diameter (F/R):

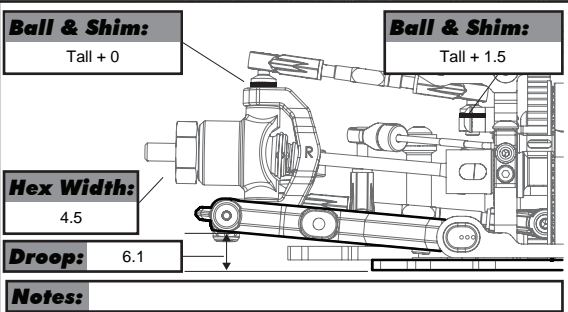
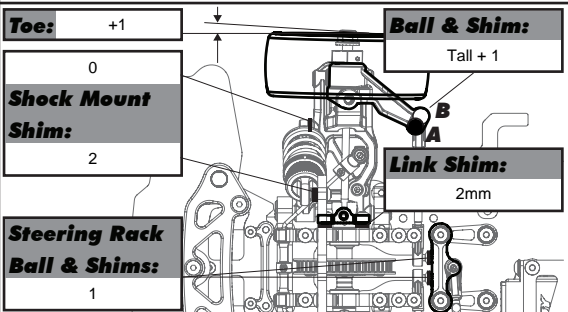
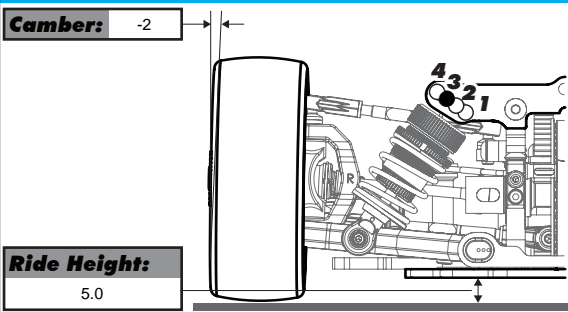
Additive (F/R): Tire Tweak 40 mins, then wipe

Additive Timing: MG Yellow 10 mins

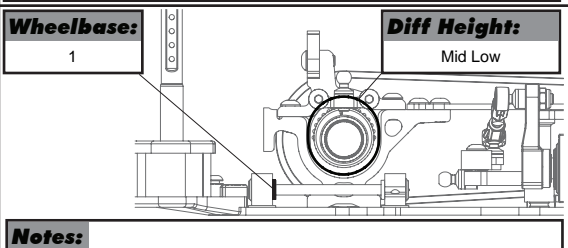
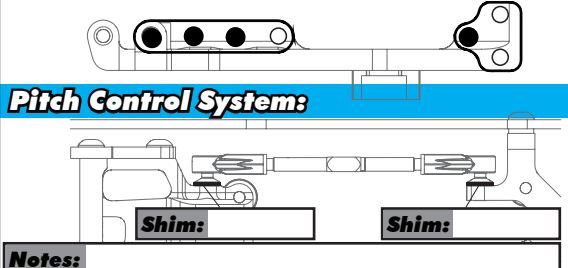
Left FR Right FR Left RR Right RR

Notes: 20g in front bumper

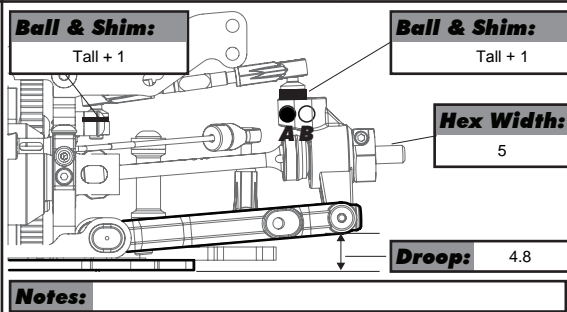
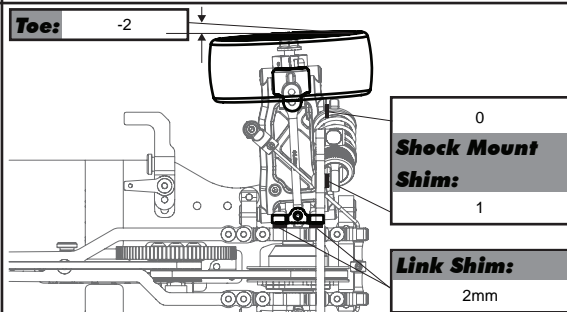
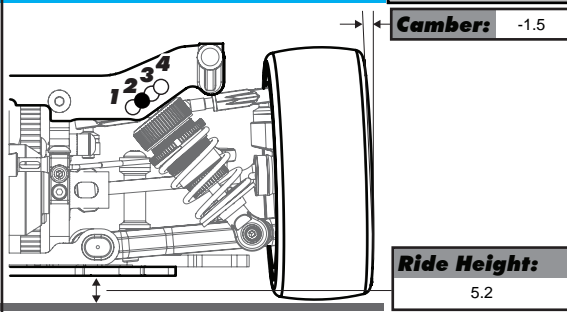
Front:



Inline Flex Mount:



Rear:



Dynamic Toe Control:

