

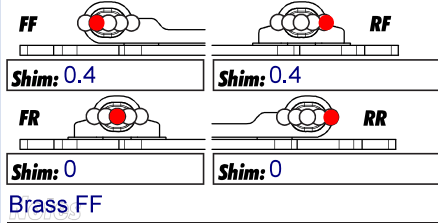
Track Info

Size: Small Medium Large XL
Surface: Carpet Asphalt
 Indoor Outdoor
Traction: Low Medium
 High Wet
Condition: Bumpy Smooth
Temperature: Ambient _____ Track _____

Driver: BW **Date:** _____
Track: 5280 Raceway **Event:** _____
Qualify: _____ **Best Lap Time:** _____ **Main:** _____ **Finish:** _____



Roll Centers



Front **Transmission** **Rear**
 Solid Axle
 Gear Diff
 Fluid 7k
 Mass w/Fluid 22.7g

Spur: 114 Pinion: 29 FDR: 7.86

Notes

Front	Shocks	Rear
Xray 2.5-2.8	Spring	Xray 2.6
AE 1.1 G	Piston	AE 1.1 G
AE 35wt	Fluid	AE 37.5wt
25%	Rebound	25%
Stroke		
1.5	Anti-Roll Bar	1.3

Notes

Body & Wing

Body: Type S **Position:** Middle
Wing: Type S **Position:** Forward

Notes

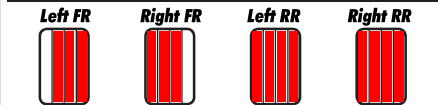
Electronics

Motor: Mach 3 5.0 **Timing:** _____
Battery: Reedy 6000 **Mass:** _____
ESC: Reedy 510r **Settings:** _____
Radio: Futba 4PX **Servo:** Xpert PI-3401
Turn Circle: _____ **STR Expo:** -15
Brake Expo: _____ **THR Expo:** -10

Notes

Tires

Tires: Jaco Blue
Insert: Jaco **Wheel:** Jaco
Tire Diameter (F/R): _____
Additive (F/R): SXT 3.0
Additive Timing: 6 min

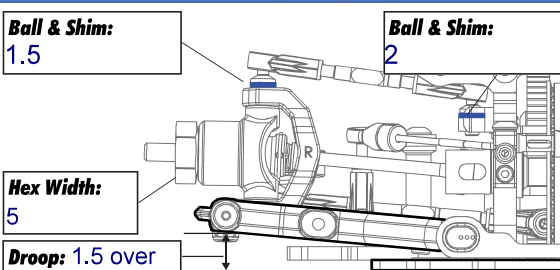
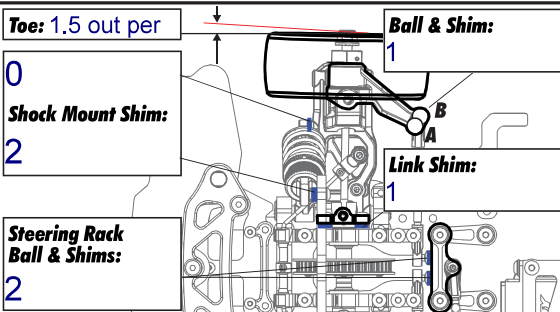
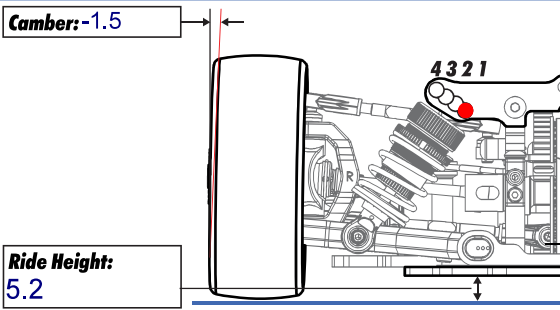


59.5 glue

Notes

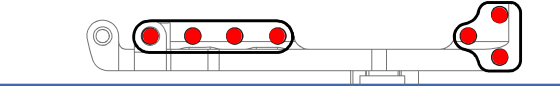
:: Team Associated

Front

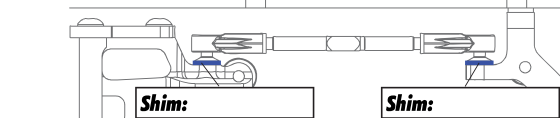


Notes

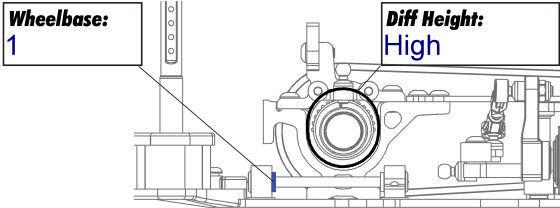
Inline Flex Mount



Pitch Control System

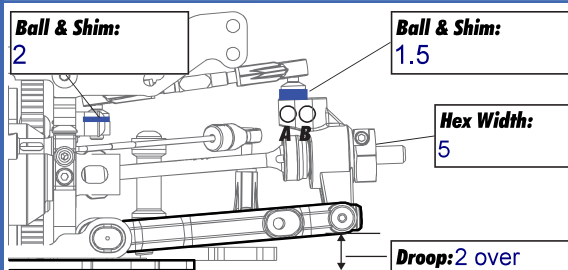
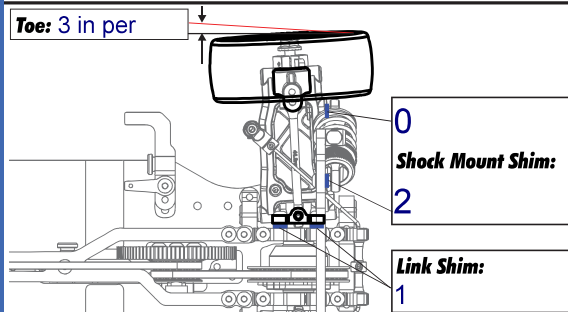
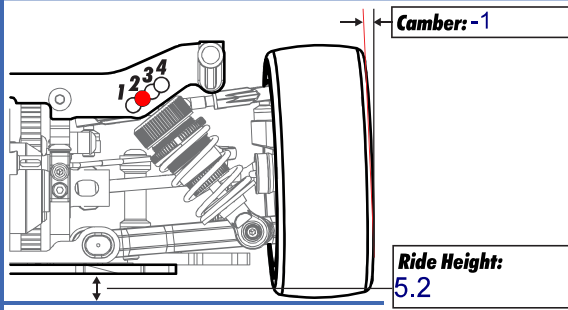


Notes



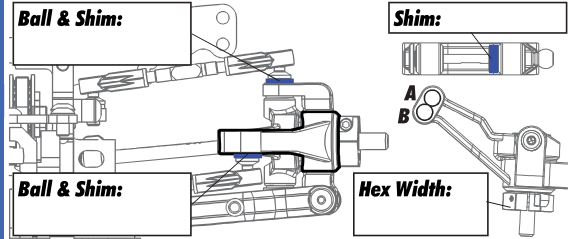
Notes

Rear

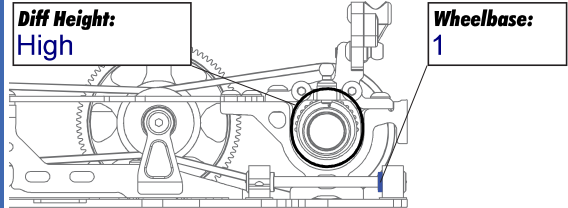


Notes

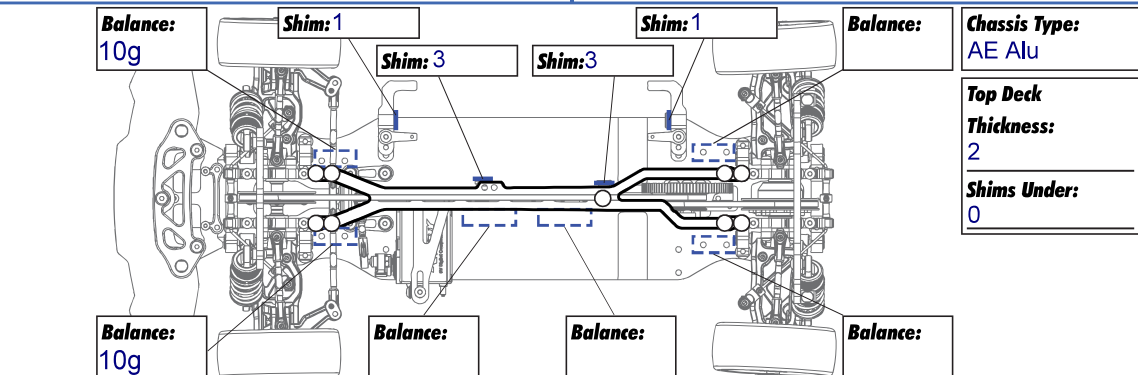
Dynamic Toe Control



Notes



Notes



PetitRC: