

Setup Sheet

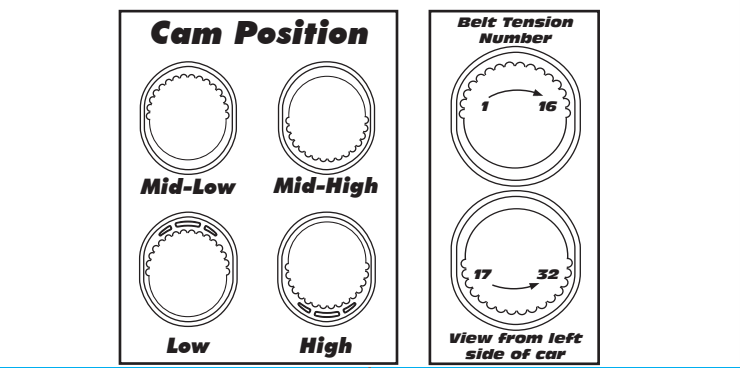
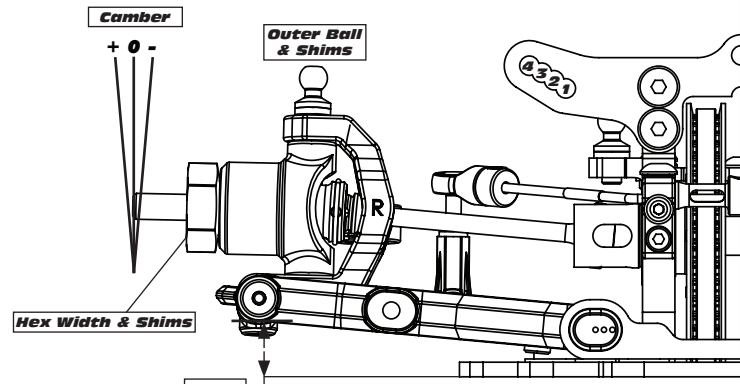
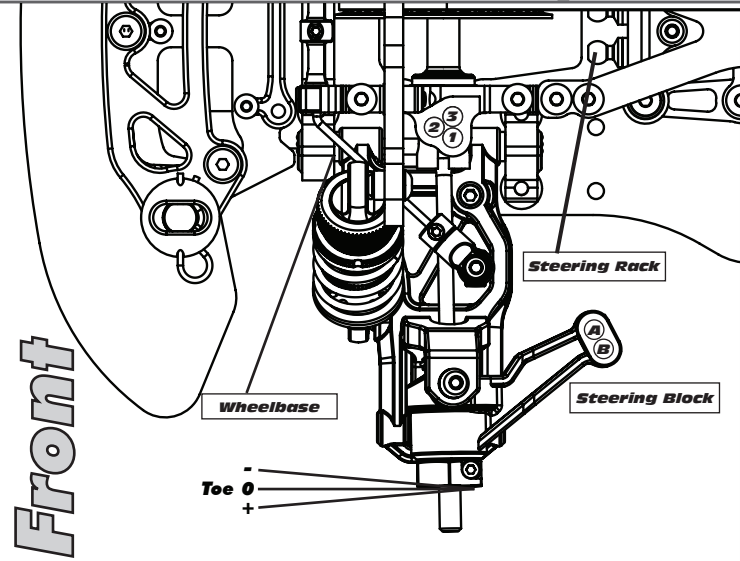
Track: Indoor Racing Chilelli

Event: UISP Nationals

Conditions: Indoor Asphalt - Technical track - very high grip -

8th final position

Rev:1



Front	Alignment	Rear
5.2	Ride Height	5.2
1.2	Camber	1.5
4	Caster	N/A
+1.5	Toe	-2
4+0.5	Hex Width & Shims	5
1	Wheelbase	1
Long +0.5	Steering Rack Ball & Shims	N/A
B	Steering Block Position	N/A
Long +1	Steering Block Ball & Shims	N/A

Notes: steering posts linked with single carbon plate

Suspension Geometry		
2	Shock Position	2
2	Camber Link Position	1
Long +1	Inner Ball & Shims	Long +1.5
Long +1	Outer Ball & Shims	Long +2
2 out	Outer Arm Mount Insert	1
0	Outer Mount Shims	0.5
1	Inner Arm Mount Insert	3 out
1	Inner Mount Shims	0.5
5.8	Droop	5.0
1.3	Anti-Roll Bar	1.2

Notes:

Shocks		
AE35	Fluid	AE35
4 x 1.1G	Piston	4 x 1.1G
35%	Rebound	35%
SMJ Red	Spring	SMJ Blue

Notes: Xrings inside

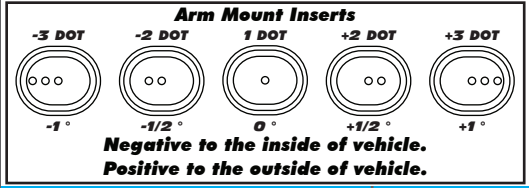
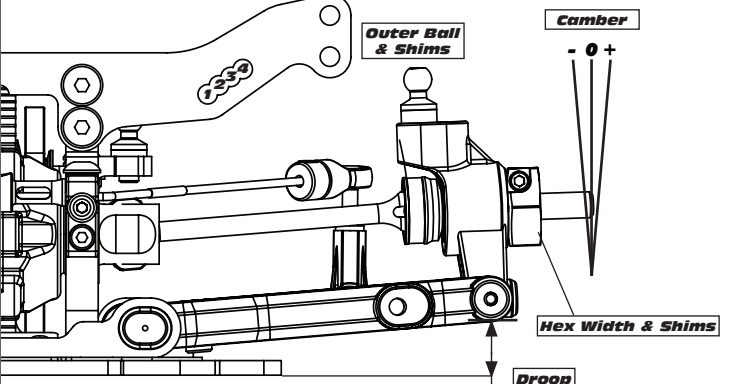
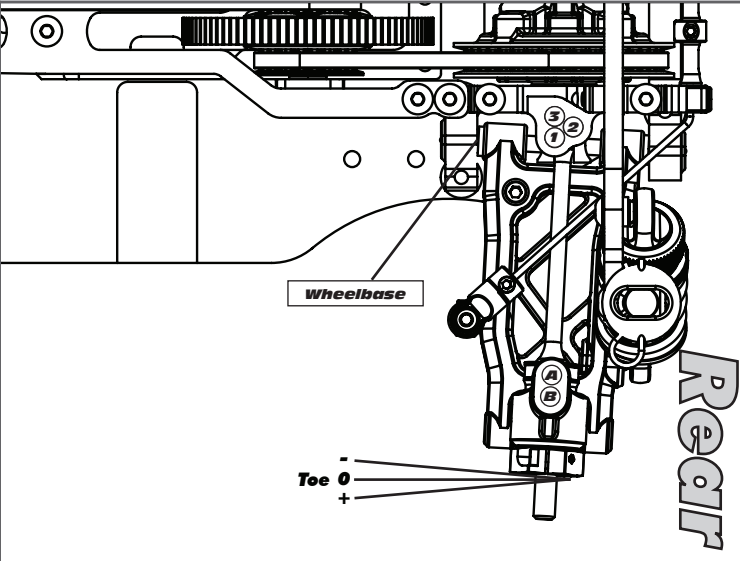
Differentials		
Spool	Type	Diff
-	Fluid	AE 10K
-	Diff Weight with Fluid	22.4
-	Cam Position	-
-	Belt Tension Number	-

Notes:

Tires		
LRP G32	Type	LRP G32
	Tire Diameter	
	Insert & Wheel	
LRP	Additive & Amount	LRP

Notes: Handout tires & additive

Chassis		
Chassis:	AE Aluminium with central link stiffener	
Top Plate:	Carbon only 4 screws	
Notes:	30g front, 20g rear, 20g center	



Transmitter		Speed Control	
Turning Circle:	26°	E.S.C. Type:	Reedy
Steering Expo:	-20	E.S.C. Settings:	Blinky
Brake E.P. :	-	Software Version:	std
Throttle Expo:	-	Notes:	std

Battery		Body & Wing	
Battery Weight:	Reedy Zappers	ProtoForm Ltrc / Bittydesign M410	
Battery Position:	Forward	ProtoForm precut wing	
Notes:		Notes:	

Motor		Gearing	
Handout Hobbywing Justock		100	/ 40
Notes:		Notes:	