

Front	Alignment	Rear
5mm	Ride Height	5.2mm
2	Camber	2
4	Caster	N/A
.5	Toe	2
5mm	Hex Width & Shims	5mm
1mm	Wheelbase	1mm
1mm	Steering Rack Ball & Shims	N/A
B	Steering Block Position	N/A
1MM	Steering Block Ball & Shims	N/A

**Notes:** Bellcranks mounted to chassis

Suspension Geometry		
2	Shock Position	2
1	Camber Link Position	1
1	Inner Ball & Shims	1
1	Outer Ball & Shims	2
3DOT IN	Outer Arm Mount Insert	3DOT IN
.5MM	Outer Mount Shims	.5MM
1DOT	Inner Arm Mount Insert	1DOT
.5MM	Inner Mount Shims	.5MM
1MM	Droop	2MM
BLUE	Anti-Roll Bar	WHITE

**Notes:**

Shocks		
37.5WT	Fluid	35WT
4X1.1	Piston	4X1.1
0	Rebound	0
2.5-2.8 SMJ	Spring	BLUE

**Notes:** 1MM HOLE DRILL IN SHOCK CAP

Differentials		
SPOOL	Type	GEAR
	Fluid	7000WT
	Diff Weight with Fluid	
MID-LOW	Cam Position	MID-LOW
8	Belt Tension Number	8

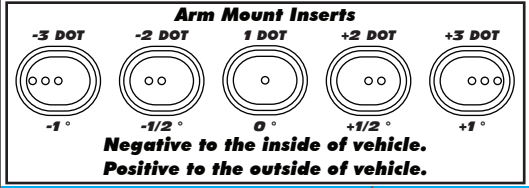
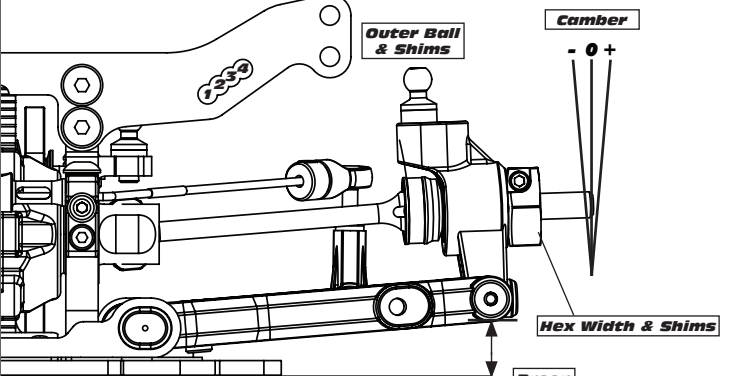
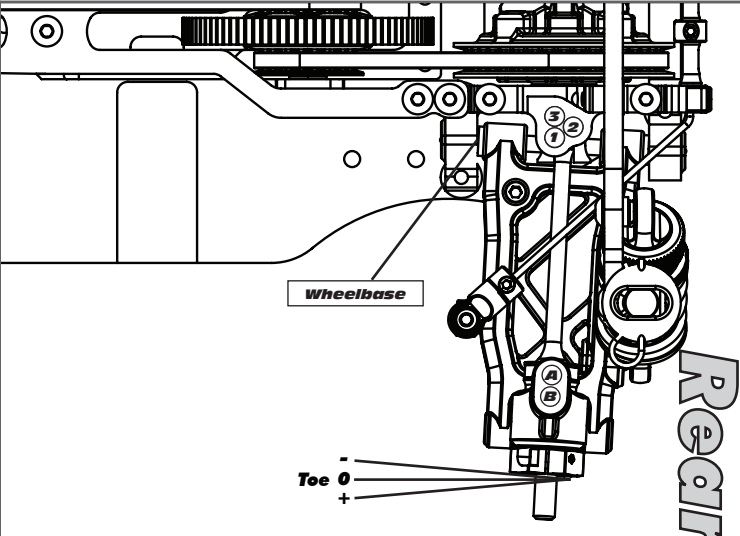
**Notes:**

Tires		
USGT SPEC	Type	USGT SPEC
	Tire Diameter	
	Insert & Wheel	
FULL	Additive & Amount	FULL

**Notes:** TIRE ADDITIVE: RED DOT SXT3.0

Chassis		
Chassis:	ALUMINUM	
Top Plate:	2.5MM, 4 OUTER SCREWS	

**Notes:** 30g of weight under front bumper plate



Transmitter		Speed Control	
Turning Circle:		E.S.C. Type:	REEDY 800Z
Steering Expo:		E.S.C. Settings:	POWER PROFILE 5
Brake E.P. :		Software Version:	
Throttle Expo:		Notes:	

Battery		Body & Wing	
Battery Weight:	329g	PROTOFORM Z/28 Camaro	
Battery Position:	Forward		
Notes:		Notes:	

Motor		Gearing	
21.5 spec		100	/ 48
Notes:		Notes:	