

12R5.2

::Driver: olly jefferies ::Date: 21st jan

::Track: plymouth

::Event: brca rd 4

Setup sheet for Team Associated's 12R5.2

::Front Suspension

Ride height: 3.5

Upper arm mounts: 0° 5° 10°



Camber: °so tyres wear flat Toe: °0

Droop: very little, extra shim under bottom of front spring for preload

Bumpsteer shims: 2mm

King pin lube: black grease

Springs: 18 pre loaded slightly

Front Brace: None Soft Hard

Front width: kit apart from using one wheel shim only

Roll Center

Shims on top of the steering block: kit

Shims between bulkhead and caster block: 2mm

Notes:

::Front Tires

Brand & compound: jaco magenta

Diameter: 40.5

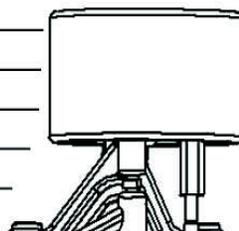
Wheel: jaco

Tire treatment: cs

Treatment time: 10minutes

Surface treated: 3/4

Notes:



::Rear Suspension

Ride height adjuster: 3

Chassis ride height: 3.5

Pod ride height: 3.5

Droop: 1.2mm

Rear width: 171

Shims under pivot: -0.6

Center damper

Brand: ae

Spring: blue

Oil: 25

Position:

High Low

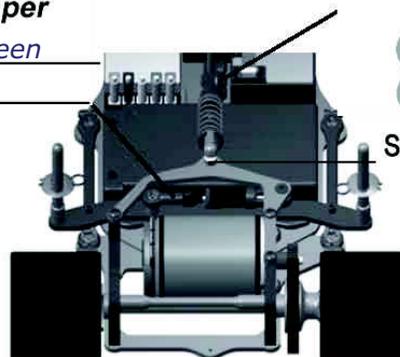
Side damper

Springs: green

Oil: 25



Shims: 3mm



Notes:

::Rear Tires

Brand & compound: jaco magenta

Diameter: 42mm

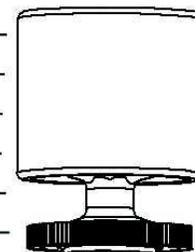
Wheel: jaco

Tire treatment: cs

Treatment time: 20minutes

Surface treated: full

Notes:



::Body

Brand & model: protoform amr lightweight

Notes:

::Track Info

Composition: Asphalt Carpet

Surface: Smooth Bumpy

Traction: High Medium Low

Notes:

::Motor / Battery

Motor: reedy sonic 3.5 Rotor: kit

Timing: 3 mark

Pinion: 25 Spur: 96

Rollout: 0.000

Battery: reedy #600

Plugs position: Front Back

::Speed Control

ESC: lrp sxx v2 firmware 1.7

Setting: 0864

::Transmitter

Turning Circle: 1.5 feet

Steering Expo: -15

Brake E.P.: 0

Throttle Expo: 0

Notes: