

Front	Alignment	Rear
5.2	Ride Height	5.2
2	Camber	2
6	Caster	N/A
N/A	Rear Hub Toe	0
0	Toe (Total)	3
0	Hex Spacing	0
1	Wheelbase	2
7b	Steering Bellcrank	N/A
2b	Steering Link	N/A
silver 2mm	Bumpsteer	N/A

Notes:

Suspension Geometry		
5b	Shock Position	3b
1	Camber Link Position	3
silver 1mm	Outer Ball & Shims	black 3mm
a3	FWD Arm Mount	b2
2mm	FWD Mount Shim	1mm
b0	RWD Arm Mount	b2
2mm	RWD Mount Shims	3.5mm
7	Drop	6
silver	Anti-Roll Bar	black

Notes:

Shocks		
35	Oil	35
2	Piston	2
0	Rebound	0
silver	Spring	silver

Notes:

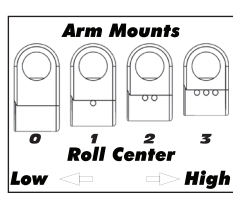
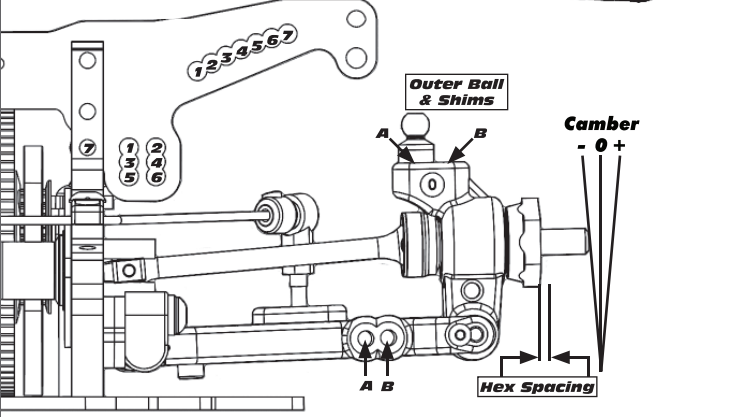
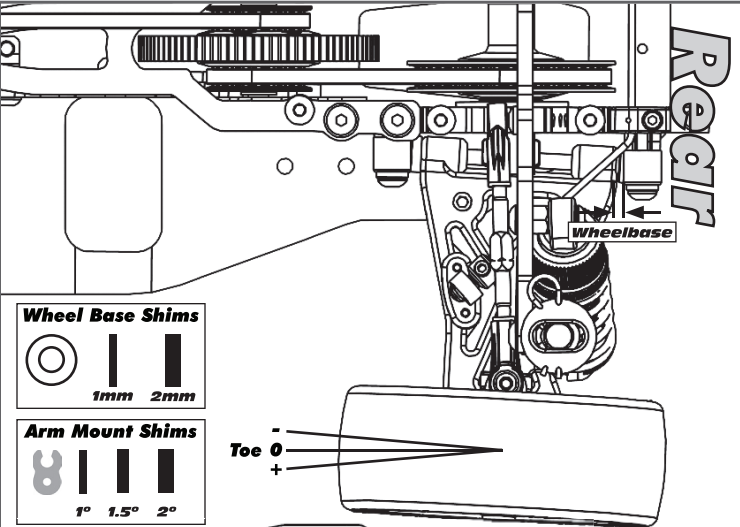
Differentials		
spool	Type	gear diff
	Setting	80 shock oil
a	Cam Holder	a
5	Belt Tension Number	12

Notes:

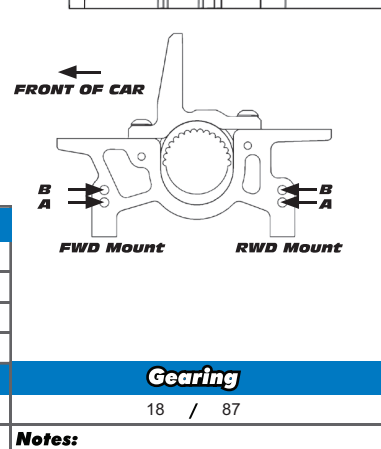
Tires		
sorex 28jb	Type	sorex28jb
	Tire Diameter	
	Insert & Wheel	
lrp 2	Additive & Amount	lrp2

Notes:

Chassis		
	Chassis:	stock
	Top Plate:	stock

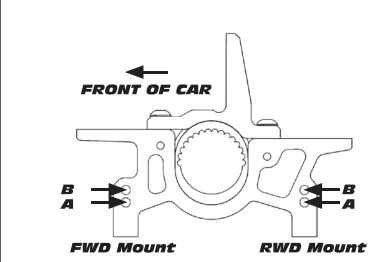


Transmitter	
Turning Circle:	100%
Steering Expo:	-15
Brake E.P. :	0
Throttle Expo:	0
Motor	
lrp 4.5	
Notes:	0000 timing



Notes:

Gearing	
18 / 87	



Notes:

Speed Control	
Type:	lrp sxx v2
Settings:	0114
Body & Wing	
	litr lgght weight
Notes:	mr33 wing

Notes:

Battery Placement	
	reedy
Notes:	back