

TC6 Team Setup Sheet

Reset Form

Driver: Jorge Simoes

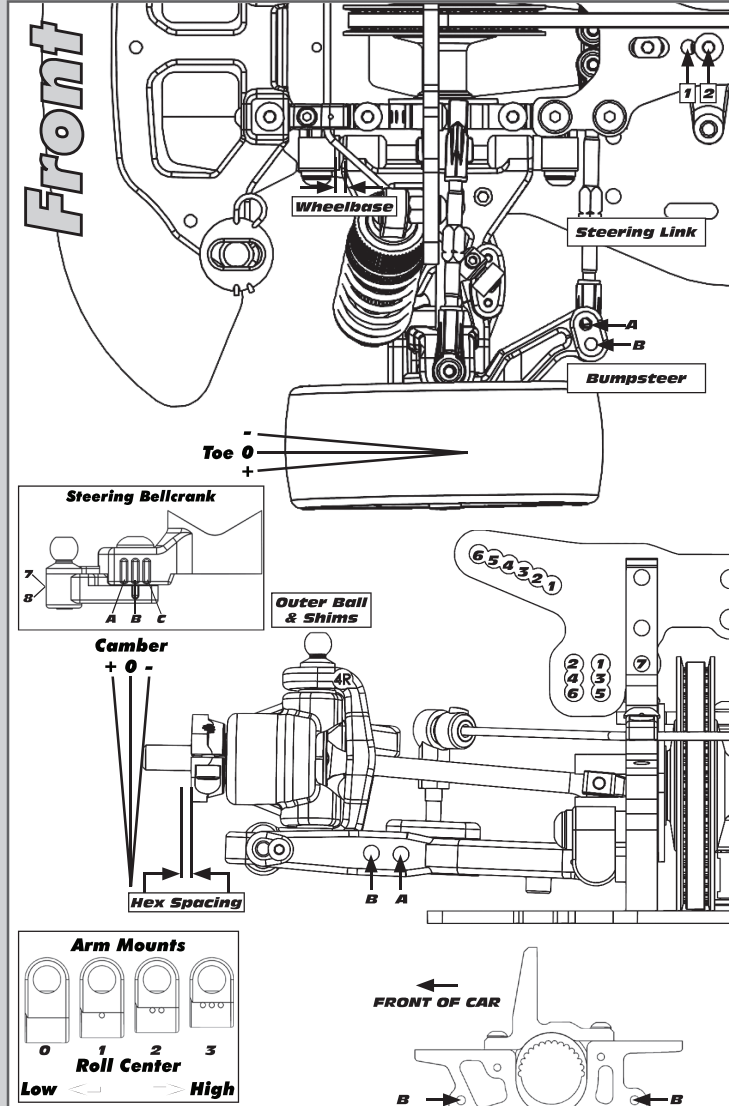
Date: 27/03/2011

Track: AAC

Event: EP Portuguese Nationals

Conditions: Medium Traction

Rev: 1



Transmitter	
Turning Circle:	18
Steering Expo:	50%
Brake E.P. :	70%
Throttle Expo:	0

Motor	Gearing
GM PRO 13.5T	72 / 35

Notes:

Front	Alignment	Rear
5	Ride Height	5.5
1.5	Camber	1.5
4	Caster	N/A
N/A	Rear Hub Toe	0
0.5	Toe (Total)	3
0.5	Hex Spacing	0.5
2	Wheelbase	2
7b	Steering Bellcrank	N/A
2b	Steering Link	N/A
1mm	Bumpsteer	N/A

Notes:

Suspension Geometry		
5	Shock Position	4
7	Camber Link Position	7b
1mm	Outer Ball & Shims	3mm
a3	FWD Arm Mount	b0
2mm	FWD Mount Shim	1mm
b0	RWD Arm Mount	b0
2mm	RWD Mount Shims	3.5mm
6	Droop	5
black	Anti-Roll Bar	black

Notes:

Shocks		
MM550	Oil	MM450
2	Piston	2
0	Rebound	0
Asso Blue	Spring	Asso Silver

Notes:

Differentials		
Slipper Spool	Type	Dif Gear
800 wet n dry	Setting	1000 cst
a	Cam Holder	a
5	Belt Tension Number	12

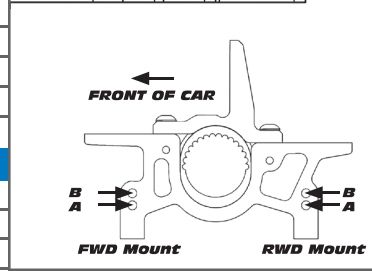
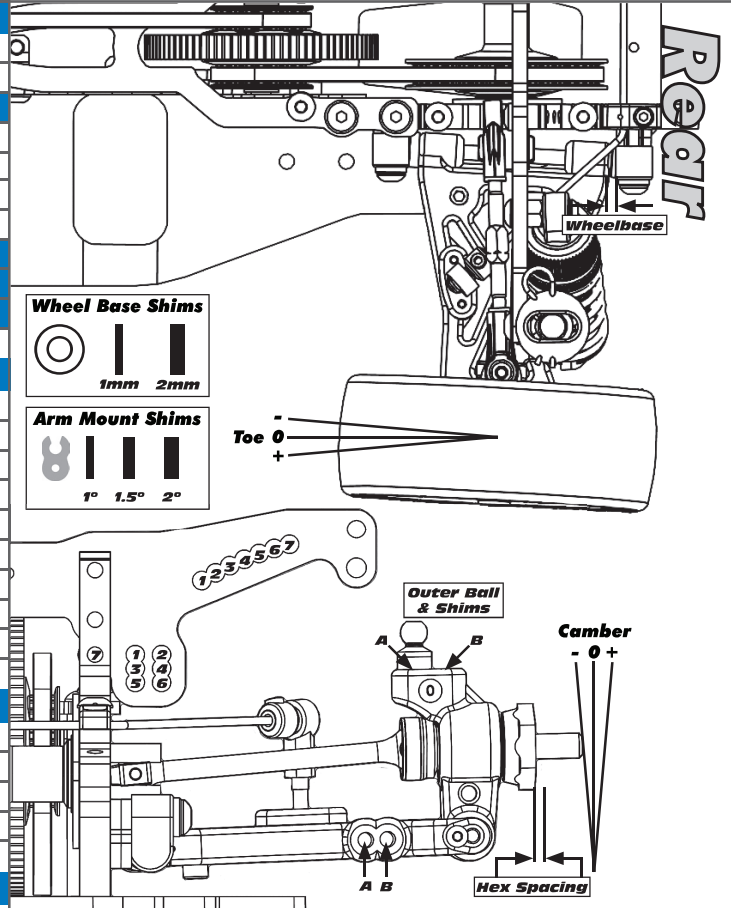
Notes:

Tires		
CT CN PT	Type	CT CN PT
	Tire Diameter	
	Insert & Wheel	
	Additive & Amount	

Notes:

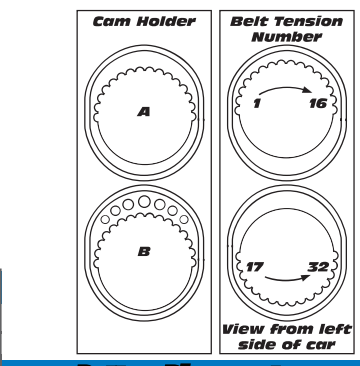
Chassis	
Chassis:	std
Top Plate:	std

Notes:



Speed Control	
Type:	GM 75
Settings:	

Notes:



Notes: