

TC6 FACTORY Team Setup Sheet

Reset Form

Driver: Andrew Abbott

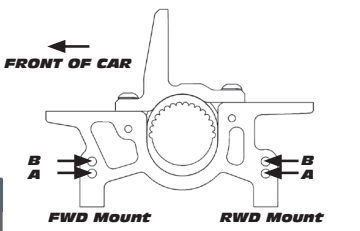
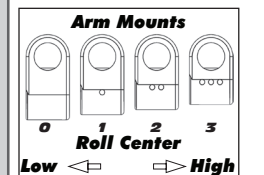
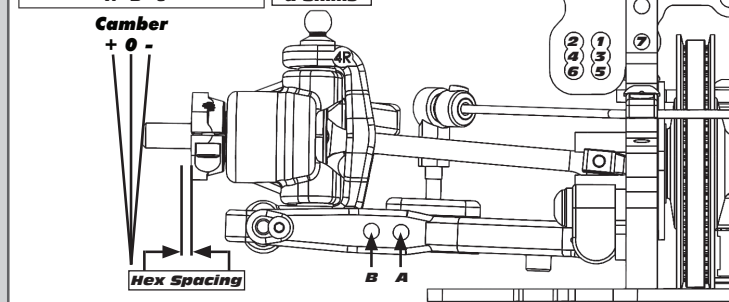
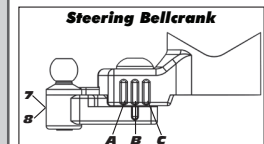
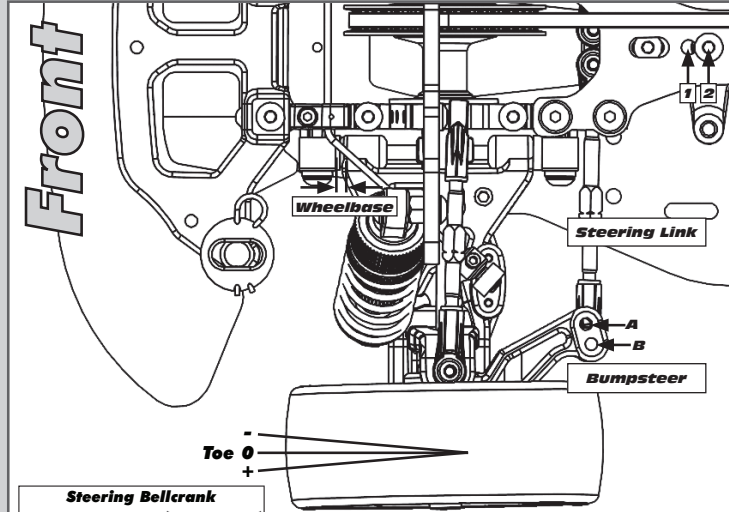
Date: 16/01/2011

Track: Fairy Meadow, NSW

Event: Summer Nats

Conditions: Asphalt- med traction

Rev.1



Front	Alignment	Rear
5.3mm	Ride Height	5.8mm
-1.5 deg	Camber	-2.0 deg
6.0 deg	Caster	N/A
N/A	Rear Hub Toe	0.0 deg
+1.0 deg	Toe (Total)	-3.0 deg
0	Hex Spacing	0
2.0 mm	Wheelbase	1.0 mm
7A	Steering Bellcrank	N/A
2B	Steering Link	N/A
0mm black	Bumpsteer	N/A

Notes:

Suspension Geometry		
2B	Shock Position	4B
7	Camber Link Position	7A
1.0 mm silver	Outer Ball & Shims	2.0 mm Silver
0B	FWD Arm Mount	0B
1.0 mm	FWD Mount Shim	1.0 mm
0B	RWD Arm Mount	0B
1.0 mm	RWD Mount Shims	3.5 mm
5.5	Droop	5.0
black	Anti-Roll Bar	black

Notes:

Shocks		
45	Oil	40
Losi Red	Piston	Losi Red
40%	Rebound	40%
HPI Silver	Spring	HPI Blue

Notes:

Differentials		
Spool	Type	RSpec Gear
x	Setting	1000cst
A	Cam Holder	A
23	Belt Tension Number	8

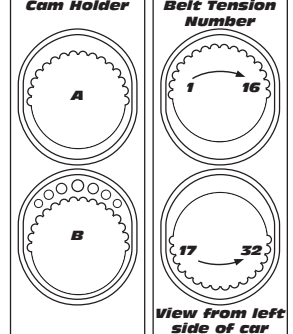
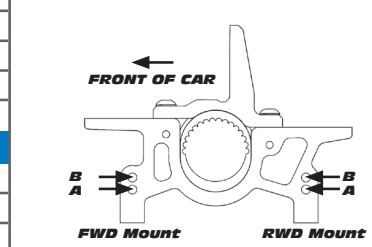
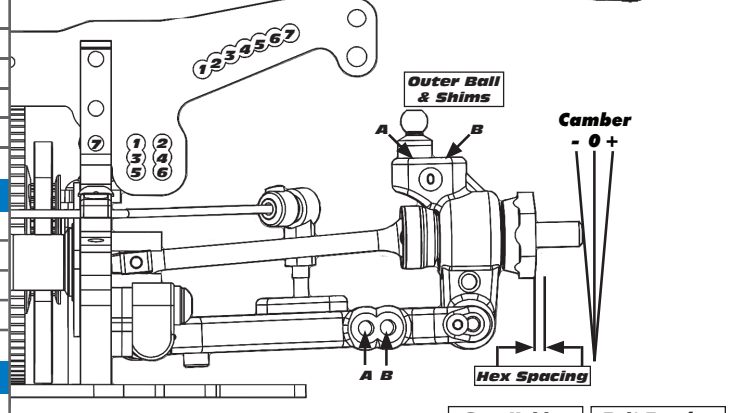
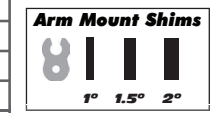
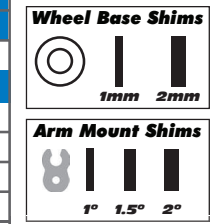
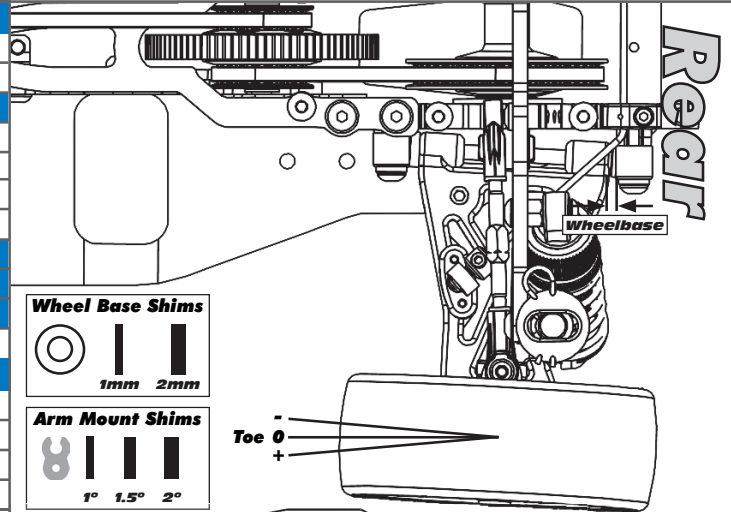
Notes:

Tires		
Nosram 30X	Type	Nosram 30X
-	Tire Diameter	-
Control Premount	Insert & Wheel	Control Premount
FX2	Additive & Amount	FX2

Notes:

Chassis	
Chassis	Std
Top Plate	Std

Notes: 1425g minimum weight



Notes:

Speed Control	
E.S.C. Type:	LRP SXX TC Ver. 2
E.S.C. Settings:	3-3-3-1

Body & Wing	
Body & Wing	Protoform Mazda Speed 6 LW

Notes:

Transmitter	
Turning Circle:	
Steering Expo:	
Brake E.P. :	
Throttle Expo:	
Motor	Gearing
LRP X12 5.0 OCTA	21 / 87

Notes:

Notes:

Battery Placement	
Battery Placement	Back

Notes:

For more setups, visit RC10.com and click on "Racing"