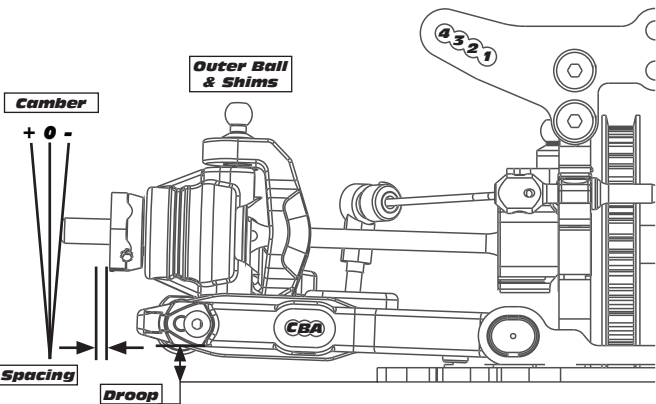
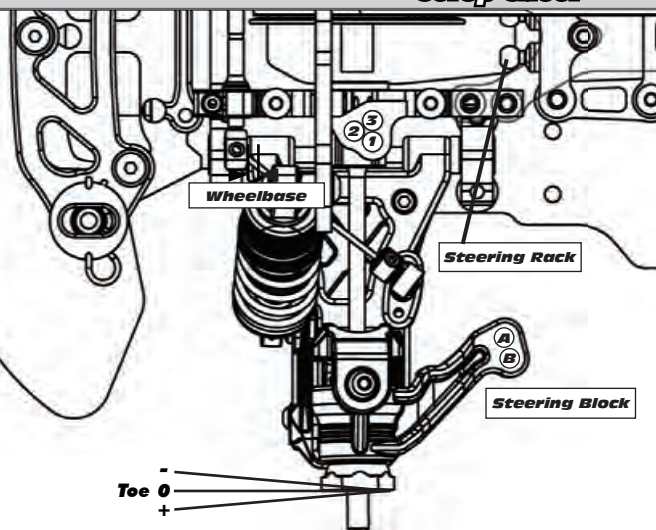
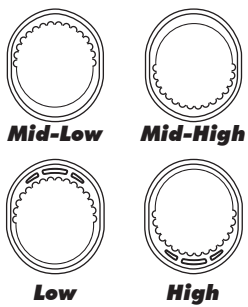


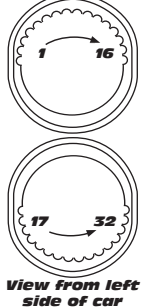
Front



Cam Position



Belt Tension Number



Motor

Gearing

Notes:

Notes:

Front	Alignment	Rear
	Ride Height	
	Camber	
	Caster	N/A
N/A	Rear Hub Toe	
	Toe (Total)	
	Hex Spacing	
	Wheelbase	
	Steering Rack	N/A
	Ball & Shims	N/A
	Steering Block Position	N/A
	Steering Block Ball & Shims	N/A

Notes:

Suspension Geometry

Shock Position
Camber Link Position
Inner Ball & Shims
Outer Ball & Shims
Outer Arm Mount Insert
Outer Mount Shims
Inner Arm Mount Insert
Inner Mount Shims
Droop
Anti-Roll Bar

Notes:

Shocks

Oil
Piston
Rebound
Spring

Notes:

Differentials

Type
Setting
Cam Position
Belt Tension Number

Notes:

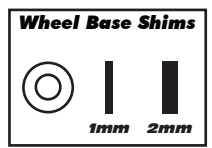
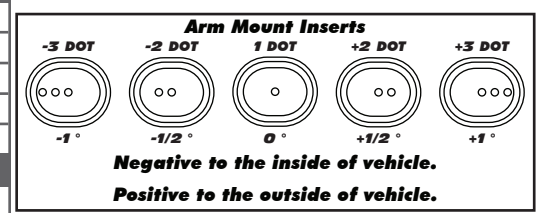
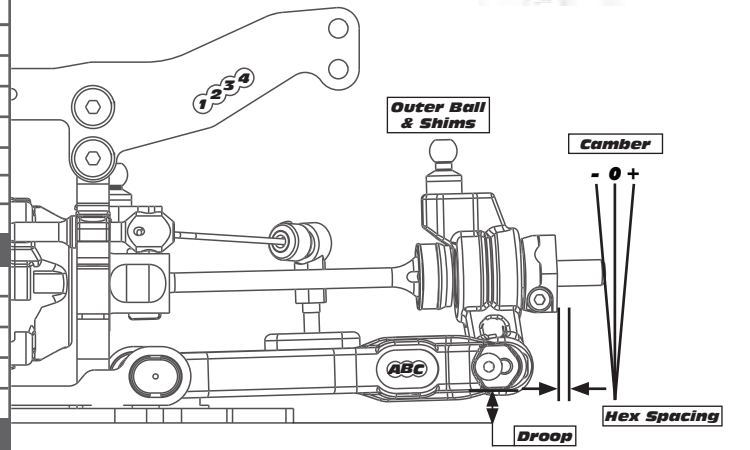
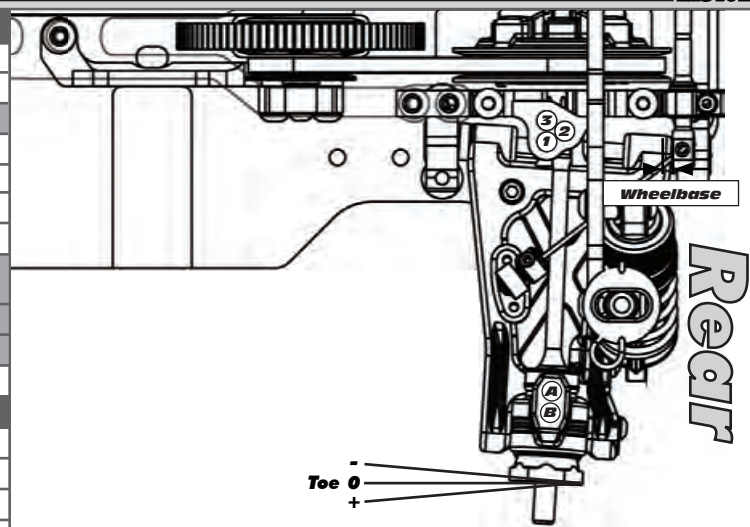
Tires

Type
Tire Diameter
Insert & Wheel
Additive & Amount

Notes:

Chassis

Chassis:
Top Plate:
Notes:



Transmitter	Speed Control
Turning Circle:	E.S.C. Type:
Steering Expo:	E.S.C. Settings:
Brake E.P. :	Software Version:
Throttle Expo:	Notes:
Battery Placement	Body & Wing
Notes:	Notes: