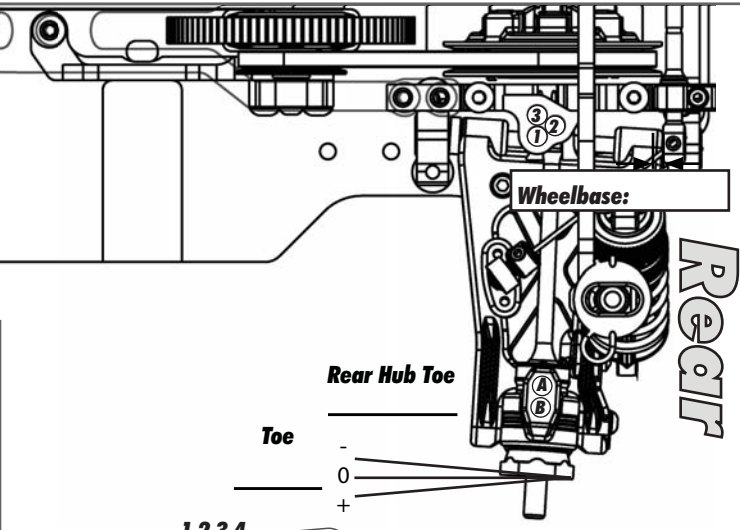
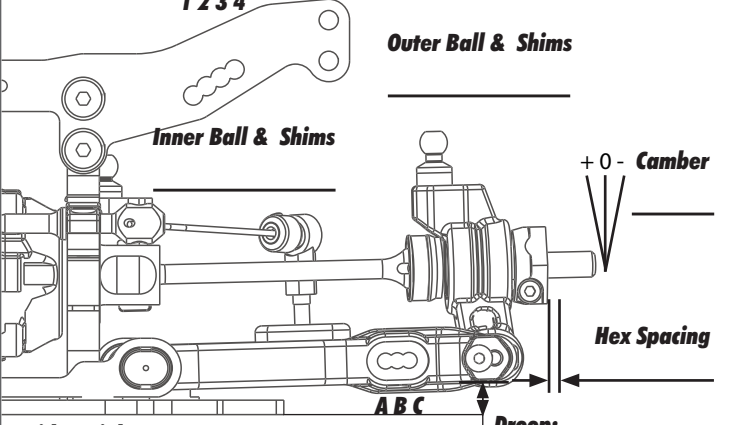


Front	Suspension Geometry	Rear
	Outer Arm Mount Insert	
	Outer Mount Shims	
	Inner Arm Mount Insert	
	Inner Mount Shims	
	Anti-Roll Bar	

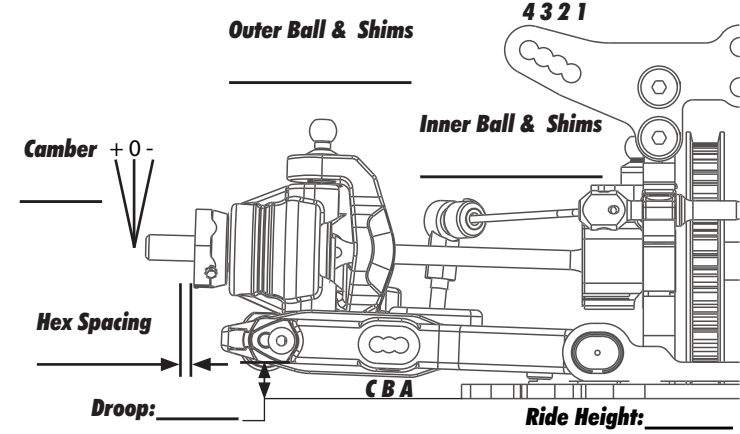


Shocks		
	Oil	
	Piston	
	Rebound	
	Spring	



Differentials		
	Type	
	Setting	
	Cam Position	
	Belt Tension Number	

Inside of vehicle	Arm Mount Inserts	Outside of vehicle	Wheel Base Shims
-3 DOT -1°	-2 DOT -1/2°	1 DOT 0°	+2 DOT +1/2°
			+3 DOT +1°
			1mm 2mm



Cam Position	Belt Tension Number
<p>Low Mid-Low Mid-High High</p>	<p>View from left side of car</p>

Chassis	Top Plate
Motor	Gearing
	/

Tires		
	Type	
	Tire Diameter	
	Insert & Wheel	
	Additive & Amount	

Transmitter	Speed Control
Turning Circle:	E.S.C. Type:
Steering Expo:	E.S.C. Settings:
Brake E.P.:	Software Version:
Throttle Expo:	

Battery & Placement	Body & Wing