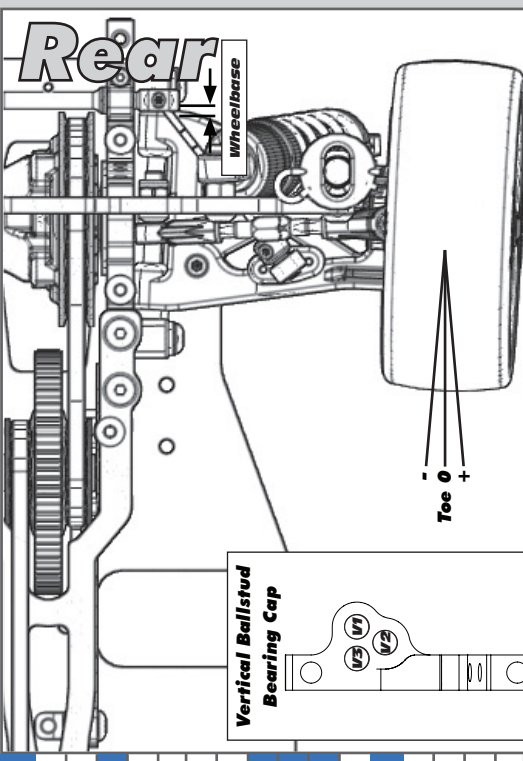
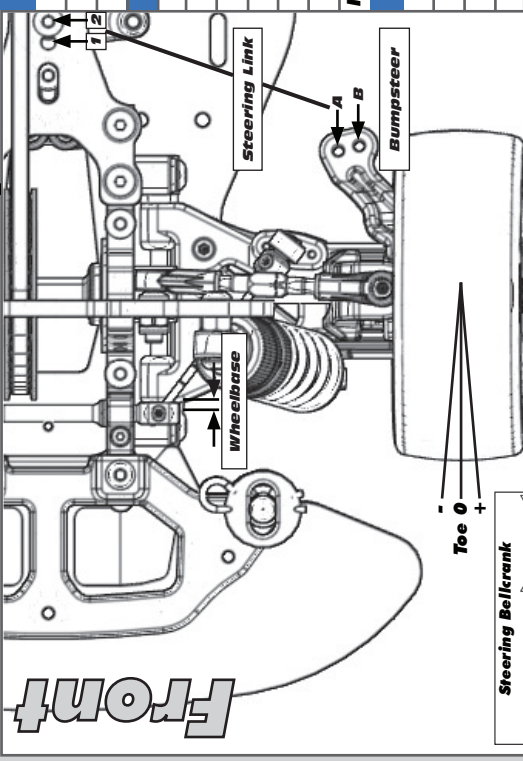


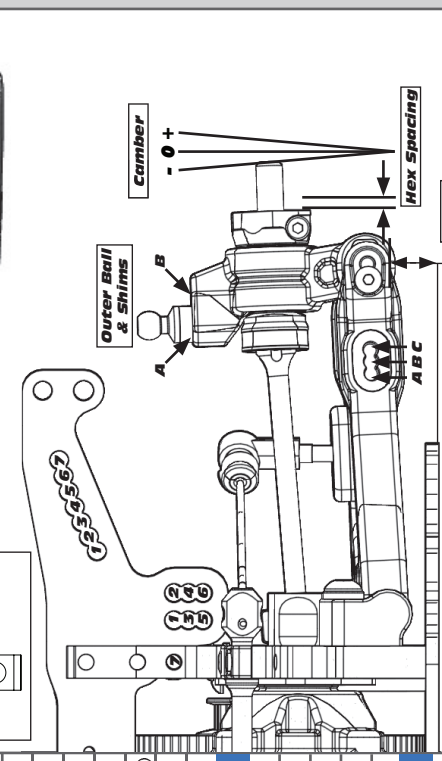
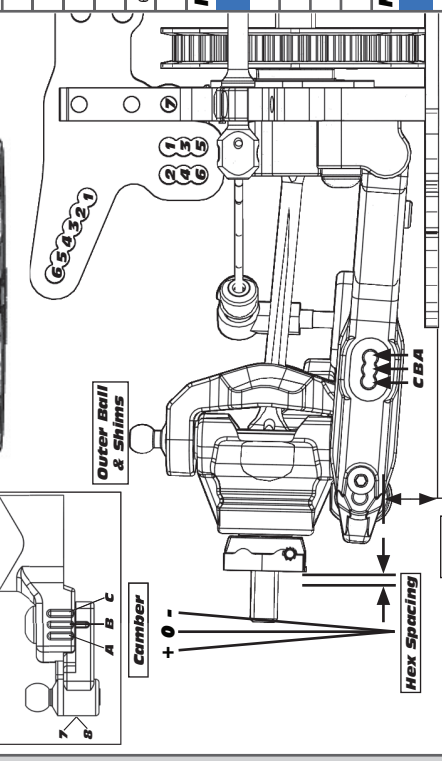
**Tracks:** ILC 2012 **Conditions:** high bite carpet



Front	Alignment	Rear
5.0mm	<b>Ride Height</b>	5.2mm
-2 deg	<b>Camber</b>	-1.5 deg
6 deg	<b>Caster</b>	N/A
N/A	<b>Rear Hub Toe</b>	0 deg
1 deg out	<b>Toe (Total)</b>	3.25 deg
.5mm	<b>Hex Spacing</b>	0
1mm	<b>Wheelbase</b>	1mm
7A	<b>Steering Bellcrank</b>	N/A
2B	<b>Steering Link</b>	N/A
tall BS	<b>Bumpsteer</b>	N/A

**Notes:**

Suspension Geometry	
3C	<b>Shock Position</b> 3C
V1	<b>Camber Link Position</b> V1A
short bs +2mm	<b>Inner Ball &amp; Shims</b> tall + 1mm
tall + 1mm	<b>Outer Ball &amp; Shims</b> tall + 2mm
3A offset	<b>FWD Arm Mount</b> 0B
1mm	<b>FWD Mount Shim</b> 0.5mm
0B offset	<b>RWD Arm Mount</b> 0B offset
.5mm	<b>RWD Mount Shims</b> 1.25mm
6.5 (1.5mm up travel)	<b>Droop</b> 6.0 (2.0mm up travel)
blue	<b>Anti-Roll Bar</b> white



100%	<b>Transmitter</b>
100%	<b>Turning Circle:</b>
-5%	<b>Steering Expo:</b>
80%	<b>Brake E.P. :</b>
0%	<b>Throttle Expo:</b>
LRP5.0 x20	<b>Motor</b>
28 / 115	<b>Gearing</b>
flow	<b>Speed Control</b>
S.W. Ver.	<b>E.S.C. Settings:</b>
0%	<b>E.S.C. Type:</b>

gear	<b>Type</b>
AE 50wt	<b>Setting</b>
Mid Low	<b>Cam Holder</b>
-	<b>BelT Tension Number</b>
Dual Joint front	<b>Notes:</b>
Jaco Blue	<b>Tires</b>
-	<b>Type</b>
Jaco Blue	<b>Tire Diameter</b>
-	<b>Insert &amp; Wheel</b>
Jack	<b>Additive &amp; Amount</b>
Jack	<b>Notes:</b>
2.25 World	<b>Chassis</b>
2.25 stiff graphite	<b>Top Plate</b>
Ready #601	<b>Notes:</b>
Protoform Speed 6 lw	<b>Body &amp; Wing</b>