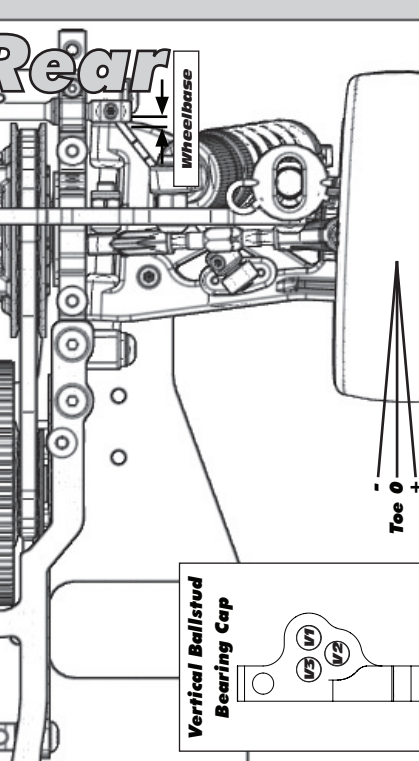
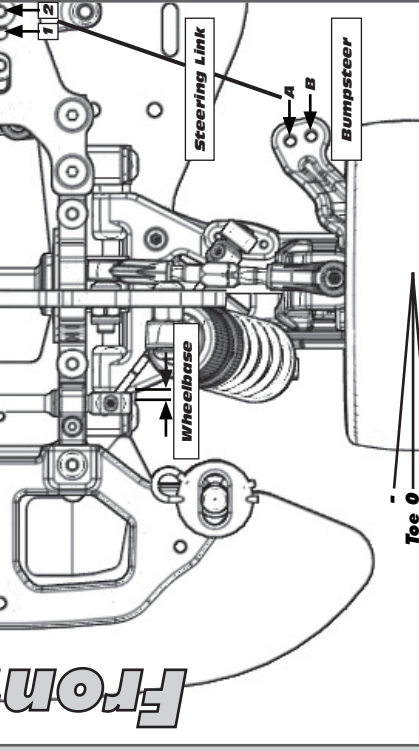


Tracks: IIC 2012 **Conditions:** high bite carpet



Front	Alignment	Rear
5.0mm	Ride Height	5.2mm
-2 deg	Camber	-2 deg
6 deg	Caster	N/A
N/A	Rear Hub Toe	0 deg
1 deg out	Toe (Total)	3.25 deg
.5mm	Hex Spacing	0
1mm	Wheelbase	1mm
7A	Steering Bellcrank	N/A
2B	Steering Link	N/A
tall BS	Bumpsteer	N/A



Notes:

Suspension Geometry

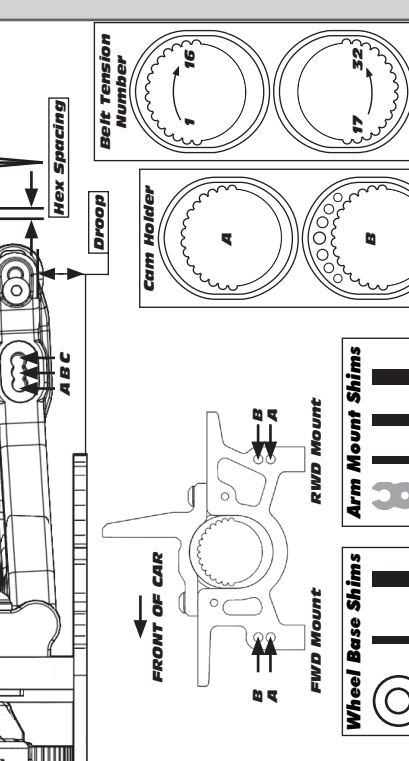
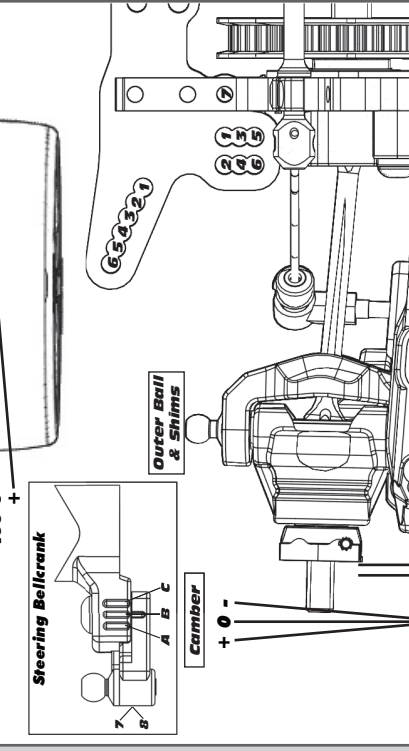
3C	Shock Position	3C
V1	Camber Link Position	V1A
short bs +2mm	Inner Ball & Shims	tall + 1mm
tall + 1mm	Outer Ball & Shims	tall + 2mm
3A offset	FWD Arm Mount	0B
.5mm	FWD Mount Shim	1mm
0B offset	RWD Arm Mount	0B offset
.5mm	RWD Mount Shims	1.75mm
6.5 (1.5mm up travel)	Droop	6.0 (2.0mm up travel)
yellow	Anti-Roll Bar	Blue/white

Notes:

AE 45	Shocks	gear
1.2mm 3holes	Oil	AE 50wt
10 %	Piston	Mid Low
Yokomo pink	Rebound	-
tamiya shocks	Spring	Jaco Blue

Differentials

Spool	Type	gear
Mid Low	Setting	AE 50wt
	Cam Holder	Mid Low
	Belts Tension Number	-

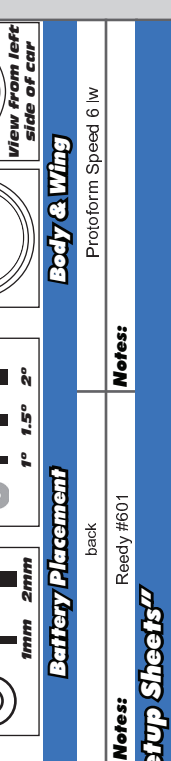
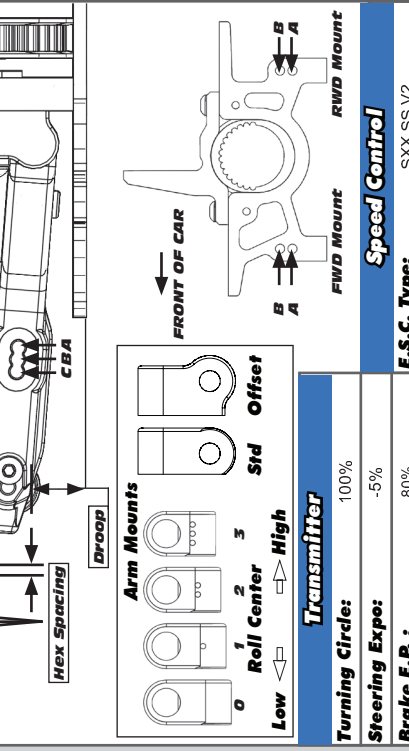


Notes:

Jaco Blue	Tires	Dual Joint front
Jaco Blue	Type	Jaco Blue
Jaco	Tire Diameter	-
Jaco	Insert & Wheel	Jack
Jack	Additive & Amount	Jack

Notes:

2.25 World	Chassis	2.25 World
2.25 stiff graphite	Top Plate	2.25 stiff graphite



Notes:

100%	Turning Circle:	100%
-5%	Steering Expo:	-5%
80%	Brake E.P. :	80%
0%	Throttle Expo:	0%

Motor

Ready 13.5	Motor	Ready 13.5
43 / 96	Gearing	43 / 96
Blinky	Notes:	Blinky



Notes: back Ready #601 Protoform Speed 6 lw