

Front	Alignment	Rear
5.5mm	Ride Height	6.0mm
-1.0°	Camber	-1.5°
4°	Caster	N/A
N/A	Rear Hub Toe	0°
+ 1°	Toe (Total)	-3.0°
-	Hex Spacing	-
1mm	Wheelbase	2mm
1A	Steering Link	N/A
silver + 3	Bumpsteer	N/A

Notes:

Suspension Geometry		
2B	Shock Position	3B
3	Camber Link Position	3A
black + 0mm	Outer Ball & Shims	black + 2mm
2A	FWD Arm Mount	2A
-	FWD Mount Shims	-
2A	RWD Arm Mount	2A
-	RWD Mount Shims	3mm
6	Droop	5
1.50mm	Anti-Roll Bar	1.25mm

Notes: All hard Plastic Parts

Shocks		
LRP 45 wt	Oil	LRP 40 wt
#56	Piston	#56
-	Rebound	-
blue	Spring	blue

Notes: No rebound Foam

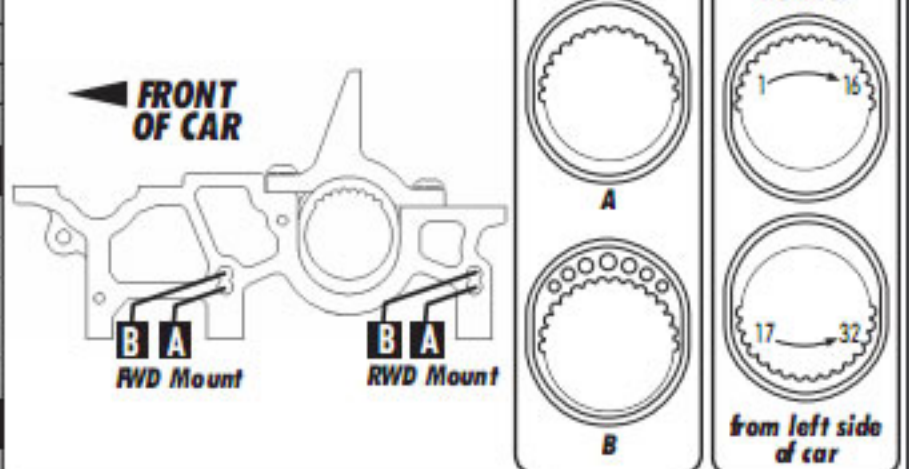
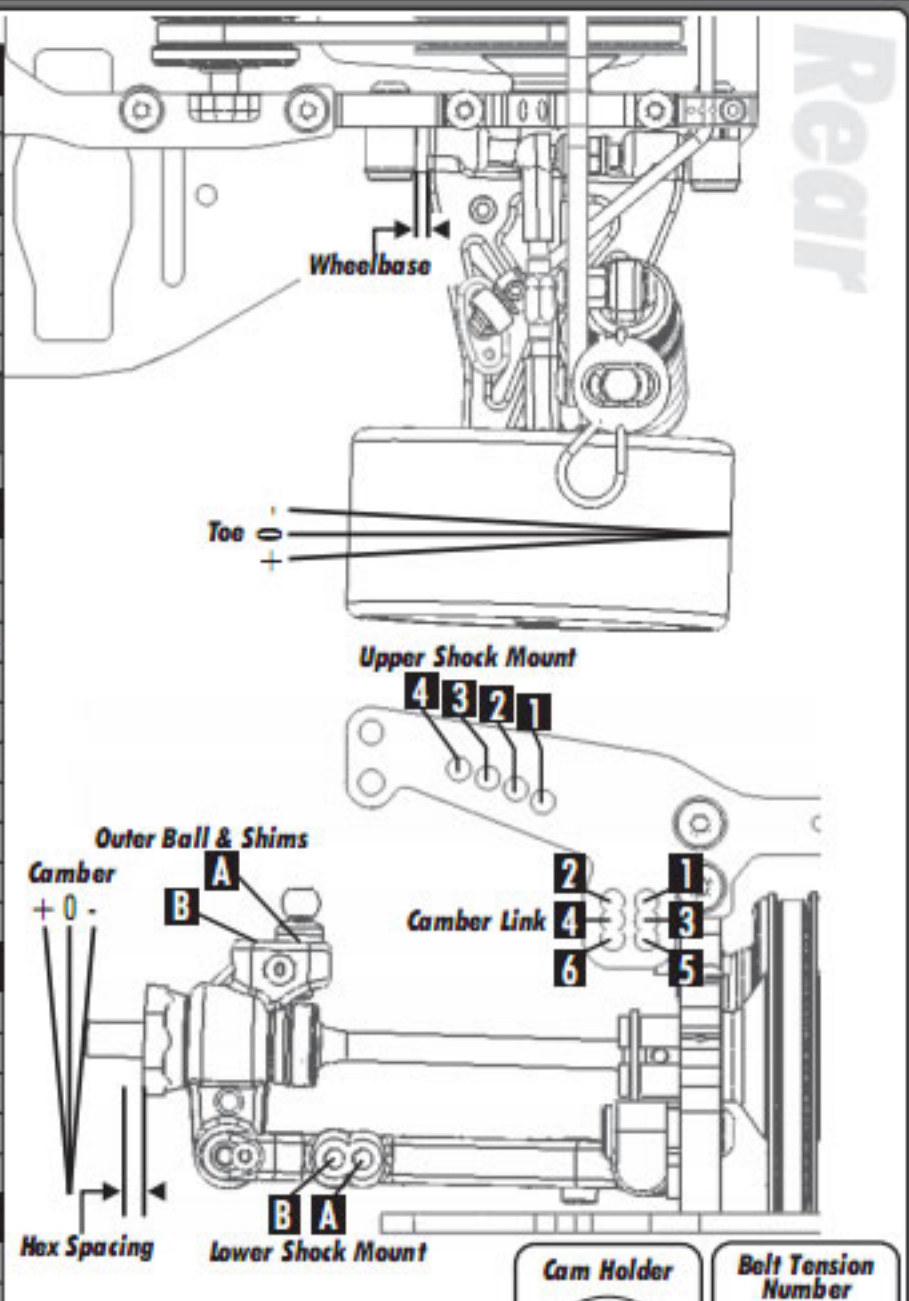
Differentials		
Spool	Type	Alum.Diff
-	Setting	loose 1/8
A	Cam Holder	A
4	Belt Tension Number	12

Notes:

Tires		
CS-27	Tire	CS-27
-	Tire Diameter	-
Hand out	Insert & Wheel	Hand out
-	Additive & Amount	-

Notes:

Chassis		
Chassis: ITF		
Top Plate: ITF		
Notes: Front+Rear Bulkhead cut		



Transmitter	
Turning Circle: D/R 100%	
Steering Expo: -50	
Brake E.P. : 82	
Throttle Expo: -	
Speed Control	
S.C. Type: LRP TC Spec	
S.C. Settings: 2.4.0.1	

Motor	Gear	Notes
LRP X11 3.5T / 12.5	28 / 12C	Timing 2°

Body & Wing
PF Mazda 6 / orig.

Battery
LRP V-Tec 4600 Hv2